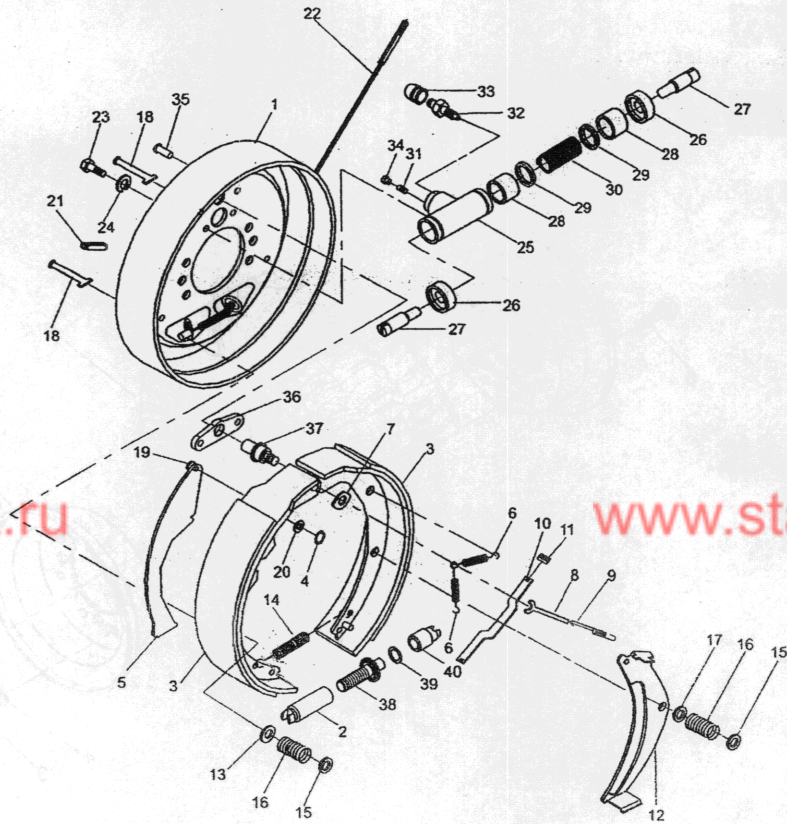


FD10,15,18(T)-MG
 FG(L)10,15,18(T)-MG
 FG(L)10,15,18(T)-MW



序号 Item No	图号 Part No	零部件名称 Description	件数 Q'ty	备注 Remark
A	M1533005000	Wheel brake ass'y(L.H.)	1	制动器总成(左)
-	M1533006000	Wheel brake ass'y(R.H.)	1	制动器总成(右)
01	M1533006001	Back plate	1	制动器底板
02	M1533006002	Adjuster cover	1	间隙调整套
03	M1533006003	Brake shoe	2	摩擦片总成
04	M1533006004	Spring shim	1	弹性垫片
05	M1533006005	Lever LH brake	1	手制动拉杆
06	M1533006006	Spring,shoe return	2	回位弹簧
07	M1533006007	Plate,shoe guide	1	垫片
08	M1533006008	Stooper,pole lever	1	顶杆
09	M1533006009	Spring,actuator	1	回位弹簧
10	M1533006010	Strut	1	手制动推杆
11	M1533006011	Spring	1	压缩弹簧
12	M1533006012	LeverL.H pole	1	调整杠杆
13	M1533006013	Washer ,cup	3	压簧座
14	M1533006014	Spring	1	弹簧
15	M1533006015	Washer ,cup	4	压簧盖
16	M1533006016	Spring	4	弹簧
17	M1533006017	Washer ,cup	1	压簧座
18	M1533006018	Pin,shoe hold	4	压簧拉杆
19	M1533006019	Pin,lever	1	支撑销
20	M1533006020	Shim	1	垫片
21	M1533006021	Plug,rubber	1	胶堵
22	M1533005300	CableL.H	1	制动钢索总成(左)
-	M1533005400	CableR.H	1	制动钢索总成(右)
23	GB5783-86	Bolt	2	螺栓M8×16



轮式制动器/WHEEL BRAKE

序号 Item No	图号 Part No	零部件名称 Description	件数 Q'ty	备注 Remark
24	GB93-87	Washer, lock	2	垫圈8
B	M3033005500	Wheel cylinder ass'y (Lnc.25-34)	1	制动分泵总成
25	M3033005501	Body	1	制动分泵缸
26	M3033005502	Cover, dust	2	制动分泵护罩
27	M3033005503	Rod, piston	2	制动分泵活塞顶杆
28	M1533005504	Piston	2	活塞
29	M3033005505	Cup, Piston	2	分泵皮碗
30	M3033005506	Spring	1	制动分泵弹簧
31	M3033005507	Seat tube	1	制动分泵油塞
32	M3033005508	Screw, bleader	1	制动分泵放气螺钉
33	M3033005509	Cap, screw	1	分泵放气螺钉护罩
34	M1533005510	Cap, dust	1	防尘盖
35	M1533005511	Rivet	2	铆钉
36	M1533005512	Plate	1	垫板
37	M1533005513	Pin	1	支撑销
38	M1533005514	Adjuster bolt	1	间隙调整螺栓
39	M1533005515	Washer	1	垫圈10
40	M1533005516	Adjuster staff	1	间隙调整杆

FD10,15,18(T)-MG
 FG(L)10,15,18(T)-MG
 FG(L)10,15,18(T)-MW

