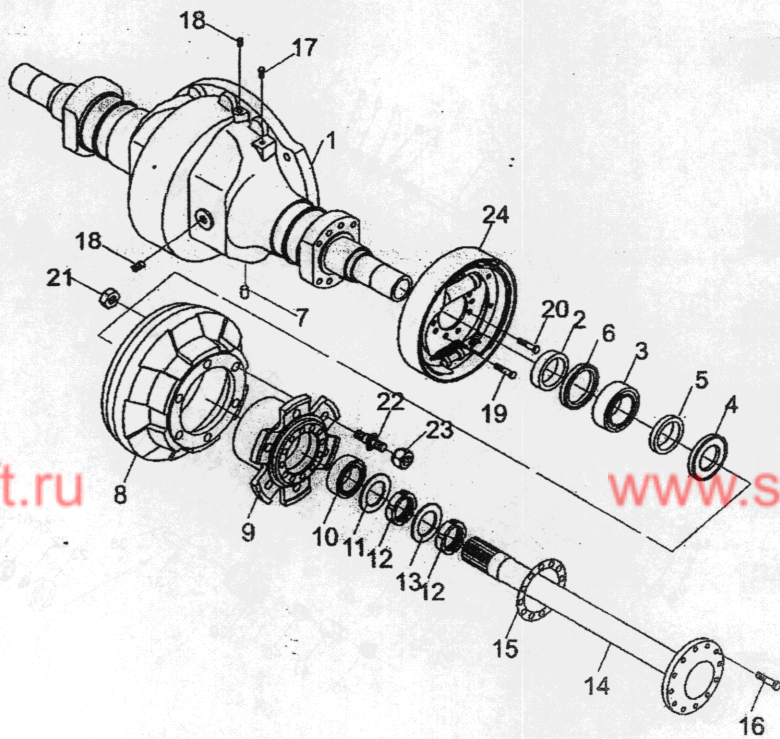


驱动桥/DRIVE AXLE

FD10,15,18(T)-MW
 FD10,15,18(T)-MG
 FG(L)10,15,18(T)-MG
 FG(L)10,15,18(T)-MW



序号 Item No	图号 Part No	零部件名称 Description	件数 Q'ty	备注 Remark
01	M1533000002	Housing, axle	1	桥壳
02	M1533005002	Retainer, oil seal	2	油封挡圈
03	M1533005005	Seal, oil	2	U型密封圈FB100×125×120
04	M1533005003	Retainer	2	挡油圈
05	M1533005004	Washer	2	备用垫
06	GB297-94	Bearing	2	轴承30214E
07	GB119-86	Pin	1	销B10×30
08	M1533001000	Drum, brake	2	制动鼓
09	M1533003000	Hub, front	2	轮毂
10	M1533001001	Seal, oil ass'y	2	轴承油封总成
11	GB/T810-1988	Packing	2	垫
12	GB810-88	Nut	4	螺母M60×2
13	GB858-88	Washer	2	垫圈60
14	M1533000004	Shaft, drive	2	半轴
15	M1533000005	Packing	2	半轴垫
16	GB5786-86	Bolt	24	螺栓
17	M1533000006	Breather, air	1	通气塞
18	M3033000007	Flug	3	塞
19	M1533000008	Bolt	12	螺栓
20	M1533000009	Bolt	4	螺栓
21	GB6171-86	Nut	12	螺母M20×1.5
22	M1533003001	Bolt	12	螺栓柱
23	M3033003002	Nut	12	球螺母
24	M1533005000	Wheel brake	2	制动器总成



驱动轮/DRIVE WHEEL(SINGLE TIRE)

序号 Item No	图号 Part No	零部件名称 Description	件数 Q'ty	备注 Remark
A	M1533300000	Front wheel	2	车轮
01	M1533301000	Rim, outside	2	外轮辋
02	M1533302000	Rim, inside	2	内轮辋
03	GB6170-86	Nut	12	螺母M16
04	GB93-87	Washer, lock	12	垫圈16
05	GB5782-86	Bolt	12	轮辋螺栓
06	6.50-10-10PR	Tire	2	轮胎

FD10,15,18(T)-MW
 FD10,15,18(T)-MG
 FG(L)10,15,18(T)-MG
 FG(L)10,15,18(T)-MW

