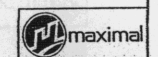
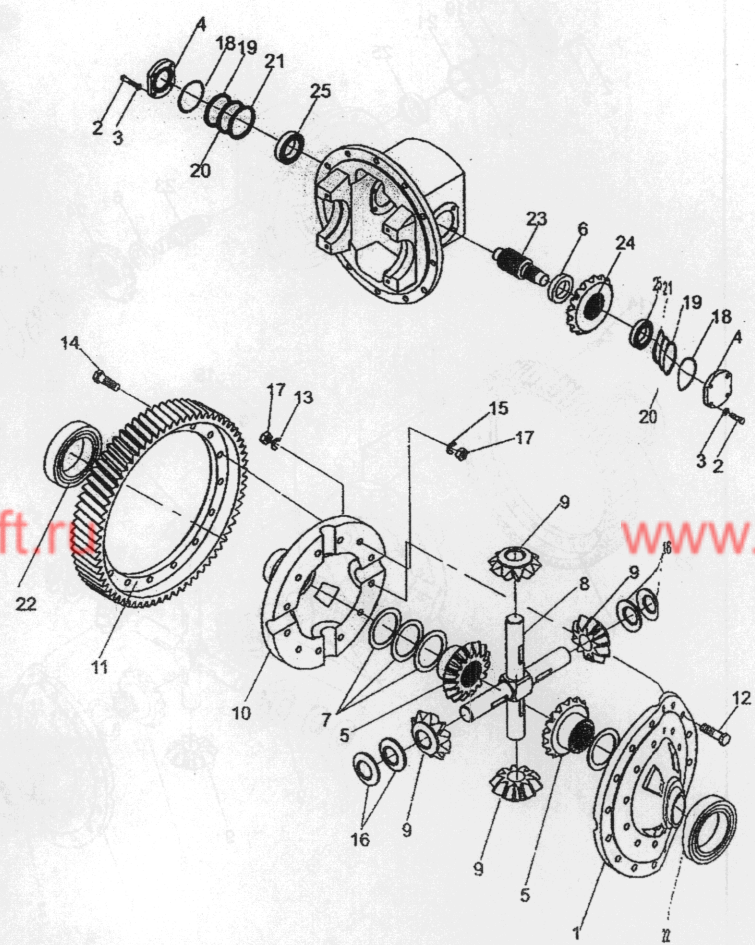


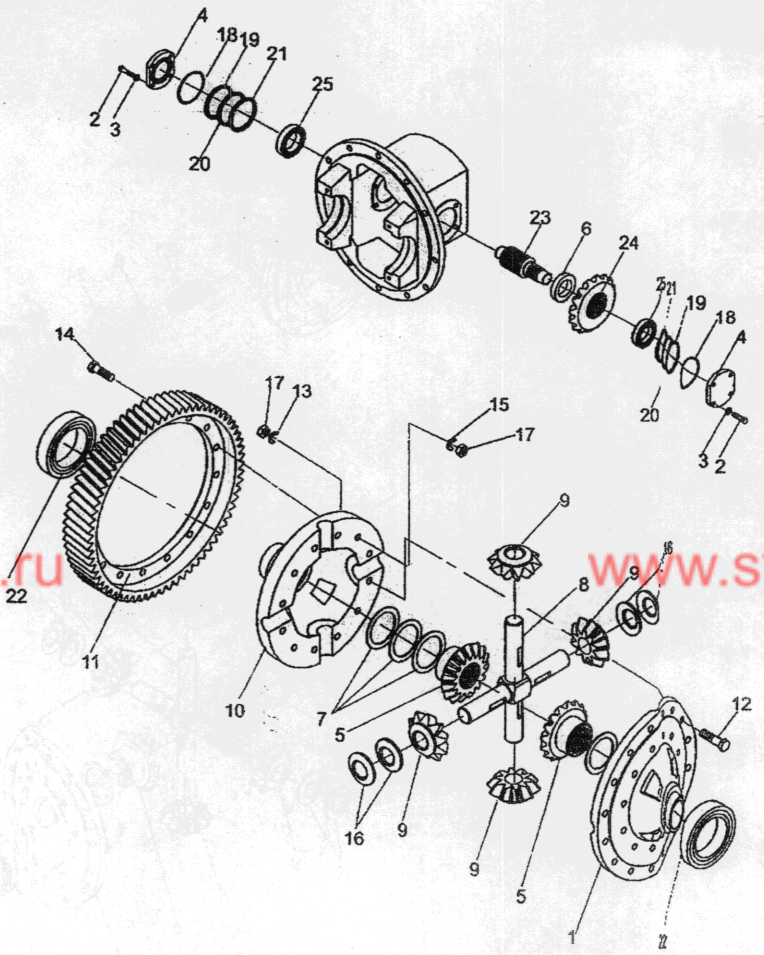
序号 Item No	图号 Part No	零部件名称 Description	件数 Q'ty	备注 Remark
01	YDS25.005	Case, cross L.H	1	左差速器壳体
02	GB5783-86	Bolt	8	螺栓M10×25
03	GB93-87	Washer	8	垫圈10
04	YDS30.087	Cover, bearing	2	承轴盖
05	YDS25.011	Gear side	2	半轴齿轮
06	YDS30.086	Spacer	1	衬套
07	YDS25.012(δ=1.8)	Shim	2	垫圈
-	YDS25.012(δ=2.0)	Shim	2	垫圈
-	YDS25.012(δ=2.2)	Shim	2	垫圈
-	YQS25.012(δ=2.4)	Shim	2	垫圈
08	YDS25.008	Shaft	1	十字轴
09	YDS25.007	Gear, pinion	4	行星齿轮
10	YDS25.004	Case, cross R.H	1	右差速器壳体
11	YDS25.010	Gear, ring	1	齿圈
12	YDS25.013	Bolt	12	螺栓
13	YDS25.014	Washer, lock	6	锁片
14	YDS30.077	Bolt	16	螺栓
15	YDS30.088	Plate, lock	8	锁片
16	YDS25.006(δ=1.8)	Washer, thrust	4	止推垫圈
-	YDS25.006(δ=2.0)	Washer, thrust	4	止推垫圈
-	YDS25.006(δ=2.2)	Washer, thrust	4	止推垫圈
17	GB6176-86	Nut	28	螺母M10×1.25
18	GB1235-76	O-ring	2	O形圈75×3.1
19	YDS30.090(δ=0.5)	Shim	按需	垫片
20	YDS30.090(δ=0.2)	Shim	按需	垫片
21	YDS30.090(δ=0.1)	Shim	按需	垫片

FD10,15,18T-MW
 FD10,15,18T-MG
 FG(L)10,15,18T-MG
 FG(L)10,15,18T-MW



FD10,15,18T-MW
FD10,15,18T-MG
FG(L)10,15,18T-MG
FG(L)10,15,18T-MW

差速器总成/DIFFERENTIAL



序号 Item No	图号 Part No	零部件名称 Description	件数 Q'ty	备注 Remark
22	GB276-94	Bearing 深沟球轴承	2	
23	YDS25.016	Shaft,final pinion gear 齿轴	1	
24	YDS18.004	Gear,spiral vevel 螺旋伞齿轮	1	
25	GB297-94	Bearing 轴承	2	

