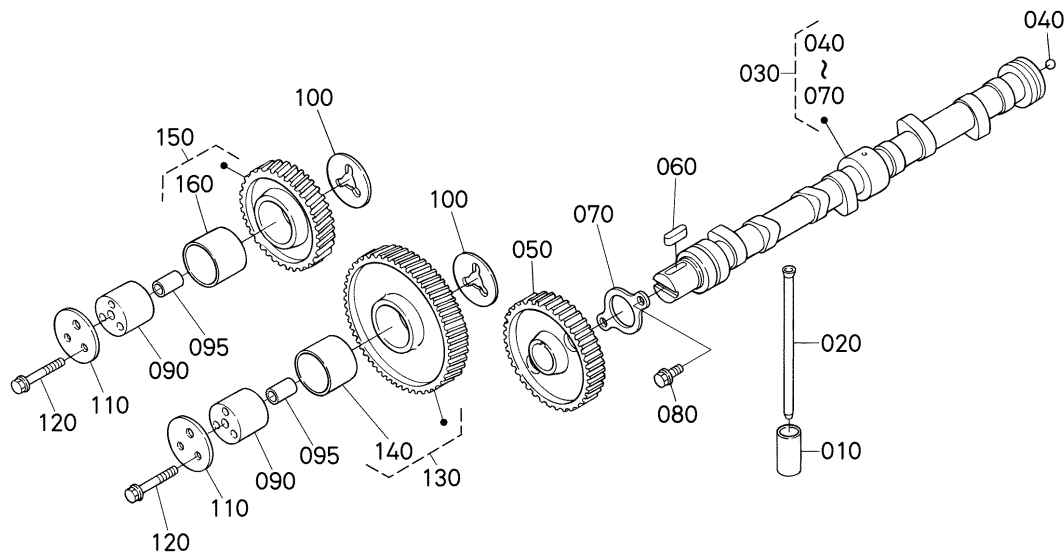


0101

凸轮轴和惰轮轴
CAMSHAFT AND IDLE GEAR SHAFT



1G511-026-14

A:V3300DI-E2B-SWD-1

序号 REF. No.	零件号 PART No.	零件名称	PART NAME	数量 Q' TY/S. No.		互 换 性 I. C.	备注 REMARKS
				A	B		
010	15601-1555-0	挺杆	TAPPET	8	-		
020	1C010-1511-0	推杆	PUSH ROD	8	-		
030	1C010-1601-2	凸轮轴	ASSY CAMSHAFT	1	-		
040	07715-01605	滚珠	BALL	1	-		
050	1C010-1651-2	凸轮轴齿轮	GEAR, CAM	1	-		
060	05712-00520	键	KEY, FEATHER	1	-		
070	1C010-1627-0	凸轮轴止推片	STOPPER, CAMSHAFT	1	-		
080	01754-50814	法兰螺栓	BOLT, FLANGE	2	-		
090	1C010-2425-0	惰轮轴	SHAFT, IDLE GEAR	2	-		
095	1C010-2452-0	惰轮销	PIN, GEAR IDLE	2	-		
100	1C010-2436-0	惰轮挡圈	COLLAR, IDLE GEAR	2	-		
110	1C010-2437-0	惰轮挡圈	COLLAR, IDLE GEAR	2	-		
120	01754-50855	法兰螺栓	BOLT, FLANGE	6	-		
130	1C011-2401-0	惰轮组件	COMP. GEAR, IDLE	1	-		
140	1C010-2498-2	惰轮衬套	BUSH, IDLE GEAR	1	-		
150	1C011-2402-0	惰轮组件	COMP. GEAR, IDLE	1	-		
160	1C010-2498-2	惰轮衬套	BUSH, IDLE GEAR	1	-		