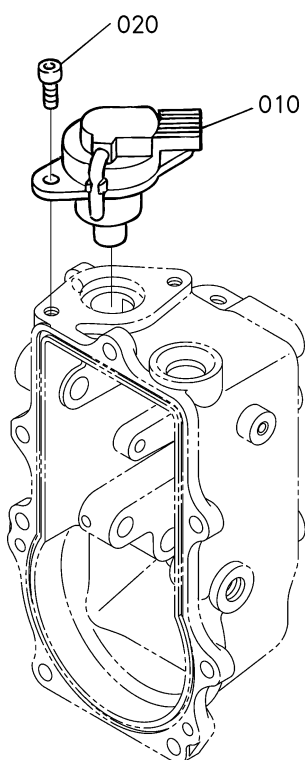


0201

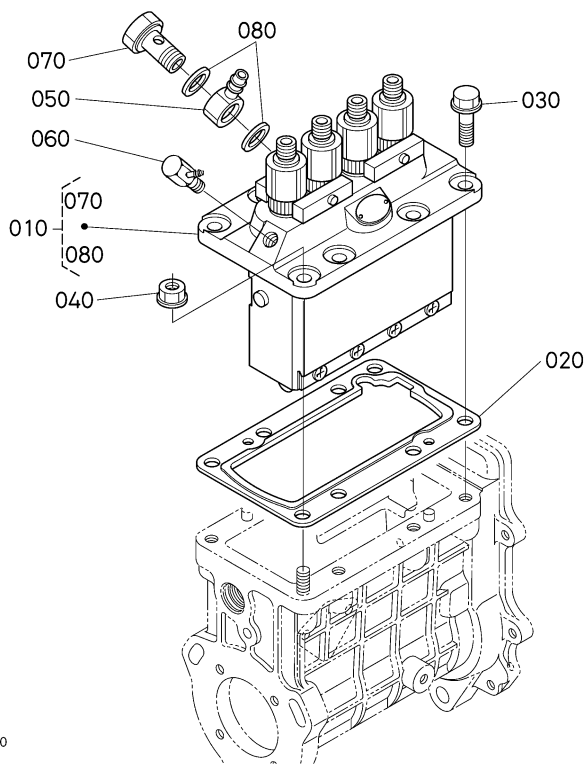
停车电磁阀
STOP SOLENOID



1G522-022-12

A:V3300D1-E2B-SWD-1

序号 REF. No.	零件号 PART No.	零件名称	PART NAME	数量 Q' TY/S. No.		互换性 I. C.	备注 REMARKS
				A	B		
010	1C010-6001-4	停车电磁阀	SOLENOID, STOP	1 ≤=6W2898	-	#	
010	1C010-6001-5	停车电磁阀	SOLENOID, STOP	1 >=6Y0009	-	← #	
020	01311-10616	螺栓	BOLT, HEX-SOC-HD	2	-		

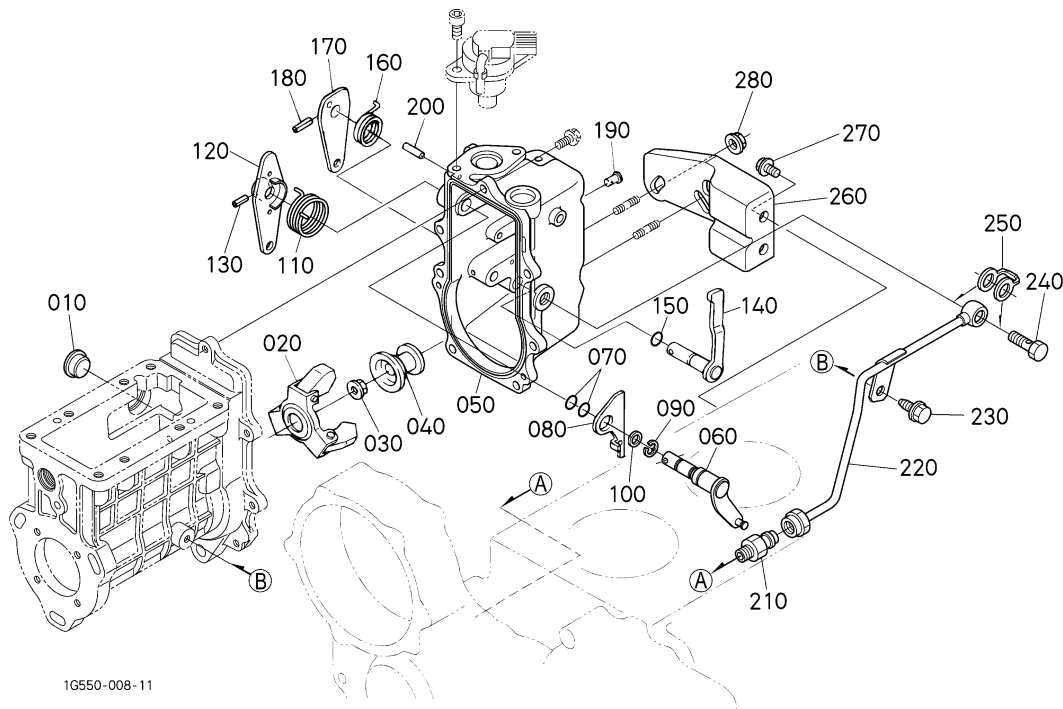


1G376-021-10

A:V3300DI-E2B-SWD-1

序号 REF. No.	零件号 PART No.	零件名称	PART NAME	数量 Q' TY/S. No.		互 换 性 I. C.	备注 REMARKS
				A	B		
010	1G514-5101-2	高压油泵总成	ASSY PUMP, INJECTION	1	-		
020	1C020-5211-0	高压油泵垫片	SHIM, INJECTION PUMP	1	-		
030	01754-50825	法兰螺栓	BOLT, FLANGE	5	-		
040	02751-50080	法兰螺母	NUT, FLANGE	3	-		
050	15401-9569-0	环眼接头	JOINT, EYE	1	-		
060	15748-6057-0	放气阀	ASSY ORIFICE	1	-		
070	1C010-5132-0	螺钉	SCREW, HOLLOW	1	-		
080	15401-9665-0	垫圈	GASKET	2	-		

< > interchangeable; ≠ not interchangeable; ← new for old; → old for new



1G550-008-11

A:V3300DI-E2B-SWD-1

序号 REF. No.	零件号 PART No.	零件名称	PART NAME	数量 Q' TY/S. No.		互 换 性 I. C.	备注 REMARKS
				A	B		
010	1C010-5675-0	调速器盖	COVER, GOVERNOR ROD	1	-		
020	1G527-5505-0	调速平衡器	ASSY WEIGHT, GOVERNOR	1	-		
030	02771-50120	法兰螺母	NUT, FLANGE	1	-		
040	1C020-5545-3	调速器衬套	SLEEVE, GOVERNOR	1	-		
050	1C011-5510-4	调速器外壳	HOUSING, GOVERNOR	1	-		
060	1C010-5602-3	调速杆总成	ASSY LEVER (GOVERNOR)	1	-		
070	04814-10070	O型环	O RING	2	-		
080	1C010-6015-3	停车杆	LEVER, STOP	1	-		
090	04613-50120	外圆形夹	CIR CLIP, EXTERNAL	1	-		
100	15221-1443-0	垫圈	WASHER, R-ARM. SHAFT	1	-		
110	1C010-5751-2	弹簧	SPRING	1	-		
120	1K012-5715-0	调速杆手柄	LEVER, SPEED CONTROL	1	-		
130	05411-00416	圆柱销	PIN, SPRING	1	-		
140	1C010-5770-0	停车杆	ASSY LEVER, ENG. STOP	1	-		
150	04814-10070	O型环	O RING	1	-		
160	15471-5792-0	回位弹簧	SPRING, RETURN	1	-		
170	1C010-5762-0	停车杆	LEVER, ENGINE STOP	1	-		
180	05411-00416	圆柱销	PIN, SPRING	1	-		
190	15221-5628-0	销	PIN, START SPRING	1	-		
200	1C010-9451-0	圆柱销	PIN, STRAIGHT	1	-		
210	15707-3336-0	接头	JOINT, UNION	1	-		
220	1C020-3332-0	油管总成	ASSY PIPE, I. P OIL	1	-		
230	13901-9102-0	螺栓	BOLT	1	-		
240	17371-9580-0	环眼螺栓	BOLT, EYE JOINT	1	-		
250	1C020-9665-0	垫圈	GASKET	1	-		
260	1C020-5162-0	高压油泵支架	BRACKET, INJ. PUMP	1	-		
270	01755-50814	法兰螺栓	BOLT, FLANGE	2	-		
280	02751-50080	法兰螺母	NUT, FLANGE	2	-		