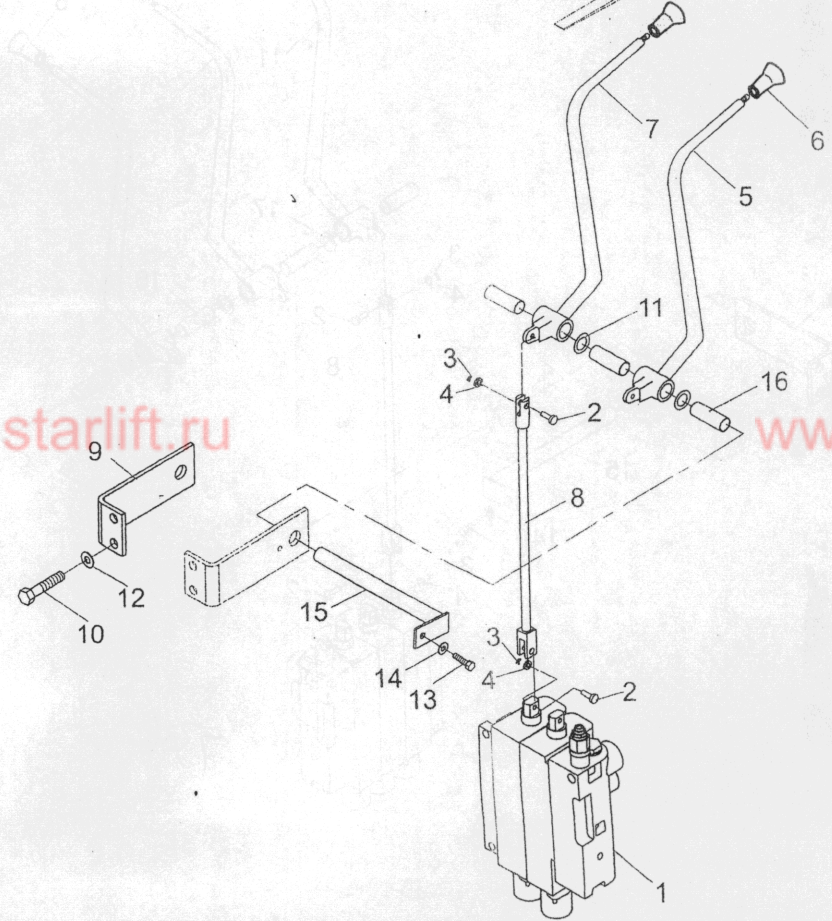
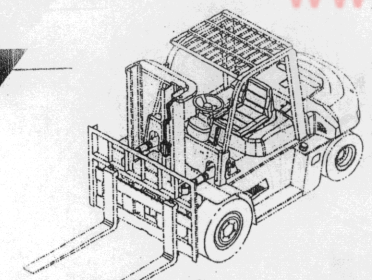
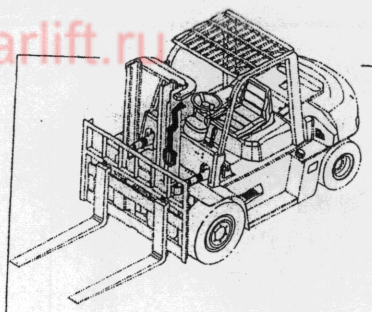


图81/FIG81 阀操纵 (二片) / VALVE CONTROL LINKAGE (TWO-THROW) G2

序号 Item No	图号 Part No	版本 Edition	零部件名称 Description	件数 Q'ty	备注 Remark
01	25767-30202G	B.0	Control valve 多路阀	1	
02	B3220-08026	B.0	Pin, clevis 销B8X26	4	GB882-86
03	B3010-3P216	B.0	Pin, cotter 销3.2X16	4	GB91-86
04	B5310-00008	B.0	Washer 垫圈8	4	GB97.1-85
05	HRH43E7402 H43E7-40111	B.2	Lever, lift 升降阀杆	1	
06	HRA22A7406	D.1	Knob, lever 手柄	2	
07	HRH43E7402 H43E7-40121	B.2	Lever, tilt 倾斜阀杆	1	
08	24357-42131	B.1	Rod 拉杆	2	
09	H43E7-40601	B.1	Plate 弯板	1	
10	B0330-10025	B.0	Bolt 螺栓M10X25	2	GB5783-86
11	23917-42191G	B.0	Shim 垫片	2	
12	B5050-00010	B.0	Washer, lock 垫圈10	2	GB93-87
13	B0330-06012	B.0	Bolt 螺栓M6X12	1	GB5783-86
14	B5050-00006	B.0	Washer, lock 垫圈6	1	GB93-87
15	REF336659	B.1	Shaft, lever 连杆轴	1	
16	23917-42161	B.1	Spacer 套	3	

CPCD50,60,70





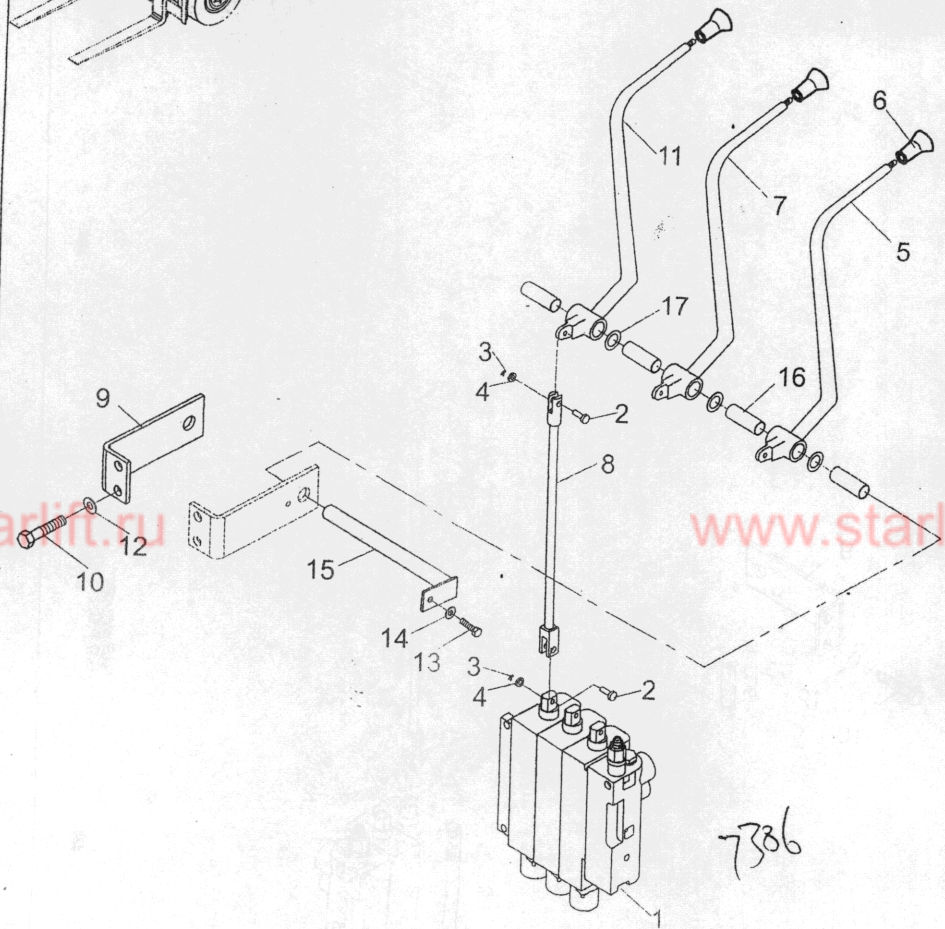
G3

阀操纵 (三片) / VALVE CONTROL LINKAGE (THREE-THROW)

图82/F1G82

CPCD50,60,70

序号 Item No	图号 Part No	版本 Edition	零部件名称 Description	件数 Q'ty	备注 Remark	
01	25787-30212G	B.0	Control valve	多路阀	1	
02	B3220-08026	B.0	Pin, clevis	销B8X26	6	GB882-86
03	B3010-3P216	B.0	Pin, cotter	销3.2X16	6	GB91-86
04	B5310-00008	B.0	Washer	垫圈8	6	GB97.1-85
05	HRH43E7402 H43E740111	B.2	Lever, lift	升降阀杆	1	
06	HRA22A7406	D.1	Knob, lever	手柄	3	
07	HRH43E7402 H43E740121	B.2	Lever, tilt	倾斜阀杆	1	
08	24357-42131	B.1	Rod	拉杆	3	
09	H43E7-40601	B.1	Plate	弯板	1	
10	B0330-10025	B.0	Bolt	螺栓M10X25	2	GB5783-86
11	HRH43E7402 H43E7-40131	B.2	Control, lever	第三片阀杆	1	
12	B5050-00010	B.0	Washer, lock	垫圈10	2	GB93-87
13	B0330-06012	B.0	Bolt	螺栓M6X12	1	GB5783-86
14	B5050-00006	B.0	Washer, lock	垫圈6	1	GB93-87
15	REF336659	B.1	Shaft, lever	连杆轴	1	
16	23917-42161	B.1	Spacer	套	4	
17	23917-42191G	B.0	Shim	垫片	3	



7386

G

114

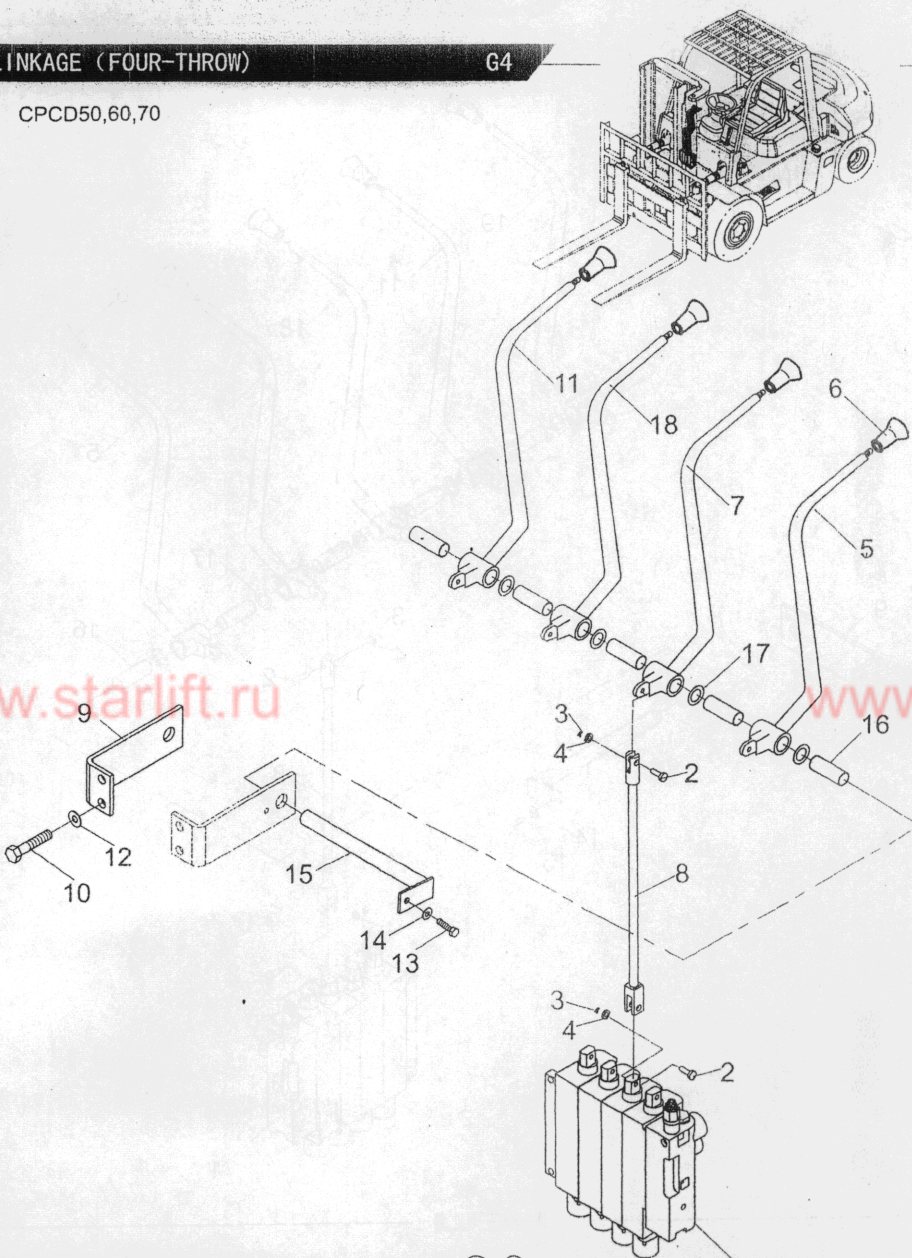
HELI

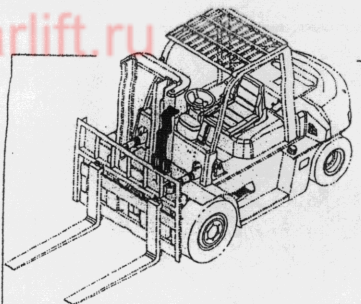
图83/FIG83

阀操纵 (四片) / VALVE CONTROL LINKAGE (FOUR-THROW)

G4

序号 Item No	图号 Part No	版本 Edition	零部件名称 Description	件数 Q'ty	备注 Remark
01	25787-30222G	B.0	Control valve 多路阀	1	
02	B3220-08026	B.0	Pin, clevis 销B8X26	8	GB882-86
03	B3010-3P216	B.0	Pin, cotter 销3.2X16	8	GB91-86
04	B5310-00008	B.0	Washer 垫圈8	8	GB97.1-85
05	HRH43E7402 H43E7-40111	B.2	Lever, lift 升降阀杆	1	
06	HRA22A7406	D.1	Knob, lever 手柄	4	
07	HRH43E7402 H43E7-40121	B.2	Lever, tilt 倾斜阀杆	1	
08	24357-42131	B.1	Rod 拉杆	4	
09	H43E7-40601	B.1	Plate 弯板	1	
10	B0330-10025	B.0	Bolt 螺栓M10X25	2	GB5783-86
11	HRH43E7402 H43E7-40141	B.2	Control, lever 第四片阀杆	1	
12	B5050-00010	B.0	Washer, lock 垫圈10	2	GB93-87
13	B0330-06012	B.0	Bolt 螺栓M6X12	1	GB5783-86
14	B5050-00006	B.0	Washer, lock 垫圈6	1	GB93-87
15	REF336659	B.1	Shaft, lever 连杆轴	1	
16	23917-42161	B.1	Spacer 套	5	
17	23917-42191G	B.0	Shim 垫片	4	
18	HRH43E7402 H43E7-40131	B.2	Control, lever 第三片阀杆	1	



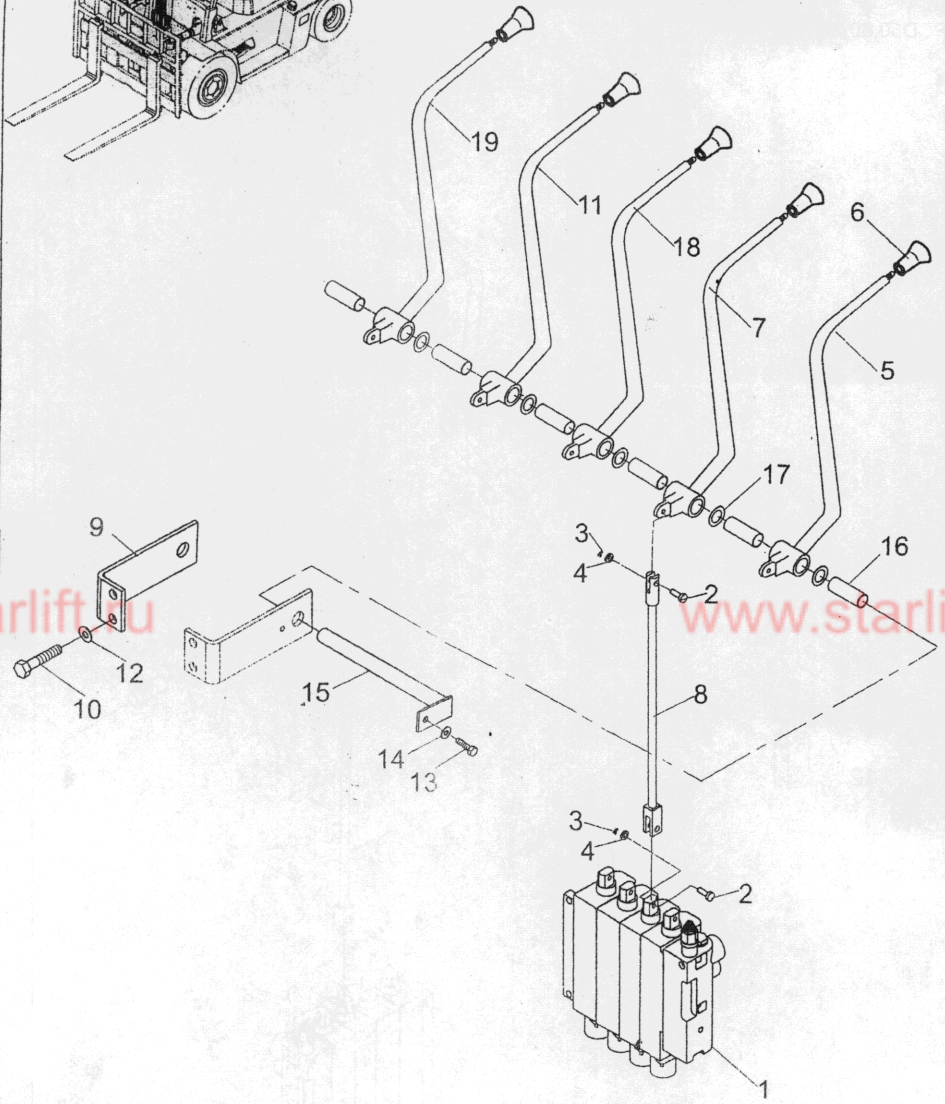


G5

阀操纵 (五片) / VALVE CONTROL LINKAGE (FIVE-THROW)

图84/F1G84

CPCD50,60,70



序号 Item No	图号 Part No	版本 Edition	零部件名称 Description	件数 Q'ty	备注 Remark
01	25787-30232G	B.0	Control valve	1	多路阀
02	B3220-08026	B.0	Pin, clevis	10	销B8X26 GB882-86
03	B3010-3P216	B.0	Pin, cotter	10	销3.2X16 GB91-86
04	B5310-00008	B.0	Washer	10	垫圈8 GB97.1-85
05	HRH43E7402 H43E7-40111	B.2	Lever, lift	1	升降阀杆
06	HRA22A7406	D.1	Knob, lever	5	手柄
07	HRH43E7402 H43E7-40121	B.2	Lever, tilt	1	倾斜阀杆
08	24357-42131	B.1	Rod	5	拉杆
09	H43E7-40601	B.1	Plate	1	弯板
10	B0330-10025	B.0	Bolt	2	螺栓M10X25 GB5783-86
11	HRH43E7402 H43E7-40141	B.2	Control, lever	1	第四片阀杆
12	B5050-00010	B.0	Washer, lock	2	垫圈10 GB93-87
13	B0330-06012	B.0	Bolt	1	螺栓M6X12 GB5783-86
14	B5050-00006	B.0	Washer, lock	1	垫圈6 GB93-87
15	REF336659	B.1	Shaft, lever	1	连杆轴
16	23917-42161	B.1	Spacer	6	套
17	23917-42191G	B.0	Shim	5	垫片
18	HRH43E7402 H43E7-40131	B.2	Control, lever	1	第三片阀杆
19	HRH43E7402 H43E7-40151	B.2	Control, lever	1	第五片阀杆

G