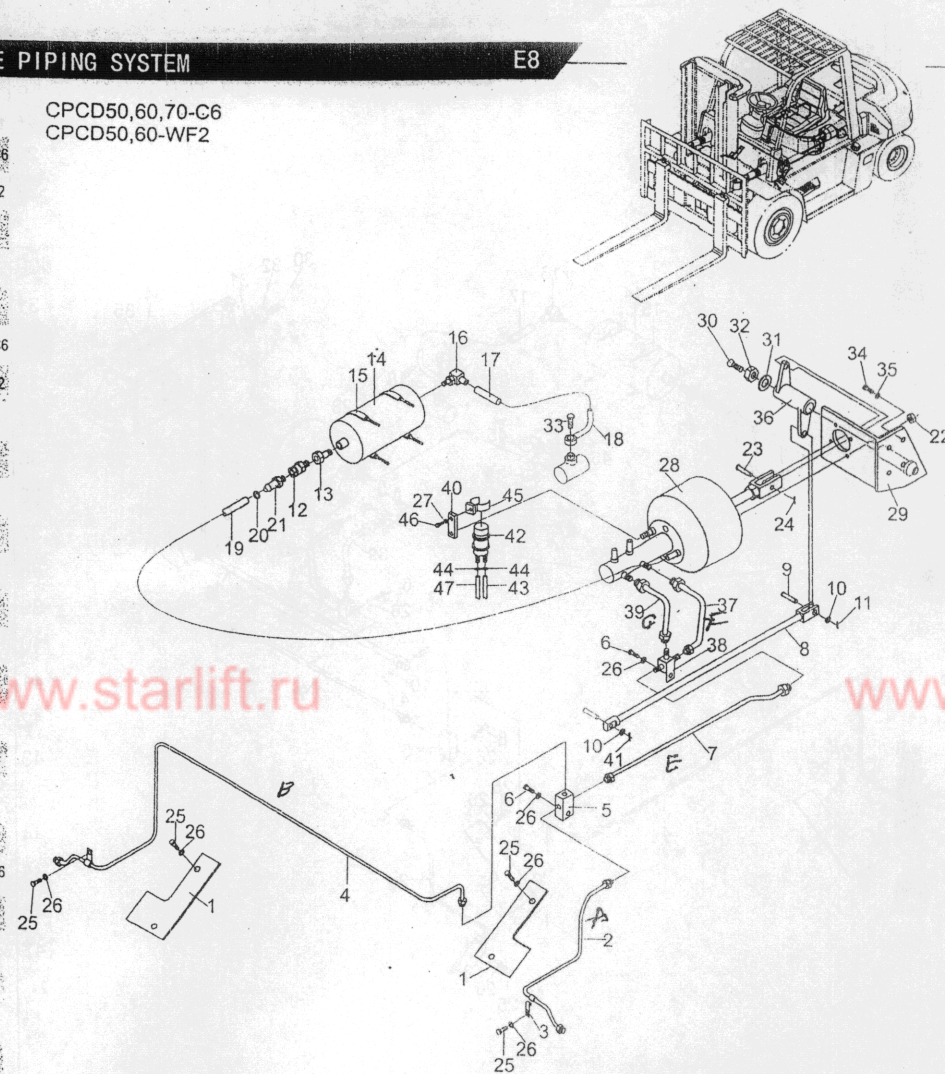


图71/FIG71

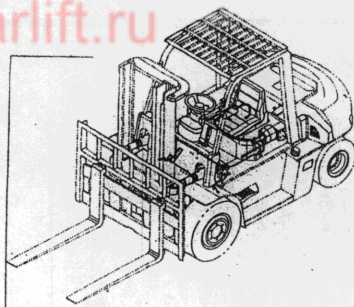
行车制动管路系统/BRAKE PIPING SYSTEM

E8

序号 Item No	图号 Part No	版本 Edition	零部件名称 Description	件数 Q'ty	备注 Remark
A	H08E5-40842	D.7	Brake piping system 行车制动管路系统	1	CPCD50,60,70-C6
-	H09E5-40841	B.3	Brake piping system 行车制动管路系统	1	CPCD50,60-WF2
01	25785-42301	B.0	Guard 护板	2	
02	25785-44511G	B.0	Pipe ass'y 油管总成 (A)	1	
03	22655-42291	B.0	Clip 管夹	2	
04	H08E5-40951	D.1	Pipe ass'y 油管总成 (B)	1	CPCD50,60,70-C6
-	25785-44501G	B.0	Pipe ass'y 油管总成 (B)	1	CPCD50,60-WF2
05	JT6035-12011	B.1	Three way 三通接头	1	
06	B0530-10030	B.0	Bolt 螺栓 M10X1.25X30	2	GB5786-86
07	H08E5-40861	D.1	Pipe ass'y 油管总成 (E)	1	
08	207E5-40871	D.4	Link 连杆总成	1	
09	B3220-14035	B.0	Pin, cotter 销 B14X35	1	GB882-86
10	B5310-00014	B.0	Washer 垫圈 14	2	GB97.1-86
11	B3010-04030	B.0	Pin 销 4X30	1	GB91-86
12	20020-00025G	B.0	Connector 接头	1	
13	22615-40751	B.0	Connector 接头	1	
14	24045-40781G	B.1	Vacuum tank 真空罐	1	
15	22615-40141	B.1	Clip 罐箍	2	
16	25785-42801G	B.0	Elbow 直角接头	1	
17	REF104423G H43E5-46021	D.2	Vacuum hose 真空管	1	CPCD50,60,70-C6
17	REF104423G 25785-46021G	D.2	Vacuum hose 真空管	1	CPCD50,60-WF2
18	25785-42761	B.0	Elbow 弯接头	1	
19	207E5-48051	D.1	Vacuum hose 真空管	1	
20	Z4590-00030	B.0	Clip 双钢丝卡箍 Ø30	2	
21	207E5-48061	B.3	Connector 接头	1	
22	H08E5-49491	B.0	Nut 螺母	4	
23	H08E5-49501	B.0	Pin 销轴	1	
24	H08E5-49511	B.0	Pin 销 4X30	1	
25	B0530-10020	B.0	Bolt 螺栓 10X1.25X20	8	GB5786-86
26	B5050-00010	B.0	Washer 垫圈 10	12	GB93-87



E

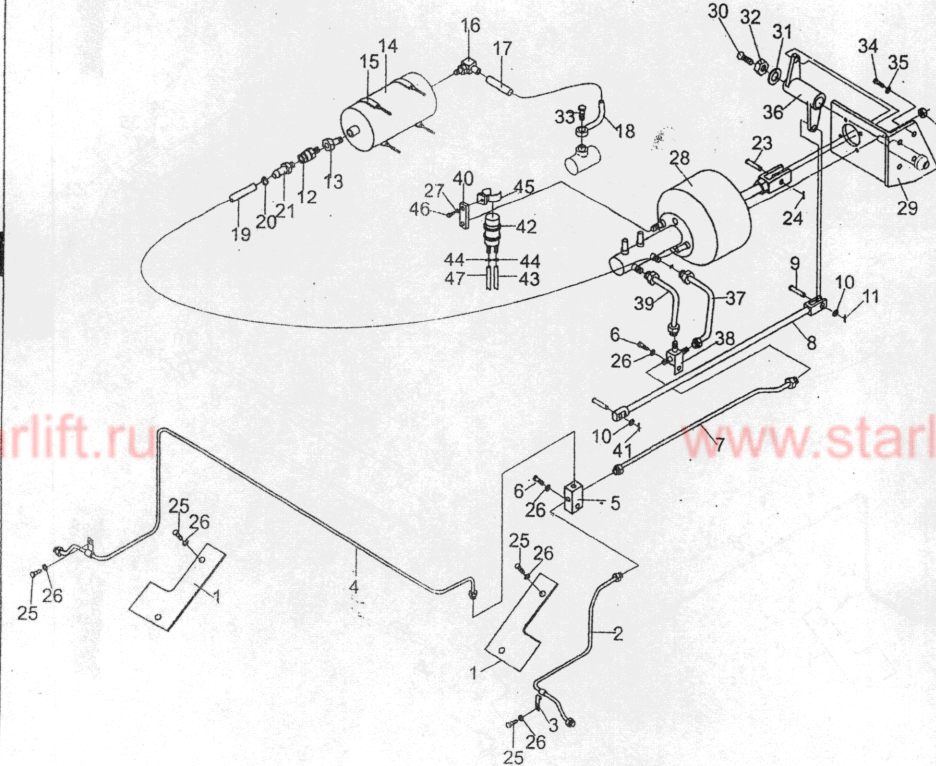


E8

行车制动管路系统/BRAKE PIPING SYSTEM

图71/FIG71

CPCD50,60,70-C6
CPCD50,60-WF2



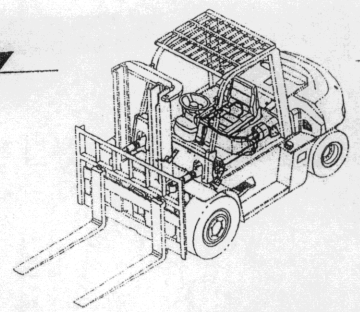
序号 Item No	图号 Part No	版本 Edition	零部件名称 Description	件数 Q'ty	备注 Remark
27	B5050-00008	B.0	Washer,lock 垫圈8	1	GB93-87
28	207E5-40901	B.0	Hydromaster 真空助力器9"×10"	1	
29	H08E5-40881	D.1	Bracket 支架总成	1	CPCD50,60,70-C6
-	H09E5-40882	B.1	Bracket 支架总成	1	CPCD50,60,70-WF2
30	Q701B90	B.1	Fitting,grease 弯颈式滑脂嘴90°	1	ZBT330012-88
31	B5310-00020	B.0	Washer 垫圈20	1	GB97.1-85
32	B4430-00020	B.0	Nut 螺母M20X1.5	1	GB6173-86
33	20205-42112	B.0	Plug 螺塞	1	
34	B0530-12025	B.0	Bolt 螺栓M12X1.25X25	4	GB5786-86
35	B5050-00012	B.0	Washer,lock 垫圈12	4	GB93-87
36	H08E5-40891	D.2	Link 摇臂总成	1	
37	H08E5-40922	D.3	Pipe ass'y 油管总成(F)	1	
38	JT6035-12021	B.1	Three way 三通接头体	1	
39	H08E5-40931	D.3	Pipe ass'y 油管总成(G)	1	
40	H08E5-48132	B.1	Bracket 支架	1	
41	B3010-3P224	B.0	Pin,cotter 销3.2X24	1	GB91-86
42	H24C5-30301	B.2	Reserve tank 制动液储油罐	1	
43	Z7300-10050	B.0	Hose 胶管∅10X500	1	CPCD50,60,70-C6
-	Z7302-10060	B.0	Hose 制动胶管∅9.5 L=600	1	GB/T7127.1-86 CPCD50,60-WF2
44	Z4590-00016	B.0	Clip 双钢丝卡箍16	4	
45	H24C5-30201	B.1	Clip 储油罐夹	1	
46	B0330-08016	B.0	Bolt 螺栓M8X16	1	GB5783-86
47	Z7300-10041	B.0	Hose 胶管∅10X410	1	CPCD50,60,70-C6
-	Z7302-10060	B.0	Hose 制动胶管∅9.5 L=600	1	GB/T7127.1-86 CPCD50,60-WF2

E

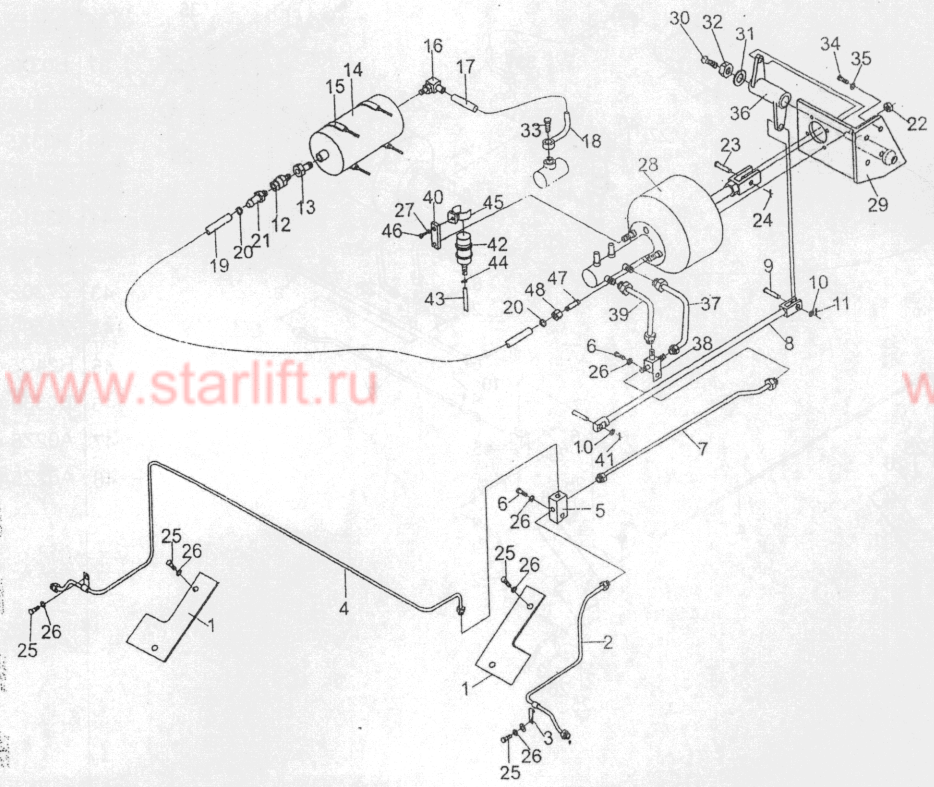
72/FIG72

行车制动管路系统/BRAKE PIPING SYSTEM

E9



图号 Part No	版本 Edition	零部件名称 Description	件数 Q'ty	备注 Remark
H03X5-40101	B.3	Brake piping system 行车制动管路系统	1	
A02Z5-43211	B.2	Guard 护板	2	
H03X5-40601	D.1	Pipe ass'y 油管总成(A)	1	
22655-42291	B.0	Clip 管夹	2	
H03X5-40701	B.1	Pipe ass'y 油管总成(B)	1	
JT6035-12011	B.1	Three way 三通	1	
B0530-10030	B.0	Bolt 螺栓M10X1.25X30	2	GB5786-86
Z07E5-40861	B.0	Pipe ass'y 制动钢管(E)	1	
207E5-40871	D.2	Link 连杆总成	1	
B3220-14035	B.0	Pin,cotter 销B14X35	1	GB882-86
B5310-00014	B.0	Washer 垫圈14	2	GB97.1-86
B3010-04030	B.0	Pin 销4X30	1	GB91-86
20020-00025G	B.0	Connector 接头	1	
22615-40751	B.0	Connector 接头	1	
20020-00025G	B.1	Vacuum tank 真空罐	1	
22615-40141	B.1	Clip 罐箍	2	
25785-42801G	B.0	Elbow 直角接头	1	
REF104423G H43E5-46021	D.2	Vacuum hose 真空管	1	
25785-42761	B.0	Elbow 弯接头	1	
207E5-48051	D.1	Vacuum hose 真空管	1	
Z4590-00032	B.0	Clip 双钢丝卡箍Ø32	2	
207E5-48061	B.3	Connector 接头	1	
A02Z5-49491	B.0	Nut 螺母	4	
A02Z5-49501	B.0	Pin 销轴	1	
A02Z5-49511	B.0	Pin 销4X30	1	
B0530-10020	B.0	Bolt 螺栓10X1.25X20	8	GB5786-86
B5050-00010	B.0	Washer 垫圈10	13	GB93-87
B5050-00008	B.0	Washer,lock 垫圈8	1	GB93-87
A02Z5-40302	B.0	Hydromaster 真空助力器9"+10"	1	



E

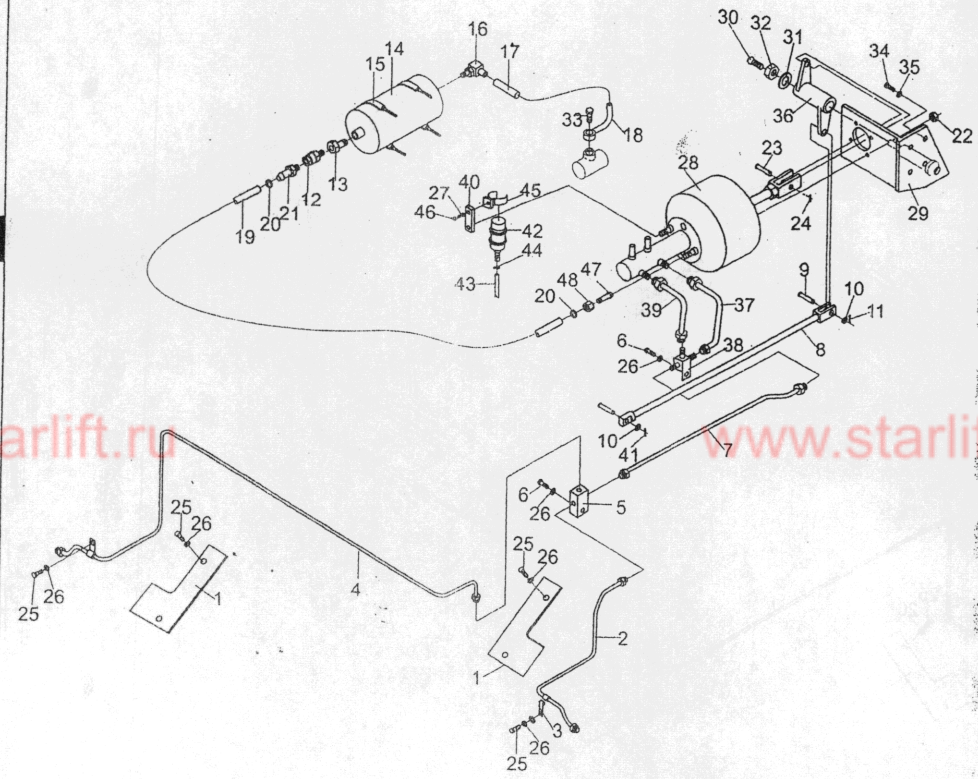
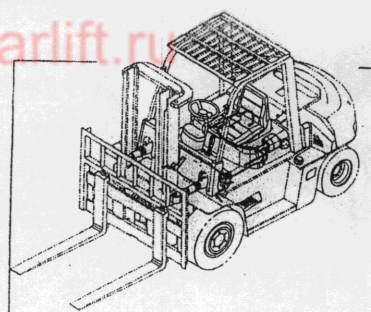
h2000

E9

行车制动管路系统/BRAKE PIPING SYSTEM

图72/F1G72

CPCD50,60-C10



序号 Item No	图号 Part No	版本 Edition	零部件名称 Description	件数 Q'ty	备注 Remark
30	Q701B90	B.1	Fitting,grease 弯颈式滑脂嘴90°	1	ZBT33001.2-86
31	B5310-00020	B.0	Washer 垫圈20	1	GB97.1-85
32	B4430-00020	B.0	Nut 螺母M20X1.5	1	GB6173-86
33	20205-42112	B.0	Plug 螺塞	1	
34	B0530-12025	B.0	Bolt 螺栓M12X1.25X25	4	GB5786-86
35	B5050-00012	B.0	Washer,lock 垫圈12	4	GB93-87
36	H08E5-40891	D.2	Link 摇臂总成	1	
37	H03X5-40302	B.0	Pipe ass'y 油管总成(F)	1	
38	JT6035-12021	B.1	Three way 三通接头体	1	
39	H03X5-40402	B.0	Pipe ass'y 油管总成(G)	1	
40	207E5-48161	B.2	Bracket 支架	1	
41	B3010-3P224	B.0	Pin,cotter 销3.2X24	1	GB91-86
42	H24C5-30301	B.2	Reserve tank 制动液储油罐	1	
43	Z7302-10060	B.0	Clip 制动胶管∅9.5 L=600	2	GB/T7127.1-86
44	Z4590-00016	B.0	Clip 双钢丝卡箍16	4	
45	H24C5-30201	B.1	Clip 储油罐夹	1	
46	B0330-08016	B.0	Bolt 螺栓M8X16	1	GB5783-86
47	A02Z5-43071	B.1	Connector 接头	1	
48	A02Z5-40381	B.0	Nut 螺母	1	

E

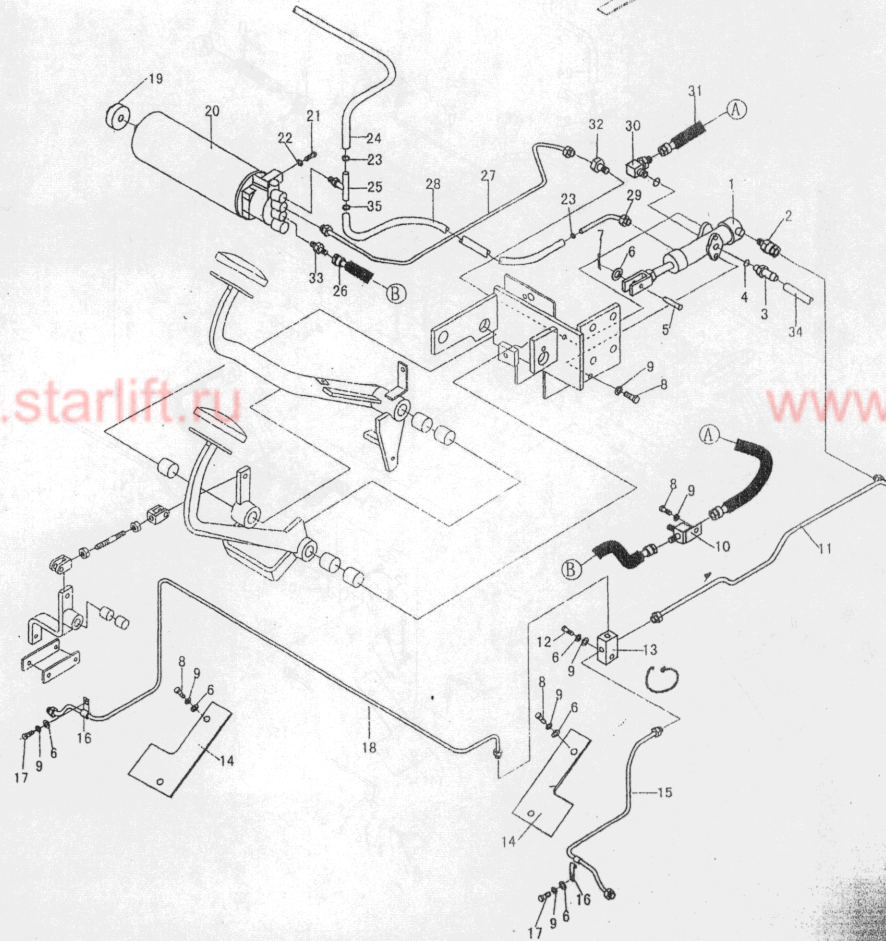
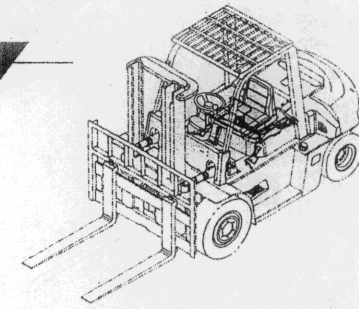
图73/FIG73

行车制动管路系统/BRAKE PIPING SYSTEM

E10

序号 Item No	图号 Part No	版本 Edition	零部件名称 Description	件数 Q'ty	备注 Remark
A	HRA45E5405 H43E5-40601	B.0	Brake piping system 行车制动管路系统	1	动力制动
-	HRA05E5402 A05E5-40601	D.1	Brake piping system 行车制动管路系统	1	国产件 CPCD50,60,70-W2
01	A45E5-40612	B.0	Brake valve 制动阀	1	
-	A45E5-40611	B.0	Brake valve 制动阀	1	国产件 CPCD50,60,70-W2
02	A45E5-40621	B.0	Safety valve 安全阀	1	
03	A45E5-43011	B.2	Connector 接头	1	
04	P16	B.0	O-ring 021 圈15.8X2.4	2	
05	B3220-10028	B.0	Pin 销B10X28	1	GB882-86
06	B5310-00010	B.0	Washer 垫圈10	7	GB97.1-86
07	B3010-02020	B.0	Pin,cotter 销2X20	1	GB91-86
08	B0530-10020	B.0	Bolt 螺栓10X1.25X20	8	GB5786-86
09	B5050-00010	B.0	Washer,lock 垫圈10	10	GB93-87
10	A45E5-40631	B.0	Three way 三通接头	1	
11	HRA45E5407 H43E5-40641	B.0	Pipe ass'y 油管总成(B)	1	
12	B0530-10030	B.0	Bolt 螺栓M10X1.25X30	1	GB5786-86
13	25785-42351G	B.0	Three way 三通接头	1	
14	25785-42301	B.0	Guard 护板	2	
15	25785-44511G	B.0	Pipe ass'y 油管总成(A)	1	
16	22655-42291	B.0	Clip 管夹	1	
17	B0520-10020	B.0	Bolt 螺栓M10X1.25X20	2	GB5786-86
18	A45E5-40651	B.0	Pipe ass'y 油管总成(C)	1	
19	A45E5-43112	B.0	Rubber plate 橡胶垫	1	
20	A45E5-40662	B.0	Reserve 储能器	1	
-	A05E6-40611	B.0	Reserve 储能器	1	国产件 CPCD50,60,70-W2
21	B0530-08020	B.0	Bolt 螺栓M8X1X20	2	GB5786-86
22	B5050-00008	B.0	Washer,lock 垫圈8	2	GB93-87
23	Z4590-00020	B.0	Clip 双钢丝卡箍220	4	
24	Z7300-10120	B.0	Hose 输油胶管10X17X1200	1	
25	A45E5-40681	B.0	Three way 三通接头	1	
A45E5-40674	B.0	Three way			

CPD50,60,70-W2,C8,WX
CPD50,60,70-Cu1,Cu2,Cu3,M



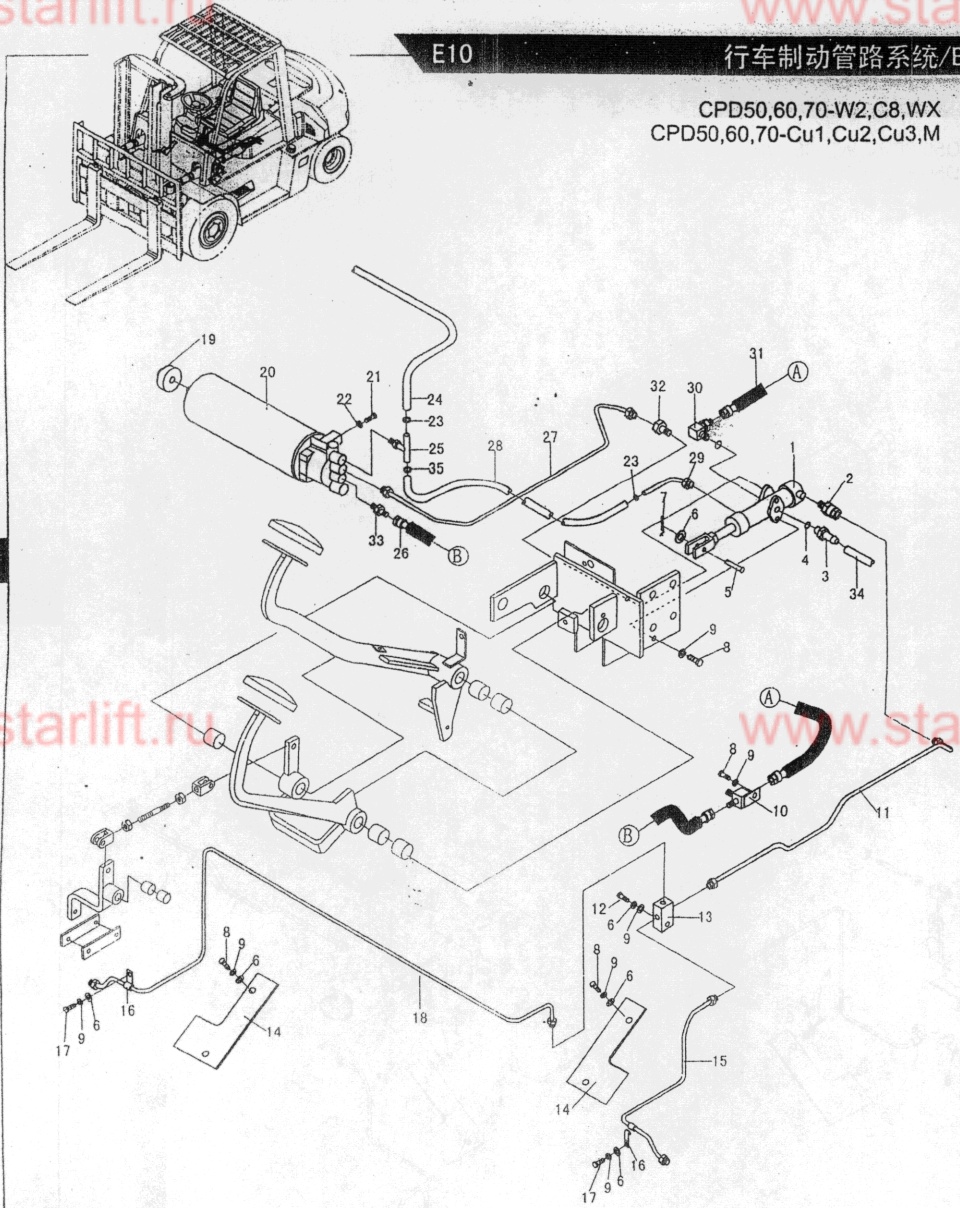
E

E10

行车制动管路系统/BRAKE PIPING SYSTEM

图73/F1G73

CPD50,60,70-W2,C8,WX
CPD50,60,70-Cu1,Cu2,Cu3,M



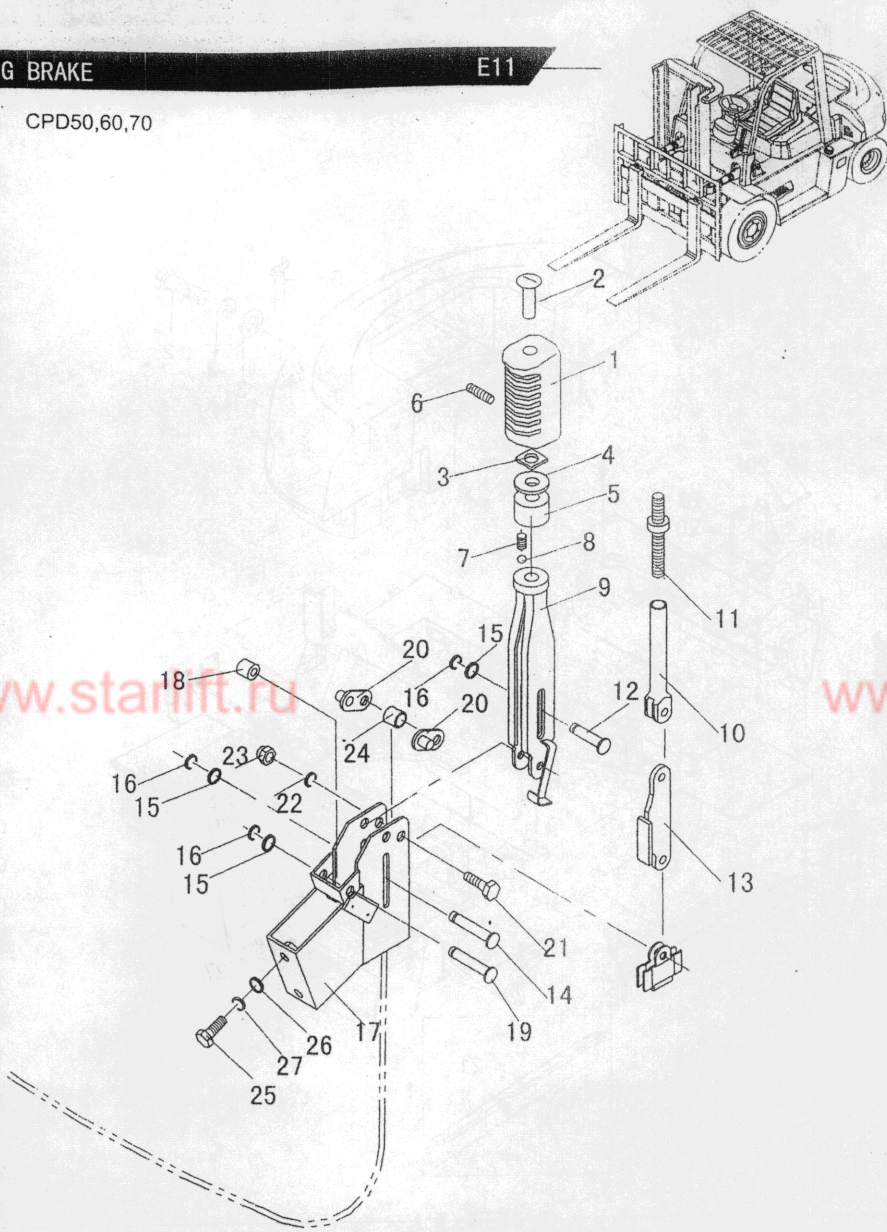
序号 Item No	图号 Part No	版本 Edition	零件名称 Description	件数 Q'ty	备注 Remark
26	Z9501-06060	B.0	Hose H.P. 高压胶管	1	
-	A45E5-40721	B.0	Hose H.P. 高压胶管	1	国产件 CPCD50,60,70-W2
27	H45E5-40691	B.0	Pipe ass'y 油管总成(D)	1	
28	Z7300-06040	B.0	Hose 输油胶管∅6X13X400	1	
29	A45E5-40701	B.0	Pipe ass'y 油管总成(E)	1	
30	A45E5-40711	B.0	Joint 接头总成	1	
31	Z9501-06080	B.0	Hose H.P. 高压胶管	1	H45E5-40731
-	A45E5-40731	B.0	Hose H.P. 高压胶管	1	国产件 CPCD50,60,70-W2
32	A45E5-43151	B.0	Joint 接头	1	
33	A45E5-43161	B.2	Joint 直通接头	1	
34	Z7300-13110	B.0	Hose 输油胶管∅13X1100	1	
35	Z4590-00014	B.0	Clip 双钢丝卡箍∅14	2	

图74/FIG74

停车制动/PARKING BRAKE

E11

序号 Item No	图号 Part No	版本 Edition	零部件名称 Description	件数 Q'ty	备注 Remark
A	HRH43E5501	B.1	Parking brake unit 停车制动装置	1	
01	THN-110	B.0	Grip 手柄头	1	
02	THN-111	B.0	Lever adjust 调节杆	1	
03	B7810-00008	B.0	Nut 螺母M8	1	GB39-88
04	B5210-00008	B.0	Washer 垫圈8	1	GB96-85
05	THN-101	B.0	Seat 手柄座	1	
06	B1830-04004	B.0	Screw 螺钉M4X4	1	GB80-85
07	THN-200	B.0	Spring 弹簧1X6X10.8	1	
08	Z1510-G0060	B.0	Ball 钢球Ø6	1	GB308-89
09	THN-060	B.0	Lever 闸把体	1	
10	THN-600	B.0	Rod 拉杆体	1	
11	THN-500	B.0	Screw rod 螺杆	1	
12	THN-070	B.0	Pin 平头销d8X35	1	
13	THN-900-00	B.0	Link 拉板总成	1	
14	THN-070	B.0	Pin 平头销d8X45	1	
15	B5310-00008	B.0	Washer 垫圈8	2	GB97.1-86
16	B6250-00006	B.0	Snap ring 挡圈6	2	GB896-86
17	HC230C5-11100	B.0	Bracket 支架总成	1	
18	25785-52241	B.0	Plate 缓冲垫圈	1	
19	25785-52251	B.0	Pin 销轴	1	
20	THN-40-00	B.0	Plate 支撑板总成	2	
21	B0220-10045	B.0	Bolt 螺栓M10X45	1	GB5782-86
22	B5050-00010	B.0	Washer,lock 垫圈10	1	GB93-87
23	B4732-00010	B.0	Nut 螺母M10	1	GB802-88
24	25785-52261	B.0	Washer 垫圈11	1	
25	B0520-10025	B.0	Bolt 螺栓M10X1.25X25	2	GB5786-86
26	B5313-00010	B.0	Washer 垫圈10	2	GB97.1-86
27	B5052-00010	B.0	Washer,lock 垫圈10	2	GB93-87



E