

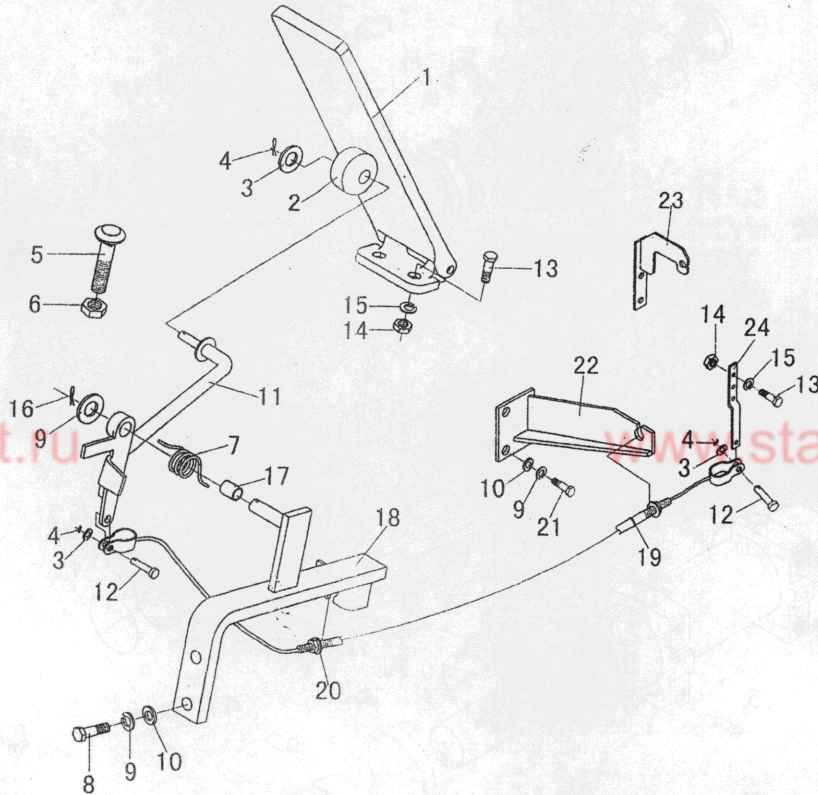
E1

油门操纵/ACCELERATOR PEDAL

图64/FIG64

CPCD50,60,70-W2,M
CPCD50,60,70-C6,C8
CPCD50,60-C10

| 序号 Item No | 图号 Part No | 版本 Edition | 零件名称 Description | 件数 Q'ty | 备注 Remark |
|---------------|---------------|---------------|------------------------------|------------|----------------------------------|
| A | H43E5-60001 | B.3 | Accelerator pedal 油门操纵装置 | 1 | CPCD50-70-W2 |
| - | H08E5-60001 | B.2 | Accelerator pedal 油门操纵装置 | 1 | CPCD50-70-C6,C8 CPCD50,60-C10 |
| - | H42X5-60001 | B.1 | Accelerator pedal 油门操纵装置 | 1 | CPCD50-70-M |
| 01 | H24C5-60201 | B.1 | Accelerator pedal ass'y 踏板总成 | 1 | |
| 02 | H24C5-62021 | B.1 | Sheave 滑轮 | 1 | |
| 03 | B5310-00006 | B.0 | Washer 垫圈6 | 2 | GB97.1-85 |
| 04 | B3010-1P620 | B.0 | Pin,cotter 销1.6X20 | 2 | GB91-86 CPCD50-70-W2,M |
| | | | | 3 | CPCD50-70-C6,C8,C10 |
| 05 | H43E5-62051 | B.1 | Bolt 螺栓 | 1 | |
| 06 | B4216-00012 | B.0 | Nut 螺母M12X1.25 | 1 | GB6171-86 |
| 07 | Z5785-22031 | D.1 | Spring 弹簧 | 1 | |
| 08 | B0530-10035 | B.0 | Bolt 螺栓M10X1.25X35 | 2 | GB5786-86 |
| 09 | B5310-00010 | B.0 | Washer 垫圈10 | 6 | GB97.1-85 其余 Rest |
| - | B5310-00008 | B.0 | Washer 垫圈8 | 2 | GB97.1-85 |
| 10 | B5050-00010 | B.0 | Washer,lock 垫圈10 | 4 | CPCD50-70-M GB93-87 |
| - | B5050-00008 | B.0 | Washer,lock 垫圈8 | 2 | 其余 Rest GB93-87 |
| 11 | H43E5-60201 | B.1 | Link assy 连接轴总成 | 1 | |
| 12 | B3220-06016 | B.0 | Pin 销B6X16 | 1 | GB882-86 CPCD50-70-W2 |
| | | | | 2 | CPCD50-70-C6,C8,C10,M |
| 13 | B0330-06020 | B.0 | Bolt 螺栓M6X20 | 2 | GB5783-86 CPCD50-70-W2,M |
| | | | | 4 | CPCD50-70-C6,C8,C10 |
| 14 | B4116-00006 | B.0 | Nut 螺母M6 | 2 | GB6170-86 CPCD50-70-W2,M |
| | | | | 4 | CPCD50-70-C6,C8,C10 |
| 15 | B5050-00006 | B.0 | Washer,lock 垫圈6 | 2 | GB93-87 CPCD50-70-W2,M |
| | | | | 4 | CPCD50-70-C6,C8,C10 |
| 16 | B3010-3P226 | B.0 | Pin,cotter 销3.2X26 | 1 | GB91-86 |
| 17 | Z2131-01015 | B.0 | Bushing 钢背轴承1015 | 1 | |
| 18 | H43E5-60301 | B.1 | Bracket 支架总成 | 1 | |
| 19 | G0155-20071 | B.0 | Band 扎带ZD150X3.5 | 1 | |
| 20 | H43E5-60401 | D.1 | Soft shaft 推拉软轴 | 1 | CPCD50-70-W2 |



E

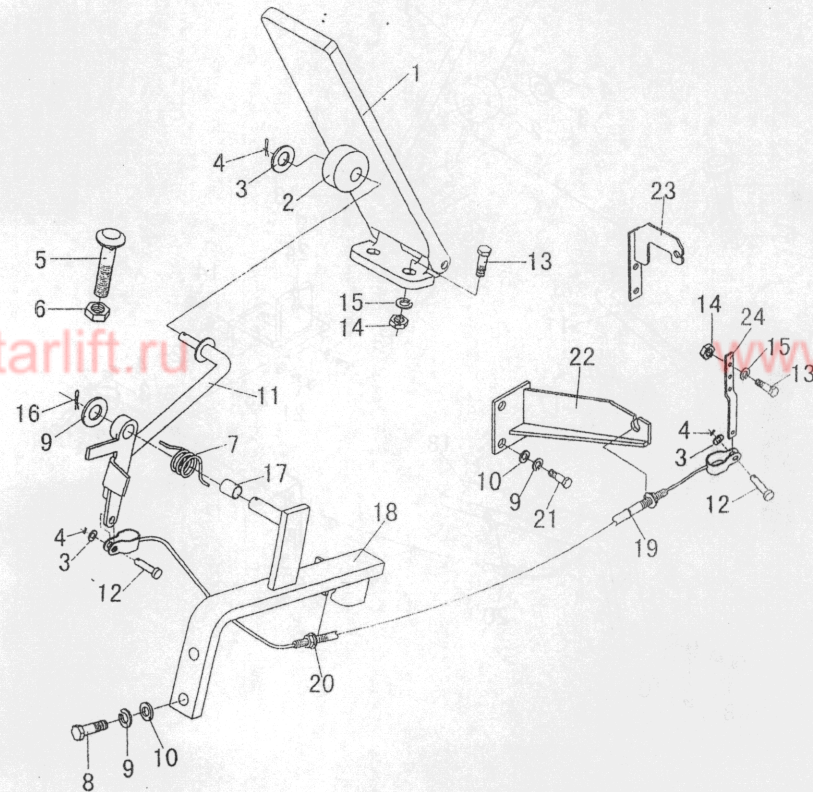
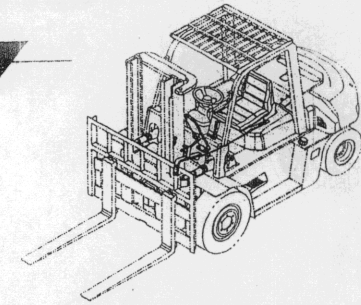
图 64/FIG64

油门操纵/ACCELERATOR PEDAL

E1

| 序号 Item No | 图号 Part No | 版本 Edition | 零部件名称 Description | 件数 Q'ty | 备注 Remark |
|---------------|---------------|---------------|----------------------|------------|-----------------------------|
| - | H08E5-60202 | B.1 | Soft shaft | 1 | CPCD50-70-C6,C8,C10,M |
| 21 | B0330-10020 | B.0 | Bolt | 2 | GB5783-86 CPCD50-70-W2,M |
| - | B0330-08020 | B.0 | Bolt | 2 | CPCD50-70-M |
| 22 | A45E5-60201 | D.1 | Bracket | 1 | CPCD50-70-W2 |
| - | H42X5-60201 | B.1 | Bracket | 1 | CPCD50-70-M |
| 23 | H08E5-60302 | B.1 | Bracket | 1 | CPCD50-70-C6,C8,C10 |
| 24 | H08E5-62021 | B.1 | Link | 1 | CPCD50-70-C6,C8,C10 |

CPCD50,60,70-W2,M
CPCD50,60,70-C6,C8
CPCD50,60-C10



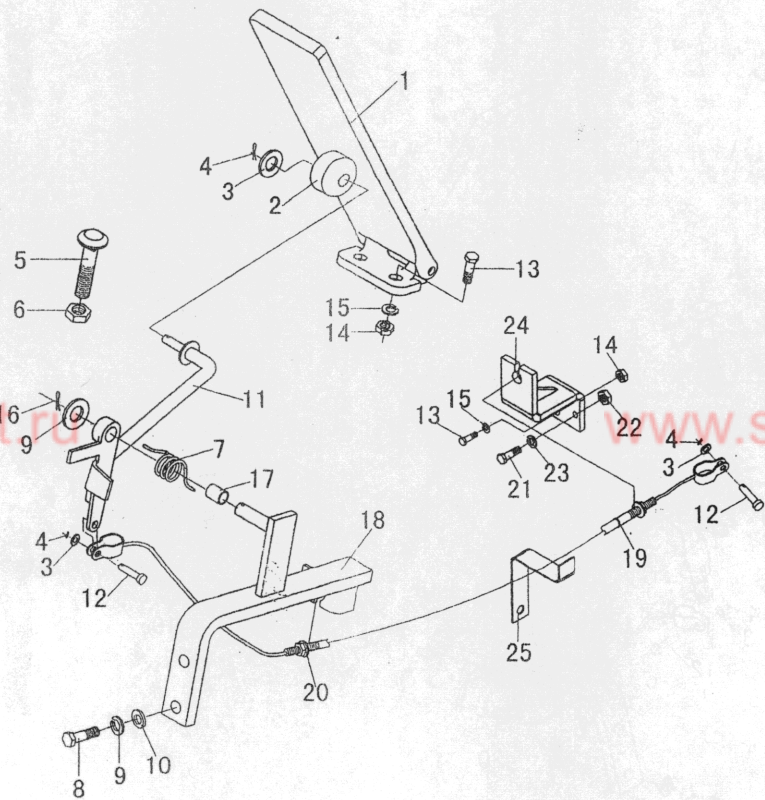
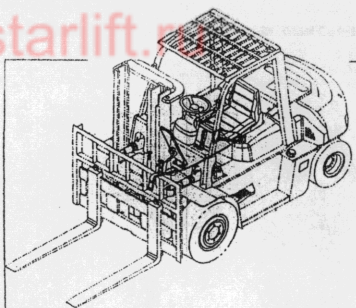
E

E2

油门操纵/ACCELERATOR PEDAL

图65/F IG65

CPCD50,60,70-Cu2



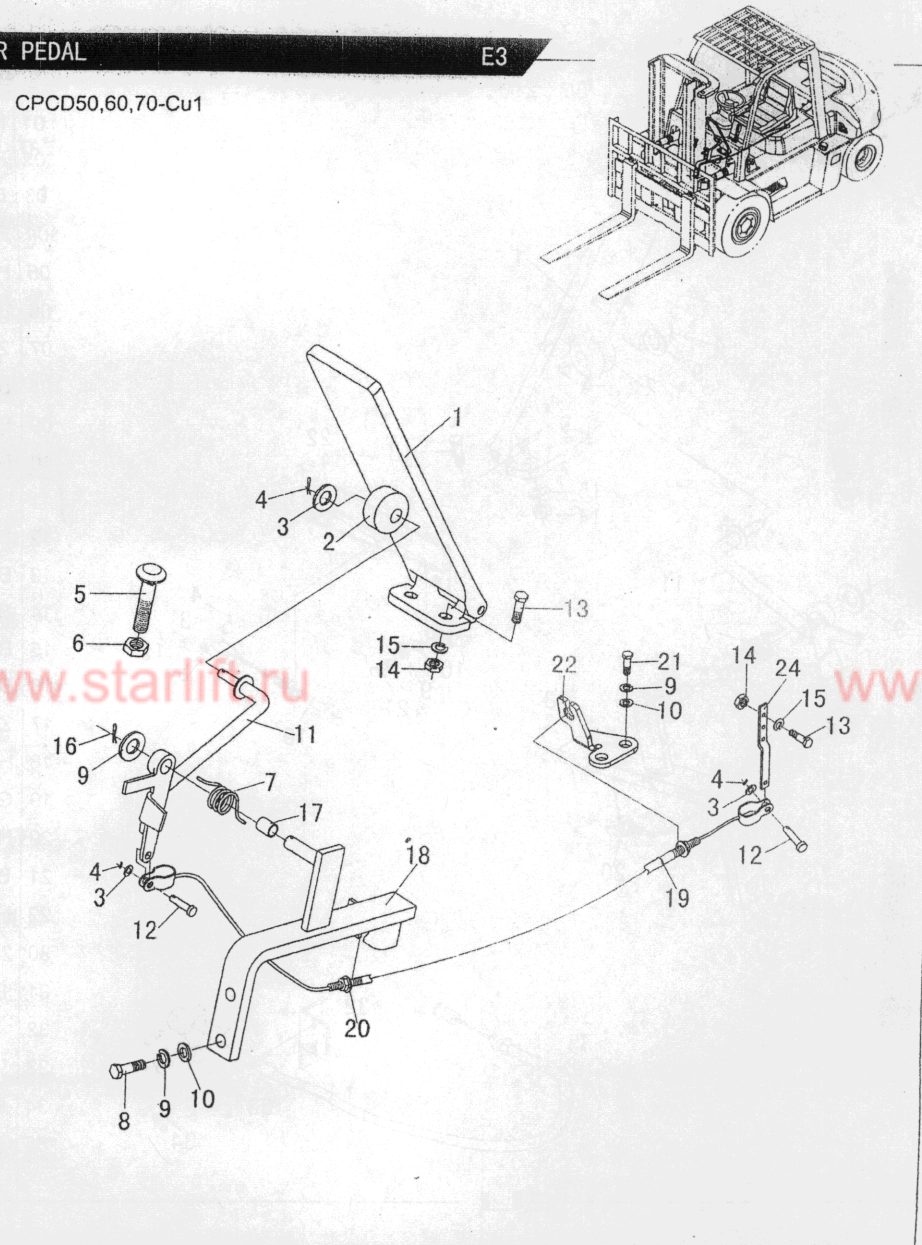
| 序号 Item No | 图号 Part No | 版本 Edition | 零部件名称 Description | 件数 Q'ty | 备注 Remark |
|---------------|---------------|---------------|------------------------------|------------|--------------|
| A | H58J5-60001 | B.2 | Accelerator pedal 油门操纵装置 | 1 | |
| 01 | H24C5-60201 | B.1 | Accelerator pedal ass'y 踏板总成 | 1 | |
| 02 | H24C5-62021 | B.1 | Sheave 滚轮 | 1 | |
| 03 | B5310-00006 | B.0 | Washer 垫圈6 | 2 | GB97.1-85 |
| 04 | B3010-1P620 | B.0 | Pin,cotter 销1.6X20 | 3 | GB91-86 |
| 05 | H43E5-62051 | B.1 | Bolt 螺栓 | 1 | |
| 06 | B4216-00012 | B.0 | Nut 螺母M12X1.25 | 1 | GB6171-86 |
| 07 | 25785-22031 | D.1 | Spring 弹簧 | 1 | |
| 08 | B0530-10035 | B.0 | Bolt 螺栓M10X1.25X35 | 2 | GB5786-86 |
| 09 | B5310-00010 | B.0 | Washer 垫圈10 | 5 | GB97.1-85 |
| 10 | B5050-00010 | B.0 | Washer,lock 垫圈10 | 2 | GB93-87 |
| 11 | H43E5-60201 | B.1 | Link assy 连接轴总成 | 1 | |
| 12 | B3220-06016 | B.0 | Pin 销B6X16 | 2 | GB882-86 |
| 13 | B0330-06020 | B.0 | Bolt 螺栓M6X20 | 4 | GB5783-86 |
| 14 | B4116-00006 | B.0 | Nut 螺母M6 | 4 | GB6170-86 |
| 15 | B5050-00006 | B.0 | Washer,lock 垫圈6 | 4 | GB93-87 |
| 16 | B3010-3P226 | B.0 | Pin,cotter 销3.2X26 | 4 | GB91-86 |
| 17 | Z2131-01015 | B.0 | Bushing 钢背轴承1015 | 1 | |
| 18 | H43E5-60301 | B.1 | Bracket 支架总成 | 1 | |
| 19 | G0155-20071 | B.0 | Band 扎带ZD150X3.5 | 1 | |
| 20 | H08E5-60202 | B.1 | Soft shaft 推拉软轴 | 1 | |
| 21 | B0330-08020 | B.0 | Bolt 螺栓M8X20 | 1 | GB5783-86 |
| 22 | B4116-00008 | B.0 | Nut 螺母M8 | 1 | GB6170-86 |
| 23 | B5050-00008 | B.0 | Washer,lock 垫圈8 | 1 | GB93-87 |
| 24 | H58J5-60201 | B.1 | Bracket 拉索支架总成 | 1 | |
| 25 | H58J5-62031 | B.2 | Bracket 支架 | 1 | |

图66/F1G66

油门操纵/ACCELERATOR PEDAL

E3

| 序号 Item No | 图号 Part No | 版本 Edition | 零部件名称 Description | 件数 Q'ty | 备注 Remark |
|---------------|---------------|---------------|------------------------------|------------|--------------|
| A | H48E5-60001 | B.1 | Accelerator pedal 油门操纵装置 | 1 | |
| 01 | H24C5-60201 | B.1 | Accelerator pedal ass'y 踏板总成 | 1 | |
| 02 | H24C5-62021 | B.1 | Sheave 滚轮 | 1 | |
| 03 | B5310-00006 | B.0 | Washer 垫圈6 | 1 | GB97.1-85 |
| 04 | B3010-1P620 | B.0 | Pin cotter 销1.6X20 | 2 | GB91-86 |
| 05 | H43E5-62051 | B.1 | Bolt 螺栓 | 1 | |
| 06 | B4216-00012 | B.0 | Nut 螺母M12X1.25 | 1 | GB6171-86 |
| 07 | 25785-22031 | D.1 | Spring 弹簧 | 1 | |
| 08 | B0530-10035 | B.0 | Bolt 螺栓M10X1.25X35 | 2 | GB5786-86 |
| 09 | B5310-00010 | B.0 | Washer 垫圈10 | 6 | GB97.1-85 |
| 10 | B5050-00010 | B.0 | Washer,lock 垫圈10 | 4 | GB93-87 |
| 11 | H43E5-60201 | B.1 | Link assy 连接轴总成 | 1 | |
| 12 | B3220-06016 | B.0 | Pin 销6X16 | 1 | GB882-86 |
| 13 | B0330-06020 | B.0 | Bolt 螺栓M6X20 | 2 | GB5783-86 |
| 14 | B4116-00006 | B.0 | Nut 螺母M6 | 4 | GB6170-86 |
| 15 | B5050-00006 | B.0 | Washer,lock 垫圈6 | 2 | GB93-87 |
| 16 | B3010-3P226 | B.0 | Pin,cotter 销3.2X26 | 4 | GB91-86 |
| 17 | Z2131-01015 | B.0 | Bushing 钢背轴承1015 | 1 | |
| 18 | H43E5-60301 | B.1 | Bracket 支架总成 | 1 | |
| 19 | G0155-20071 | B.0 | Band 扎带ZD150X3.5 | 1 | |
| 20 | H43E5-60401 | D.1 | Soft shaft 推拉软轴 | 1 | |
| 21 | B0330-10020 | B.0 | Bolt 螺栓M10X20 | 2 | GB5783-86 |
| 22 | A48E5-62011 | B.2 | Bracket 油门支架 | 1 | |



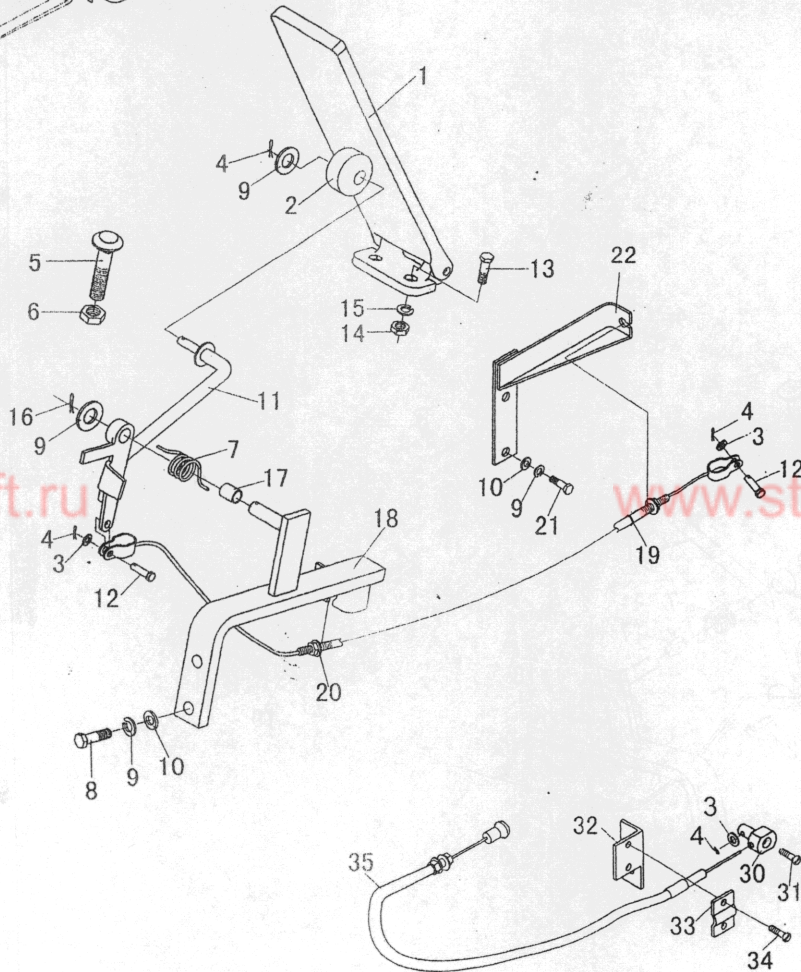
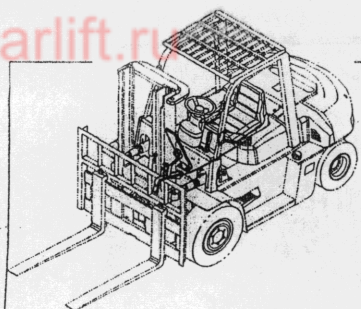
E

E4

油门操纵/ACCELERATOR PEDAL

图67/FIG67

CPCD50,60-WF2



| 序号 Item No | 图号 Part No | 版本 Edition | 零部件名称 Description | 件数 Q'ty | 备注 Remark |
|---------------|---------------|---------------|-----------------------------|------------|--------------|
| A | H09E5-60001 | B.2 | Accelerator pedal 油门及熄火操纵装置 | 1 | |
| 01 | H24C5-60201 | B.1 | pedal ass'y 踏板总成 | 1 | |
| 02 | H24C5-62021 | B.1 | Sheave 滚轮 | 1 | |
| 03 | B5310-00006 | B.0 | Washer 垫圈6 | 3 | GB97.1-85 |
| 04 | B3010-1P620 | B.0 | Pin,cotter 销1.6X20 | 5 | GB91-86 |
| 05 | H43E5-62051 | B.1 | Bolt 螺栓 | 1 | |
| 06 | B4216-00012 | B.0 | Nut 螺母M12X1.25 | 1 | GB6171-86 |
| 07 | 25785-22031 | D.1 | Spring 弹簧 | 1 | |
| 08 | B0530-10035 | B.0 | Bolt 螺栓M10X1.25X35 | 2 | GB5786-86 |
| 09 | B5310-00010 | B.0 | Washer 垫圈10 | 6 | GB97.1-85 |
| 10 | B5050-00010 | B.0 | Washer,lock 垫圈10 | 4 | GB93-87 |
| 11 | H09E5-60201 | B.1 | Link assy 连接轴总成 | 1 | |
| 12 | B3220-06016 | B.0 | Pin 销轴6X16 | 2 | GB882-86 |
| 13 | B0330-06020 | B.0 | Bolt 螺栓M6X20 | 2 | GB5783-86 |
| 14 | B4116-00006 | B.0 | Nut 螺母M6 | 2 | GB6170-86 |
| 15 | B5050-00006 | B.0 | Washer,lock 垫圈6 | 2 | GB93-87 |
| 16 | B3010-3P226 | B.0 | Pin,cotter 销3.2X26 | 1 | GB91-86 |
| 17 | Z2131-01015 | B.0 | Bushing 钢背轴承1015 | 1 | |
| 18 | H43E5-60301 | B.1 | Bracket 支架总成 | 1 | |
| 19 | G0155-20071 | B.0 | Band 扎带ZD150X3.5 | 1 | |
| 20 | H08E5-60202 | B.1 | Soft shaft 推拉软轴 | 1 | |
| 21 | B0330-10020 | B.0 | Bolt 螺栓M10X20 | 2 | GB5783-86 |
| 22 | H09E5-60301 | B.1 | Bracket 拉索支架 | 1 | |
| 30 | 20065-22000G | B.1 | Pin 钢丝绳固定销 | 1 | |
| 31 | B1110-04010 | B.0 | Screw 螺钉M4X10 | 1 | GB67-85 |
| 32 | 3C53-00-08 | B.1 | Bracket 钢丝绳固定架 | 1 | |
| 33 | 3C53-00-06 | B.1 | Bracket 钢丝绳固定板 | 1 | |
| 34 | B1110-04015 | B.0 | Screw 螺钉M4X15 | 2 | GB67-85 |
| 35 | A0591-10001 | B.0 | Extinguish control 熄火操纵装置 | 1 | |

E

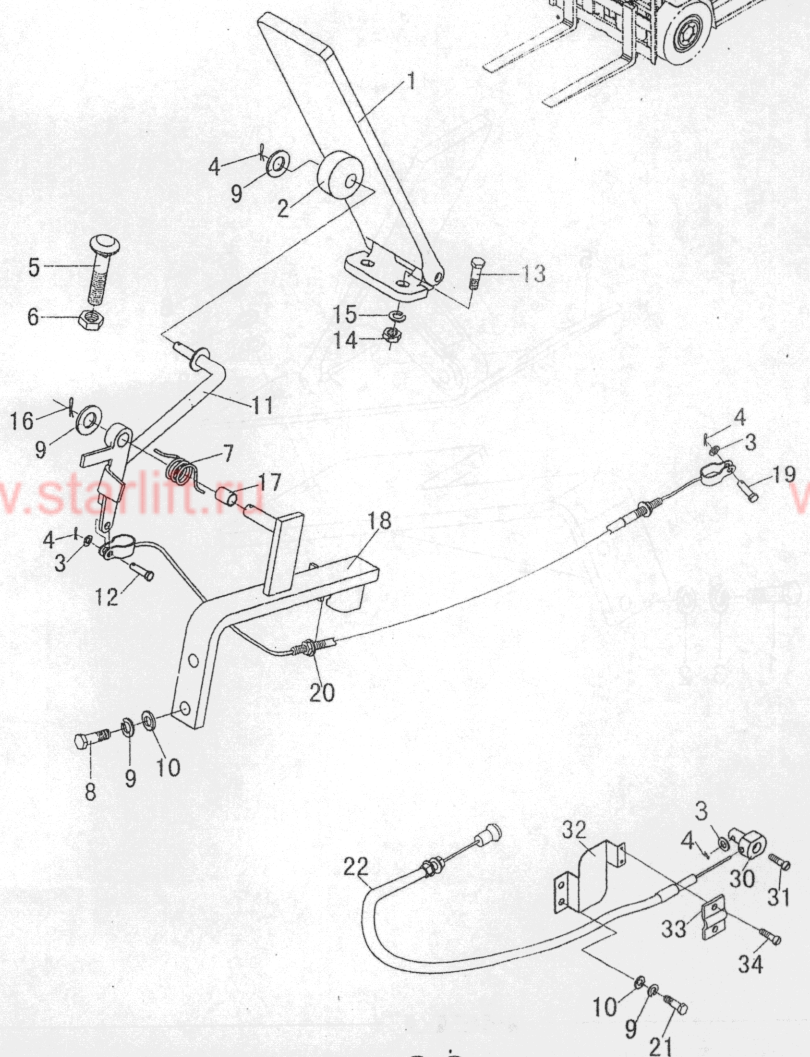
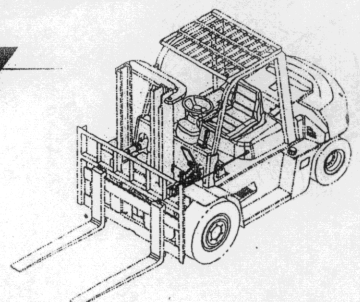
图68/FIG68

油门操纵/ACCELERATOR PEDAL

E5

| 序号 Item No | 图号 Part No | 版本 Edition | 零部件名称 Description | 件数 Q'ty | 备注 Remark |
|---------------|---------------|---------------|-----------------------------|------------|--------------|
| A | H04X5-60001 | B.3 | Accelerator pedal 油门及熄火操纵装置 | 1 | |
| 01 | H24C5-60201 | B.1 | Pedal ass'y 踏板总成 | 1 | |
| 02 | H24C5-62021 | B.1 | Sheave 滚轮 | 1 | |
| 03 | B5310-00006 | B.0 | Washer 垫圈6 | 3 | GB97.1-85 |
| 04 | B3010-1P620 | B.0 | Pin, cotter 销1.6X20 | 5 | GB91-86 |
| 05 | H43E5-62051 | B.1 | Bolt 螺栓 | 1 | |
| 06 | B4216-00012 | B.0 | Nut 螺母M12X1.25 | 1 | GB6171-86 |
| 07 | 25785-22031 | D.1 | Spring 弹簧 | 1 | |
| 08 | B0530-10035 | B.0 | Bolt 螺栓M10X1.25X35 | 2 | GB5786-86 |
| 09 | B5310-00010 | B.0 | Washer 垫圈10 | 6 | GB97.1-85 |
| 10 | B5050-00010 | B.0 | Washer, lock 垫圈10 | 4 | GB93-87 |
| 11 | H09E5-60201 | B.1 | Link ass'y 连接轴总成 | 1 | |
| 12 | B3220-06016 | B.0 | Pin 销轴6X16 | 1 | GB882-86 |
| 13 | B0330-06020 | B.0 | Bolt 螺栓M6X20 | 2 | GB5783-86 |
| 14 | B4116-00006 | B.0 | Nut 螺母M6 | 2 | GB6170-86 |
| 15 | B5050-00006 | B.0 | Washer, lock 垫圈6 | 2 | GB93-87 |
| 16 | B3010-3P226 | B.0 | Pin, cotter 销3.2X26 | 1 | GB91-86 |
| 17 | Z2131-01015 | B.0 | Bushing 钢背轴承1015 | 1 | |
| 18 | H43E5-60301 | B.1 | Bracket 支架总成 | 1 | |
| 19 | B3220-06022 | B.0 | Pin 销轴6X22 | 1 | GB882-86 |
| 20 | H04X5-62031 | B.1 | Soft shaft 推拉软轴 | 1 | |
| 21 | B0330-10020 | B.0 | Bolt 螺栓M10X20 | 2 | GB5783-86 |
| 22 | A0591-10001 | B.0 | Extinguish control 熄火操纵装置 | 1 | |
| 30 | 20065-22000G | B.1 | Pin 钢丝绳固定销 | 1 | |
| 31 | B1110-04010 | B.0 | Screw 螺钉M4X10 | 1 | GB67-85 |
| 32 | H04X5-62011 | B.2 | Bracket 钢丝绳固定架 | 1 | |
| 33 | 3C53-00-06 | B.1 | Bracket 钢丝绳固定板 | 1 | |
| 34 | B1110-04015 | B.0 | Screw 螺钉M4X15 | 2 | GB67-85 |

CPCD50,60,70-WX



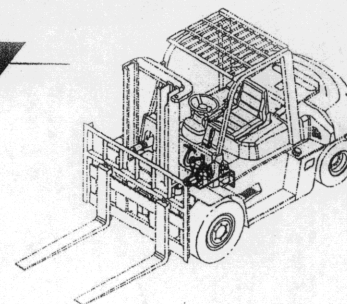
E

图70/FIG70

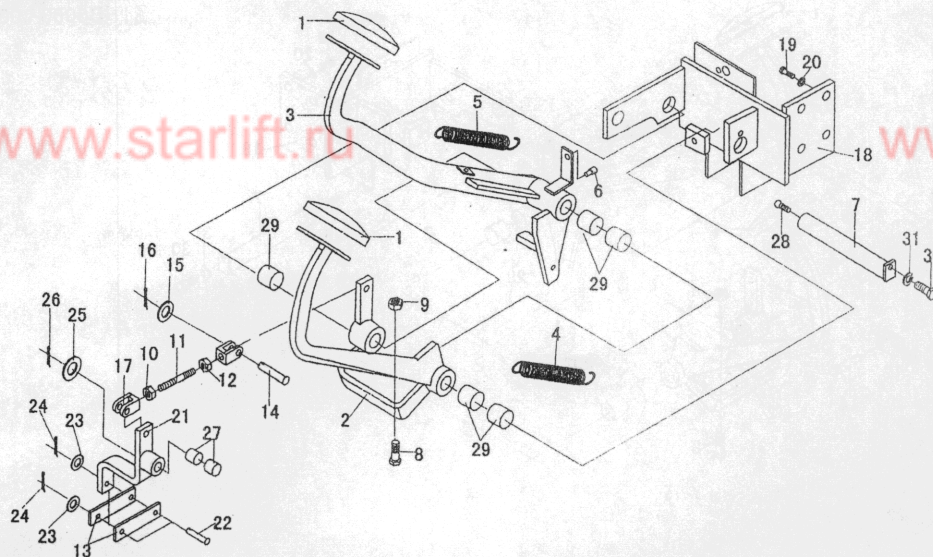
行车制动与微动操纵/ BRAKE & INCHING CONTROL

E7

CPCD50,60,70



| 序号 Item No | 图号 Part No | 版本 Edition | 零部件名称 Description | 件数 Q'ty | 备注 Remark |
|---------------|---------------------------|---------------|--------------------------------------|------------|--|
| A | HRA45E5401 H43E5-40001 | B.0 | Brake & inching control 行车制动与微动操纵 | 1 | CPCD50-70-W2,C8,WX, Cu2,Cu3 CPCD50,60-CU1 |
| - | HRA05E5401 | B.1 | Brake & inching control 行车制动与微动操纵 | 1 | 国产件 CPCD50-70-W2 |
| - | H08E5-40011 | D.1 | Brake & inching control 行车制动与微动操纵 | 1 | CPCD50-70-C6 |
| - | H09E5-40011 | B.2 | Brake & inching control 行车制动与微动操纵 | 1 | CPCD50,60-WF2 |
| - | H03X5-40001 | B.1 | Brake & inching control 行车制动与微动操纵 | 1 | CPCD50,60-C10 |
| - | H42X5-40001 | B.1 | Brake & inching control 行车制动与微动操纵 | 1 | CPCD50-70-M |
| 01 | 25595-42074 | D.1 | Cover,pedal 踏板垫 | 2 | |
| 02 | A45E5-40201 | B.0 | Pedal, inching 微动踏板总成 | 1 | |
| 03 | A45E5-40301 | B.0 | Pedal, brake 制动踏板总成 | 1 | CPCD50-70-W2,C8,WX, Cu2,Cu3,M CPCD50,60-CU1 |
| - | H08E5-40301 | D.1 | Pedal, brake 制动踏板总成 | 1 | CPCD50-70-C6,WF2 CPCD50,60-C10 |
| 04 | 24235-42091 | B.0 | Spring 微动拉簧 | 1 | |
| 05 | A45E5-42501 | B.0 | Spring 制动拉簧 | 1 | |
| 06 | 23235-40091 | D.4 | Rubber 橡皮顶轴 | 1 | |
| 07 | 25785-42782 | B.0 | Shaft,oil 油轴 | 1 | |
| 08 | B0110-10040 | B.0 | Bolt 螺栓M10X40 | 3 | GB6781-86 |
| 09 | B4116-00010 | B.0 | Nut 螺母M10 | 3 | GB6170-86 |
| 10 | B4116-10008 | B.0 | Nut(L.H) 左旋螺母M8 | 1 | GB6170-86 |
| 11 | A45E5-42511 | B.0 | Rod 丝杆 | 1 | |
| 12 | B4116-00008 | B.0 | Nut 螺母M8 | 1 | GB6170-86 |
| 13 | HRA45E5406 A43E5-43661 | B.0 | Link 连杆 | 2 | |
| 14 | B3220-06025 | B.0 | Pin 销B6X25 | 2 | GB882-86 |
| 15 | B5111-00006 | B.0 | Washer 垫圈6 | 2 | GB95-85 |
| 16 | B3010-1P616 | B.0 | Pin 销1.6X16 | 2 | GB91-86 |
| 17 | HRA45E5402 A45E5-42581 | B.0 | clevis 支耳(左) | 1 | |
| - | HRA45E5402 A45E5-42591 | B.0 | clevis 支耳(右) | 1 | |
| 18 | A45E5-40401 | B.0 | Bracket 托架 | 1 | CPCD50-70-W2,C8,WX, Cu2,Cu3,M CPCD50,60-CU1 |
| - | H08E5-40401 | D.1 | Bracket 托架 | 1 | CPCD50-70-C6,WF2 CPCD50,60-C10 |
| 19 | B0330-12020 | B.0 | Bolt 螺栓M12X20 | 4 | GB5783-86 |
| 20 | B5050-00012 | B.0 | Washer,lock 垫圈12 | 4 | GB93-87 |
| 21 | A45E5-40501 | B.0 | Link 连杆 | 1 | 除CPCD50-70-M外 |



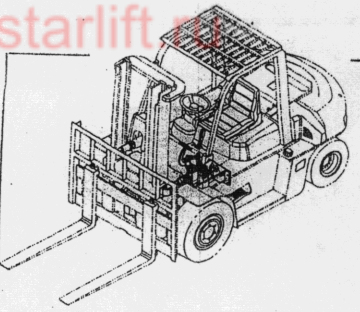
E

E7

行车制动与微动操纵/BRAKE & INCHING CONTROL

图70/FIG70

CPCD50,60,70



| 序号 Item No | 图号 Part No | 版本 Edition | 零部件名称 Description | 件数 Q'ty | 备注 Remark |
|---------------|---------------|---------------|----------------------|------------|---|
| 22 | H42X5-42011 | B.1 | Link | 1 | CPCD50-70-M 连杆 |
| 23 | B3220-10030 | B.0 | Pin | 3 | GB882-86 销B10X30 |
| 24 | B5111-00010 | B.0 | Washer | 3 | GB95-85 垫圈10 |
| 25 | B3010-3P220 | B.0 | Pin | 3 | GB91-86 销3. 2X20 |
| 26 | B5111-00016 | B.0 | Washer | 1 | GB95-85 垫圈16 |
| 27 | B3010-3P226 | B.0 | Pin | 1 | GB91-86 销3. 2X26 |
| 28 | Z2111-01612 | B.0 | Bushing | 2 | 其余 钢背轴承1612 |
| - | Z2131-01610 | B.0 | Bushing | 2 | CPCD50,60-C10 CPCD50-70-M 钢背轴承1610 |
| 29 | Z2500-01010 | B.0 | Fitting | 1 | JB/T7940-1995 油杯M10X1 |
| - | Q700B01 | B.0 | Fitting,grease | 1 | GB1152-89 CPCD50,60-C10 CPCD50-70-M,W2 国产件 直通式滑脂嘴 |
| 30 | Z2112-02525 | B.0 | Bushing | 5 | 钢背轴承2525 |
| 31 | B0330-08016 | B.0 | Bolt | 1 | GB5783-86 螺栓M8X16 |
| 32 | B5050-00008 | B.0 | Washer | 1 | GB93-87 垫圈8 |

