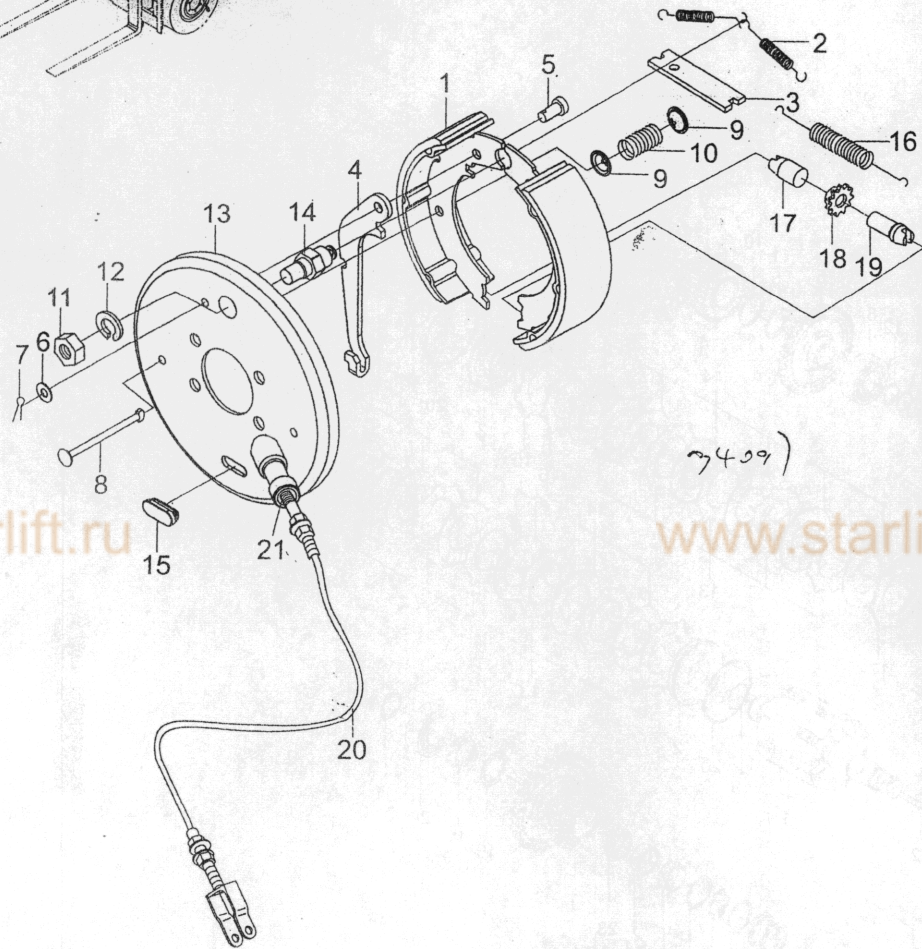
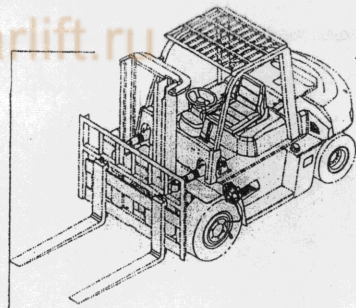


C12

停车制动器总成/PARKING BRAKE ASS'Y

图52/F1G52



CPCD50,60,70

序号 Item No	图号 Part No	版本 Edition	零部件名称 Description	件数 Q'ty	备注 Remark
A	15793-60202G	B.0	Parking brake ass'y 停车制动器总成	1	
01	15793-60631G	B.0	Brake shoe & lining 手制动蹄带摩擦片总成	2	
02	15793-60621G	B.0	Spring 手制动蹄回位弹簧	2	
03	15793-60611G	B.0	Board 手制动蹄推板	1	
04	15793-60601G	B.0	Lever brake 手制动蹄拉臂	1	
05	B3230-08016	B.0	Pin 销B8X16	1	GB882-86
06	B6111-00008	B.0	Washer 垫圈	1	GB95-85
07	B3010-03020	B.0	Pin 销3X20	1	GB91-86
08	15793-60731G	B.0	Pin 手制动蹄定位销	1	
09	15793-60751G	B.0	Cup,shoe hold down 手制动蹄定位弹簧座	1	
10	15793-60741G	B.0	Spring 手制动蹄定位弹簧	1	
11	B4230-00008	B.0	Nut 螺母M8	1	GB6171-86
12	B5050-00008	B.0	Washer,lock 垫圈8	1	GB93-87
13	15793-60521G	B.0	Back plate ass'y 手制动底板总成	1	
14	15793-60581G	B.0	Pin 手制动蹄支轴	1	
15	15793-60591G	B.0	Plug 手制动器底板调整孔堵塞	1	
16	15793-60711G	B.0	Spring 手制动器蹄下端拉簧	1	
17	15793-60701G	B.0	Adjuster cover 手制动间隙调整套	1	
18	15793-60691G	B.0	Adjuster wheel 手制动间隙调整轮	1	
19	15793-60681G	B.0	Adjuster screw 手制动间隙调整螺钉	1	
20	15783-60211G	B.0	Cable ass'y 制动拉索总成	1	
21	15793-60721G	B.0	Spring 手制动器钢丝绳回位弹簧	1	

7409