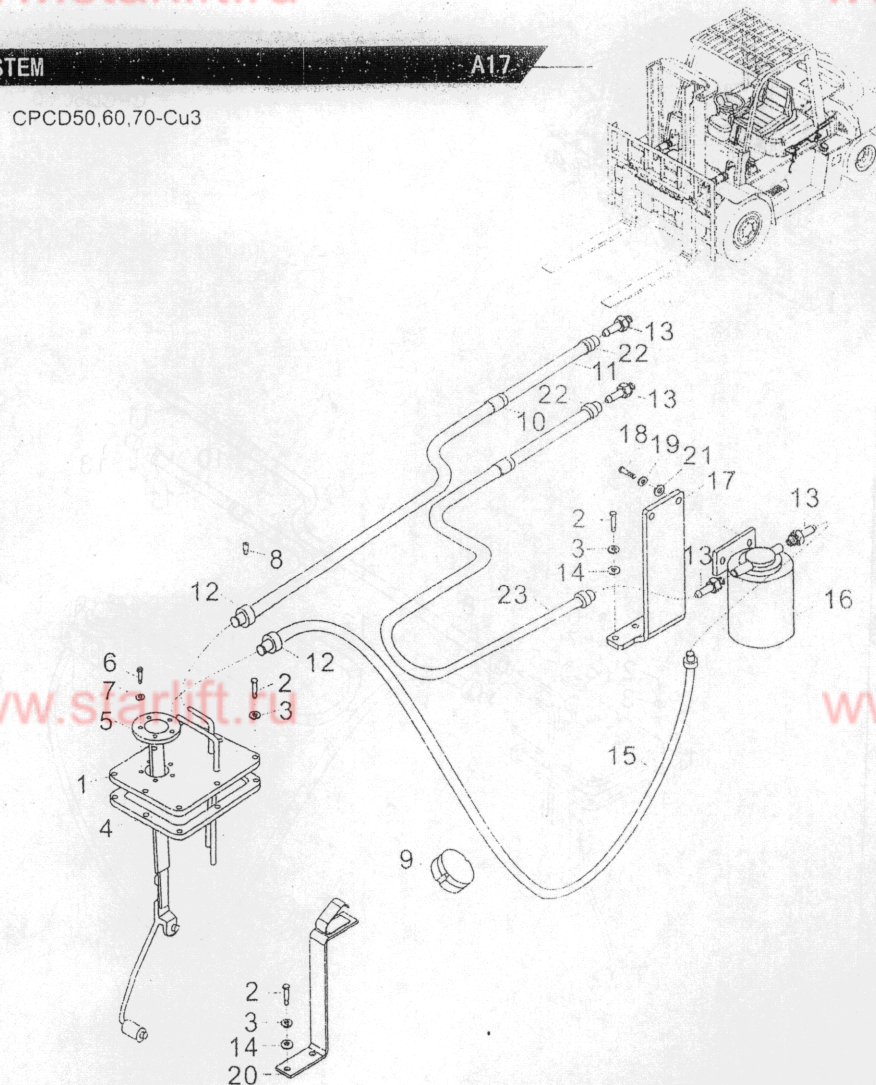


图17/FIG17

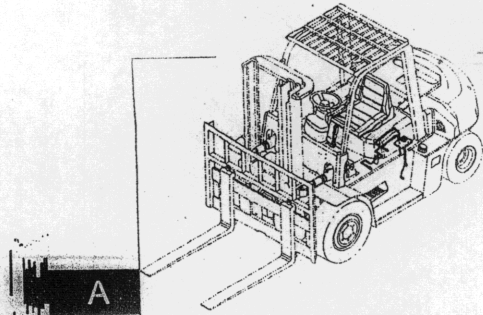
燃油系统/FUEL SYSTEM

A17

序号 Item No	图号 Part No	版本 Edition	零部件名称 Description	件数 Q'ty	备注 Remark
01	H5T02-20201	B.1	Plate ass'y 盖板总成	1	
02	B0330-08020	B.0	Bolt 螺栓M8X20	12	GB5783-86
03	B5050-00008	B.0	Washer, lock 垫圈8	12	GB93-87
04	52252-72071	B.3	Gasket 盖板垫	1	
05	23642-20042G	D.1	Packing 垫	1	
06	B1110-05016	B.0	Bolt 螺钉M5X16	5	GB67-85
07	B5050-00005	B.0	Washer, lock 垫圈5	5	GB93-87
08	G0366-50011	B.0	Drain plug 通气塞Z1/8"	1	
09	25782-21011	B.1	Cover ass'y 油箱盖总成	1	
10	25782-22021	D.1	Lining, rubber 橡胶衬	2	
11	Z7300-10140	B.0	Hose 胶管10X17X1400	1	
12	Z4590-00018	B.0	Clip 双钢丝卡箍φ18	6	
13	JT6021-12061	B.1	Nipple 直通接头	4	
14	B5310-00008	B.0	Washer 垫圈8	4	GB97.1-85
15	Z7300-10140	B.0	Hose 胶管10X17X1400	1	
16	H5T02-20301	B.0	Sedimentor 油水分离器总成	1	
17	H5T02-22021	B.2	Bracket 支架	1	
18	B0330-10020	B.0	Bolt 螺栓M10X20	2	B5783-86
19	B5050-00010	B.0	Washer,lock 垫圈10	2	GB93-87
20	H5T02-20401	B.1	Bracket 燃料管托架	1	
21	B5310-00010	B.0	Washer 垫圈10	2	GB97.1-85
22	Z9260-80350	B.0	Belt clip 捆扎带8X350	2	
23	Z7300-10080	B.0	Hose 胶管10X17X800	1	



A

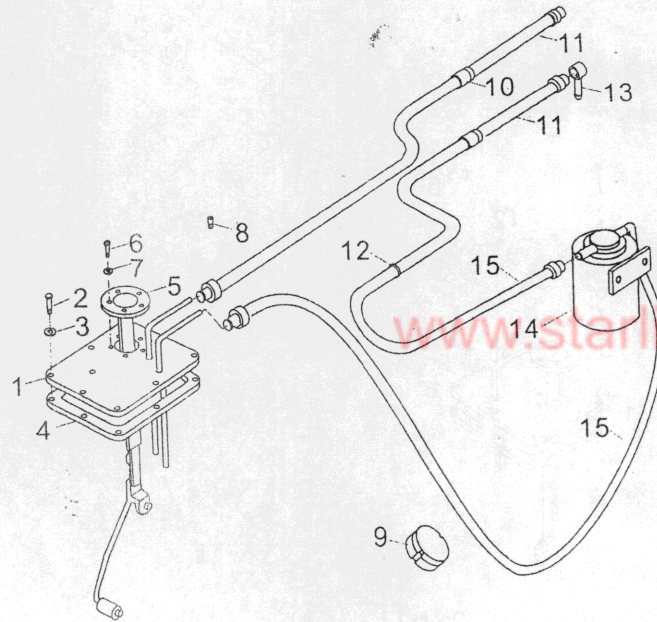


A18

燃油系统/FUEL SYSTEM

图18/FIG

CPCD50,60,70-Cu2



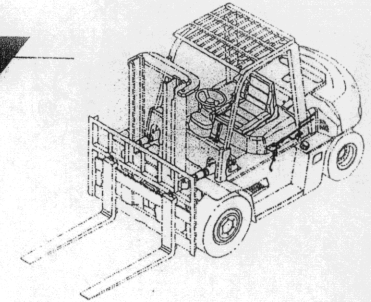
序号 Item No	图号 Part No	版本 Edition	零部件名称 Description	件数 Q'ty	备注 Remarks
A	H58J2-20001	B.3	Fuel system	燃油系统	1
01	H43E2-20212	B.1	Plate ass'y	盖板总成	1
02	B0330-08020	B.0	Bolt	螺栓M8X20	10 GB5783
03	B5050-00008	B.0	Washer, lock	垫圈	10 GB933
04	52252-72071	B.3	Gasket	盖板垫	1
05	23642-20042G	D.1	Packing	垫	1
06	B1110-05016	B.0	Bolt	螺钉M5X16	5 GB677
07	B5050-00005	B.0	Washer, lock	垫圈	5 GB933
08	G0366-50011	B.0	Drain plug	通气塞Z1/8"	1
09	25782-21011	B.1	Cover ass'y	油箱盖总成	1
10	25782-22021	D.1	Lining, rubber	橡胶衬	2
11	Z7300-10170	B.0	Hose	胶管10X17X1700	2
12	Z4590-00018	B.0	Clip	双钢丝卡箍Ø18	8
13	H09E2-22001	B.1	Nipple	接头	1
14	DX200MT-0000	B.0	Sedimentor	油水分离器	1
15	Z7300-10090	B.0	Hose	胶管10X17X900	2

图19/FIG19

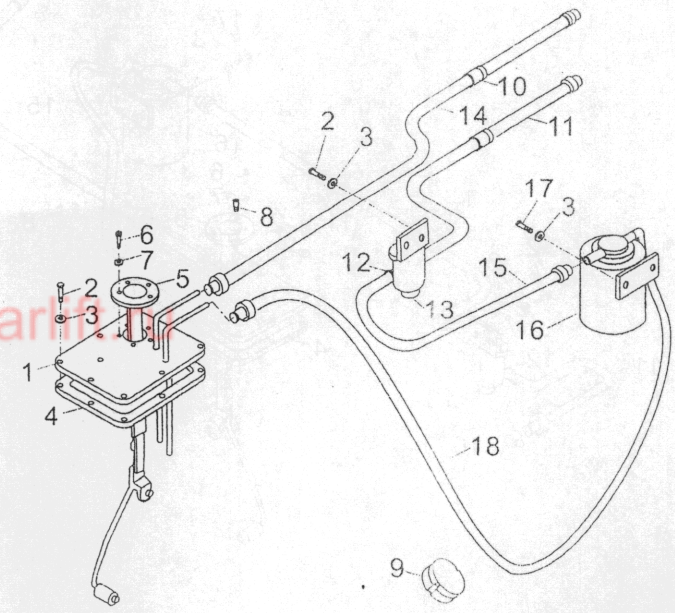
燃油系统/FUEL SYSTEM

A19

序号 Item No	图号 Part No	版本 Edition	零部件名称 Description	件数 Q'ty	备注 Remark
01	H43E2-20212	B.1	Plate ass'y 盖板总成	1	CPCD50,60,70-W2,Cu1 CPCD50,60,70-C6,C8 CPCD50,60-C10
02	B0330-08020	B.0	Bolt 螺栓M8X20	10	GB5783-86
03	B5050-00008	B.0	Washer, lock 垫圈8	12	GB93-87
04	52252-72071	B.3	Gasket 盖板垫	1	
05	23642-20042G	D.1	Packing 垫	1	
06	B1110-05016	B.0	Bolt 螺钉M5X16	5	GB67-85
07	B5050-00005	B.0	Washer, lock 垫圈5	5	GB93-87
08	G0366-50011	B.0	Drain plug 通气塞Z1/8"	1	
09	25782-21011	B.1	Cover ass'y 油箱盖总成	1	
10	25782-22021	D.1	Lining, rubber 橡胶衬	2	
11	Z7300-10034	B.0	Hose 胶管10X17X340	1	CPCD50-70-W2,C6,C8 CPCD50,60-C10
-	Z7300-10130	B.0	Hose 胶管10X17X1300	1	CPCD50-70-Cu1
12	Z4590-00018	B.0	Clip 双钢丝卡箍Ø18	8	
13	H43E2-24001	B.0	Sedimentor 柴油滤清器	1	
14	Z7300-10080	B.0	Hose 胶管10X17X800	1	CPCD50-70-W2,C6,C8 CPCD50,60-C10
-	Z3700-10130	B.0	Hose 胶管10X17X1300	1	CPCD50-70-Cu1
15	Z7300-10090	B.0	Hose 胶管10X17X900	1	CPCD50-70-W2,C6,C8 CPCD50,60-C10
16	DX200MT-0000	B.0	Sedimentor 油水分离器	1	CPCD50-70-W2,C6,C8 CPCD50,60-C10
17	B0320-08025	B.0	Bolt 螺栓M8X25	2	GB5782-86
18	Z7300-10100	B.0	Hose 胶管10X17X1000	1	CPCD50-70-W2,C6,C8 CPCD50,60-C10
-	Z7300-10075	B.0	Hose 胶管10X17X750	1	CPCD50-70-Cu1



A



A20

燃油系统/FUEL SYSTEM

图20/FIG2

CPCD50,60-WF2
CPCD50,60,70-WX,M

序号 Item No	图号 Part No	版本 Edition	零件名称 Description	件数 Q'ty	备注 Remark
01	H43E2-20212	B.1	Plate ass'y 盖板总成	1	
02	B0330-08020	B.0	Bolt 螺栓M8X20	10	GB5783-82
03	B5050-00008	B.0	Washer, lock 垫圈8	10	GB93-87
04	52252-72071	B.3	Gasket 盖板垫	1	
05	23642-20042G	D.1	Packing 垫	1	
06	B1110-05016	B.0	Bolt 螺钉M5X16	5	GB67-85
07	B5050-00005	B.0	Washer 垫圈5	5	GB93-87
08	G0366-50011	B.0	Drain plug 通气塞Z1/8"	1	
09	25782-21011	B.1	Cover ass'y 油箱盖总成	1	
10	H09E2-22001	B.1	Nipple 接头	1	
11	Z7300-10130	B.0	Hose 胶管10X17X1300	2	
12	Z4590-00018	B.0	Clip 双钢丝卡箍∅8	6	
13	H43E2-24001	B.0	Sedimentor 柴油滤清器	1	
14	Z7300-10100	B.0	Hose 胶管10X17X1000	1	
15	Z7300-10090	B.0	Hose 胶管10X17X900	1	
16	DX200MT-0000	B.0	Sedimentor 油水分离器	1	
17	B0330-08025	B.0	Bolt 螺栓M8X25	2	GB5783-1

