

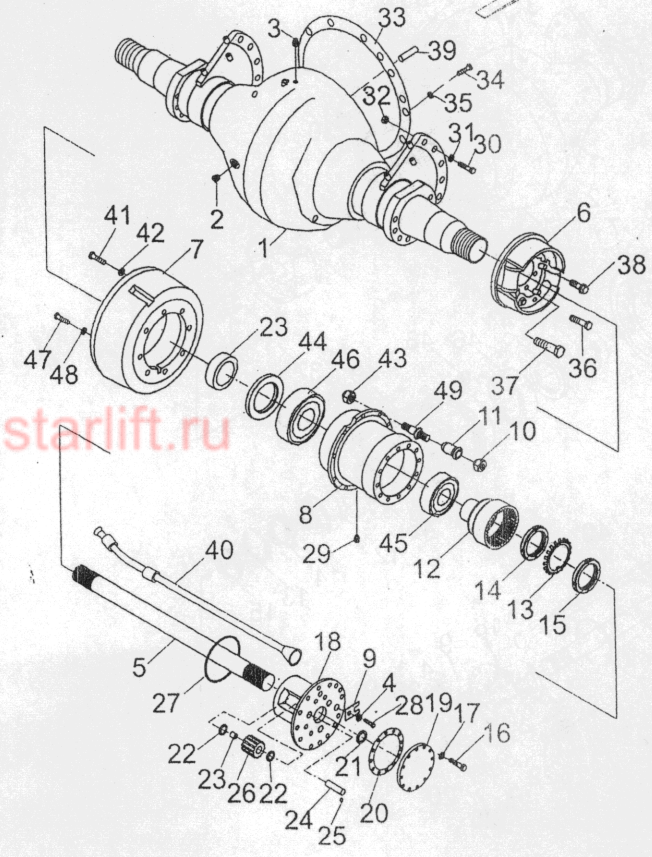
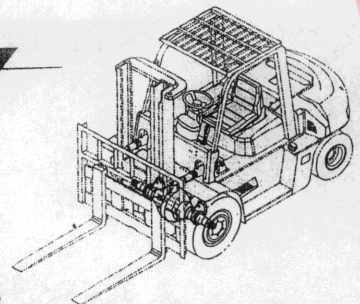
53/FIG53

驱动桥/DRIVE AXLE

C13

图号 Part No	版本 Edition	零部件名称 Description	件数 Qty	备注 Remark
1 25783-02301	B.4	Housing axle 驱动桥壳总成	1	铸钢焊接桥 Cast steel
25783-00301	B.5	Housing axle 驱动桥壳总成	1	冲压焊接桥 Pressing
2 25073-00031	B.0	Plug, drain 桥壳螺塞	2	
3 22253-02063b	B.1	Breather 透气塞总成	1	
4 B5111-00010	B.0	Washer 垫圈10	2	GB93-85
5 25783-02111	B.2	Shaft, axle 半轴	2	
6 HRA45E3701	B.0	Wheel brake ass'y 制动器总成	2	动力制动 See Fig.57 除CPCD50,60,70-C6,WF2
HRA45E3702	B.1	Wheel brake ass'y 制动器总成	2	适用 Option See Fig.57 除CPCD60,70-C6,WF2
REF000649	B.0	Wheel brake ass'y 制动器总成	2	真空助力制动 See Fig.57 CPCD60,70-C6,WF2
7 25783-02311	B.1	Drum 制动鼓	2	
8 25783-02021	B.2	Hub 轮毂	2	
9 25783-02800G	B.2	Plate 支撑板	2	
10 25784-42111	B.1	Nut, hub outer 外螺母	20	
11 25784-42101	B.1	Nut, hub inner 内螺母	20	
12 25783-02101	B.2	Gear, internal 内齿圈	2	
13 REF101274	B.2	Washer, lock 防松垫圈	2	
14 24043-00240	B.0	Nut spindle inner 锁紧螺母(内)M75X2	2	
15 24043-00230	B.0	Nut spindle outer 锁紧螺母(外)M75X2	2	
16 B0530-10025	B.0	Bolt 螺栓M10X1.25X25	12	GB5786-86
17 B5050-00012	B.0	Washer 垫圈12	12	GB93-87
18 25783-02122	B.1	Carrier, planet 行星齿轮支架	2	
19 25783-02171	B.1	Cap, axle shaft 半轴端盖	2	
20 25783-02181	B.1	Washer 端盖纸垫	2	
21 25783-02211	B.1	Washer, thrust 止推垫块	2	
22 25783-02231	B.1	Washer, thrust 止推垫片	12	
23 25783-02801	B.1	Bushing 轴套	6	
24 25783-02151	B.1	Shaft, planet gear 行星齿轮轴	6	
25 Z1510-G0060	B.0	Ball 钢球Ø6	6	GB308-77
26 25783-02133	B.2	Gear, planet 行星齿轮	6	
27 25783-02161	B.1	O-ring 0型密封圈	2	

CPCD50,60-WF2  
CPCD50,60,70-W2,Wx,M,Cu1  
CPCD50,60,70-C6,C8,Cu2,Cu3

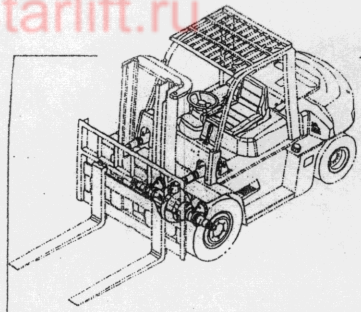


h2000

C

67



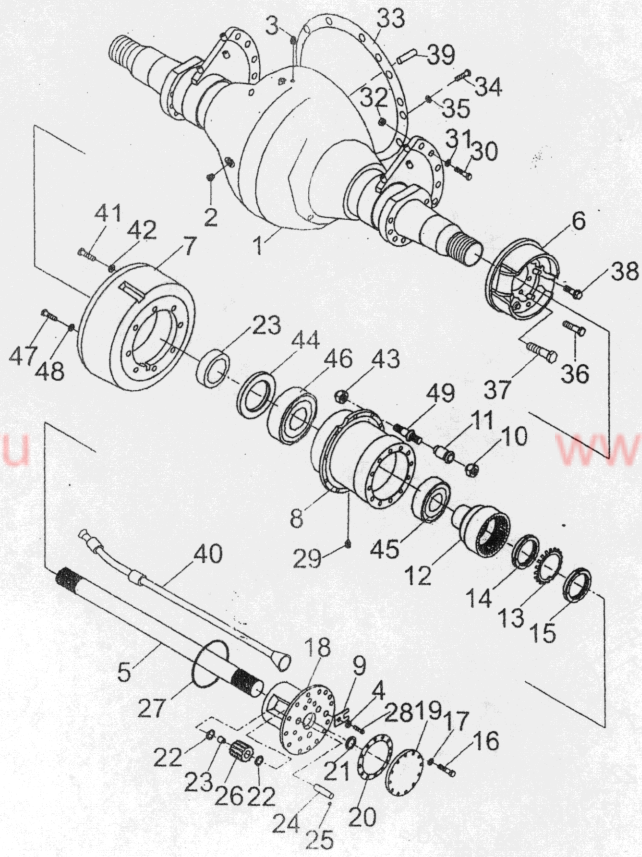


C13

驱动桥/DRIVE AXLE

图53/FIG53

CPCD50,60-WF2  
CPCD50,60,70-W2,Wx,M,Cu1  
CPCD50,60,70-C6,C8,Cu2,Cu3



序号 Item No	图号 Part No	版本 Edition	零部件名称 Description	件数 Q'ty	备注 Remark
28	24453-02061	B.1	Bolt, reamer	螺栓	32
29	22193-03001	B.1	Plug	堵塞	2
30	B0530-24070	B.0	Bolt	螺栓M24X2X70	10 GB5786-86
31	25903-02101	B.1	Washer	垫圈	10
32	B4223-00024	B.0	Nut	螺母M24X2	10 GB6171-86
33	25783-02011	B.1	Packing	纸垫	1
34	B0530-14040	B.0	Bolt	螺栓M14X1.5X40	14 GB5786-86
35	B5050-00014	B.0	Washer, lock	垫圈14	14 GB93-87
36	25783-72542	B.1	Bolt	螺栓	12
37	25783-72552	B.1	Bolt	螺栓	4
38	25783-72562	B.1	Bolt	螺栓	4
39	B3120-12026	B.0	Pin	销B12X26	2 GB119-86
40	25783-02240	B.2	Pipe	充气接管	2
41	A53H3-03021	B.1	Bolt, reamer	铰制螺栓	4
42	REF104412	B.2	Washer	平垫圈	4
43	B4223-00020	B.0	Nut	螺母M20X1.5	20 GB6171-86
44	25783-02061A	B.0	Seal, oil	油封AD4399A0	4
45	25783-02041A	B.0	Bearing, taper roller	轴承33020	2 GB/T297-94
46	25783-02051	B.1	Bearing, taper roller	大轴承	2
47	A53H3-03031	B.1	Bolt	螺栓	12
48	25783-02261	B.1	Washer, conical spring	锥形垫圈	12
49	24353-72001	B.1	Bolt, hub	螺栓柱	20

图  
序  
号  
0  
0  
0



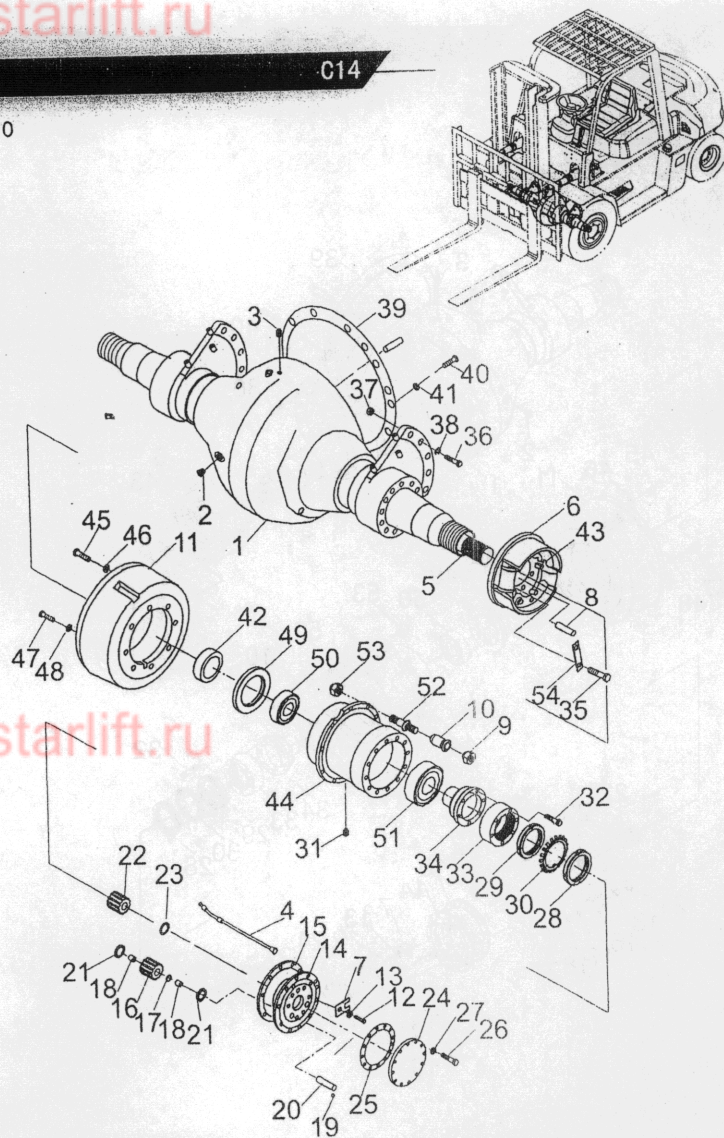
54/FIG54

驱动桥/DRIVE AXLE

C14

CPCD50,60-C10

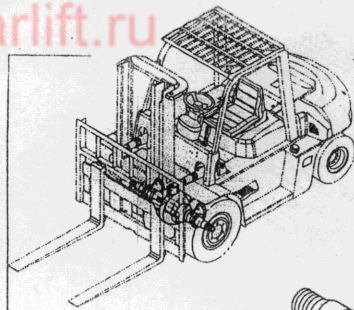
图号 Part No	版本 Edition	零部件名称 Description	件数 Q'ty	备注 Remark
A02Z3-00202	B.0	Housing axle 驱动桥壳总成	1	
25073-00031	B.1	Plug, drain 桥壳螺塞	2	
90106-65690	B.0	Breather 通气塞总成	1	
25783-02240	B.2	Pipe 充气接管	2	
A02Z3-00301	B.1	Shaft, axle 半轴	2	
E02Z3-70011	B.0	Wheel brake ass'y 制动器总成	2	
25783-02800G	B.2	Plate 支撑板	2	
A53H3-03001	B.1	Pin 圆柱销	4	
25784-42111	B.0	Nut, hub outer 外螺母	20	
25784-42101	B.0	Nut, hub inner 内螺母	20	
A53H3-02061	B.7	Hub 轮毂	2	
90100-97090	B.0	Bolt 螺栓	20	
B5050-00014	B.0	Washer, lock 垫圈	34	GB93-87
25803-02081	B.0	Carrier, planet 行星架	2	
25803-02101	B.0	Packing 纸垫	2	
25803-02091	B.0	Gear, planet 行星齿轮	6	
REF106352	B.1	Spacer 滚子隔垫	6	
Z1612-04218	B.0	Needle 滚针4X21.81	348	GB309-77
Z1510-G0095	B.0	Ball 钢球9.5	6	GB308-77
90106-34990	B.0	Shaft, planet gear 行星齿轮轴	6	
90106-35090	B.0	Washer, thrust 止推垫片	12	
25803-02071	B.0	Gear, sun 太阳齿轮	2	
03192-33023	B.1	Ring 轴向卡圈	2	
90106-45490	B.0	Cap, axle shaft 半轴端盖总成	2	
90106-06890	B.0	Gasket 端盖纸垫	2	
B0530-12030	B.0	Bolt 螺栓M12X1.25X30	12	GB5786-86
B5050-00012	B.0	Washer, lock 垫圈	12	GB93-87
24043-00230	B.2	Lock nut, outer 锁紧螺母(外) M75X2	2	
24043-00240	B.2	Lock nut, inter 锁紧螺母(内) M75X2	2	
REF101274	B.2	Washer, lock 防松垫圈	12	



C





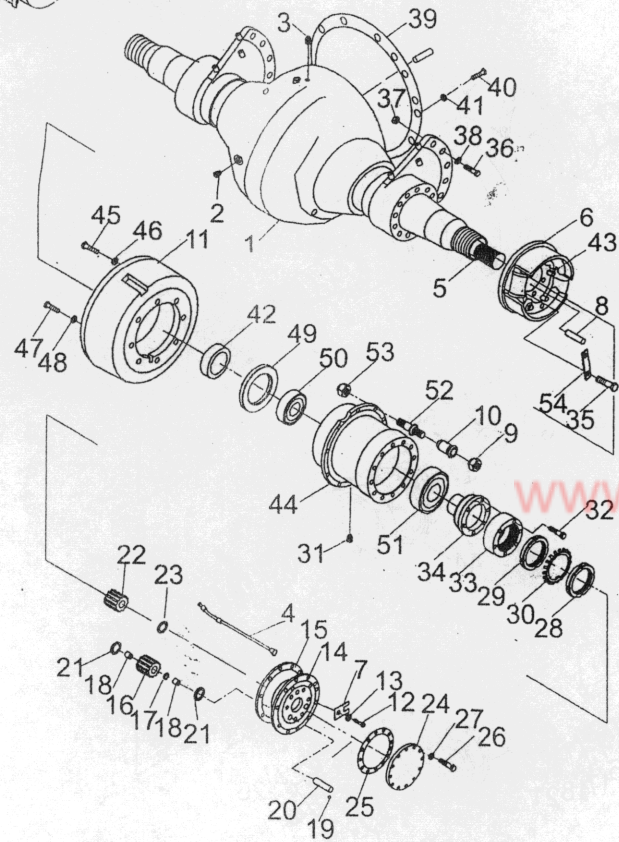


C14

驱动桥/DRIVE AXLE

图54/F1G54

CPCD50,60-C10



序号 Item No	图号 Part No	版本 Edition	零部件名称 Description	件数 Q'ty	备注 Remark
31	22193-03001	B.1	Plug	4	堵塞
32	90106-88090	B.0	Bolt	16	内齿圈螺栓
33	25803-02041	B.0	Gear, internal	2	内齿圈
34	25803-02051	B.0	Gear, internal seat	2	内齿圈座
35	B0530-12025	B.0	Bolt	36	螺栓M12X1.25X25
36	B0530-24070	B.0	Bolt	12	螺栓M24X2X70
37	B4223-00024	B.0	Nut	12	螺母M24X2
38	B5050-00024	B.0	Washer	12	垫圈24
39	25783-02011	B.1	Packing	1	纸垫
40	B0530-14040	B.0	Bolt	14	螺栓M14X1.5X40
41	B5050-00014	B.0	Washer, lock	14	垫圈14
42	A53H3-03011	D.3	Bushing	2	轴套
43	B3210-12030	B.0	Pin	4	销12X30
44	A02Z3-02052	B.4	Drum	2	制动鼓
45	A53H3-03021	B.1	Bolt, reamer	4	铰制螺栓
46	REF104412	B.2	Washer	4	平垫圈
47	A53H3-03031	B.1	Bolt	20	螺栓
48	25783-02261	B.1	Washer, conical spring	20	锥形垫圈
49	A53H3-02071	B.0	Seal, oil	2	油封AB4498E0
50	A53H3-02081	B.0	Bearing, taper roller	2	轴承Z-33021
51	25783-02051	B.1	Bearing, taper roller	2	大轴承
52	24353-72001	B.1	Stud	20	螺栓柱
53	B4223-00020	B.0	Nut, hub	20	螺母M20X1.5
54	A02Z3-02081	B.1	Washer	4	垫片

C



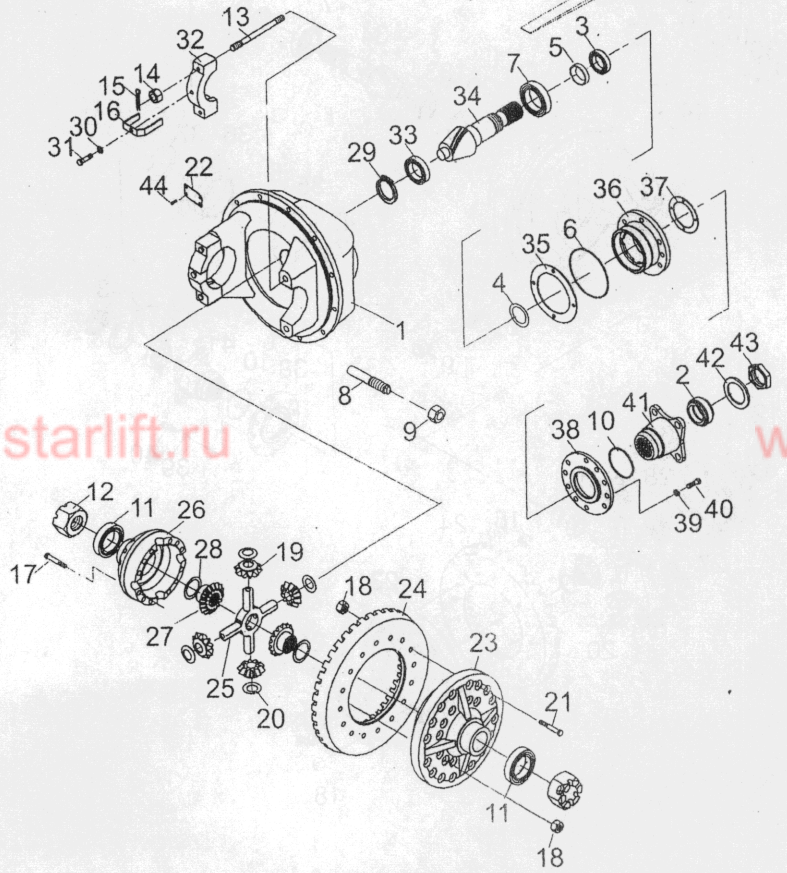
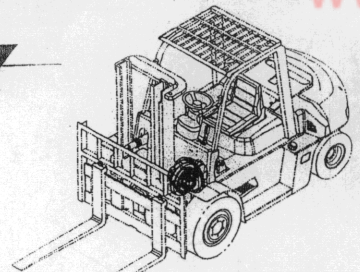
图55/F1G55

减速器和差速器/REDUCTION & DIFFERENTIAL

C15

序号 Item No	图号 Part No	版本 Edition	零部件名称 Description	件数 Q'ty	备注 Remark
A	15783-50001	B.0	Differential unit	1	除CPCD50,60-C10外
-	15803-50001	B.0	Differential unit	1	CPCD50,60-C10
01	15783-52041	B.0	Carrier	1	
02	HG4-692-67	B.0	Oil seal	1	
03	Z-27310E	B.0	Bearing	1	GB297-84
04	REF341660	B.0	Washer, thrust	1	按需 AR
05	13913-52172	D.2	Piece distance	1	
06	Z6004-14003	B.0	O-ring	1	0型密封圈140X3.1 GB1235-76
07	Z-27311E	B.0	Bearing	1	GB297-84
08	90100-95390G	B.0	Bolt ass'y	1	
09	B4413-00022	B.0	Nut	1	螺母M22X1.5 GB6173-86
10	03330-00290	B.0	O-ring	1	0型圈40.64X5.34 GB1235-76
11	Z-7514E	B.0	Bearing	2	轴承7514E GB297-84
12	13913-52071	B.0	Nut	2	调整螺母
13	20313-50071	B.0	Bolt	4	盖用双头螺栓
14	20233-50281	B.0	Nut	4	螺母
15	B3010-04040	B.0	Pin cotter	4	销4X40 GB91-86
16	13913-52081	B.0	Lock adjuster	2	锁片
17	90100-17490G	B.0	Bolt	8	螺栓
18	B4530-00014	B.0	Nut	20	螺母M14X1.5 GB6176-86
19	90100-16990	B.0	Gear planet	4	行星齿轮
20	90100-17201	B.0	Washer, thrust	4	推力垫片
21	15953-52121G	B.0	Bolt	12	螺栓
22	6TY10-00-513	B.0	Decal	1	差速器总成标牌
23	15783-52021G	B.0	Case, L.H. cross	1	差速器左壳体
24	15783-52001G	B.0	Gear	1	大螺旋齿轮 除CPCD50,60-C10外
-	15803-52001G	B.0	Gear	1	大螺旋齿轮 CPCD50,60-C10
25	15783-52031	B.0	Spider	1	十字轴
26	13913-52032G	B.0	Case, R.H. cross	1	差速器右壳体
27	16263-52161G	B.0	Gear side	2	半轴齿轮

CPCD50,60,70



C

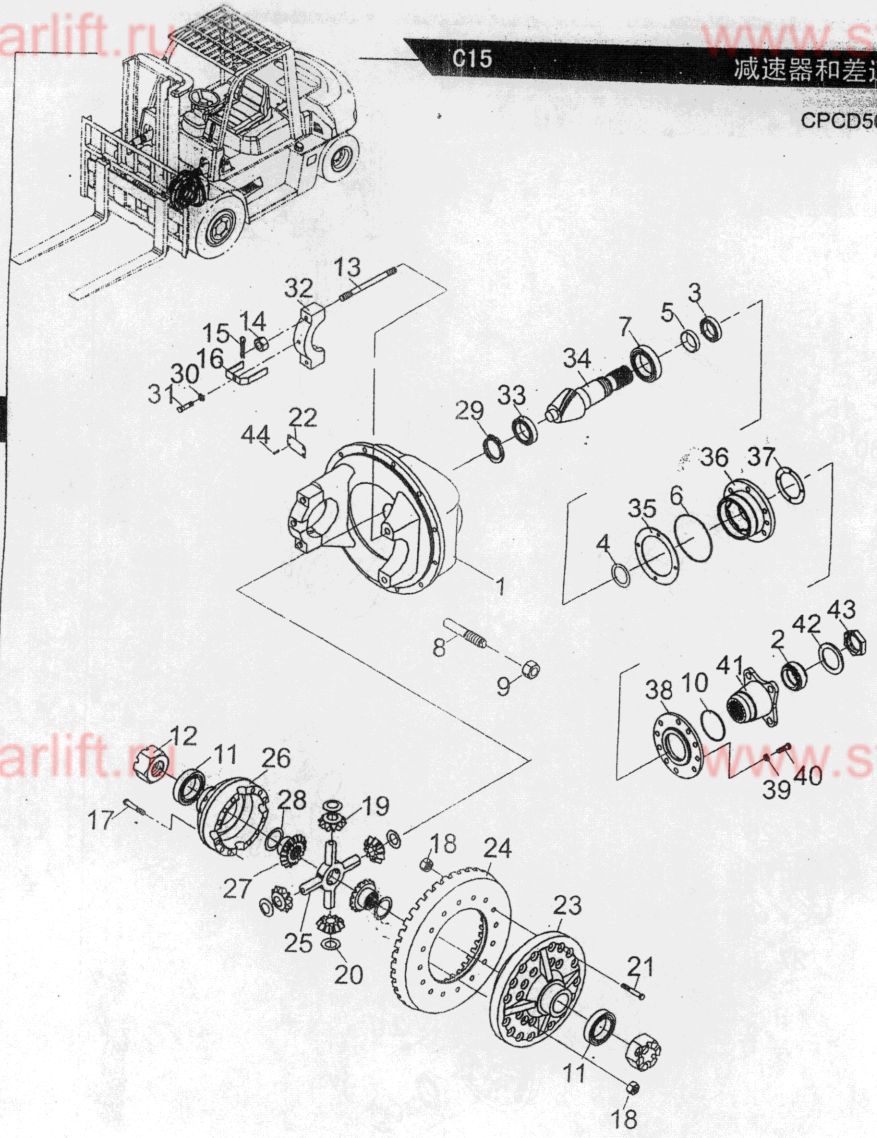


C15

减速器和差速器/REDUCTION & DIFFERENTIAL

图55/FIG55

CPCD50,60,70



序号 Item No	图号 Part No	版本 Edition	零部件名称 Description	件数 Q'ty	备注 Remark
26	REF336236	B.0	Washer, adjuster 调整垫片	按图AR	
29	B6150-00030	B.0	Snap ring 轴用弹性挡圈	30	GB894.1-86
30	B0442-00010	B.0	Washer, lock 垫圈	10	GB93-87
31	B0530-10020	B.0	Bolt 螺栓	M10X1.25X20	2 GB5786-86
32	13913-52051	D.1	Cap 轴承盖	2	
33	Z-92306E	B.0	Bearing taper roller 滚珠轴承	1	
34	15783-52011	B.1	Pinion drive 主动螺旋伞齿轮	1	兼CPCD50,60-C10%
-	15803-52011	B.2	Pinion drive 主动螺旋伞齿轮	1	CPCD50,60-C10
35	REF336791	B.0	Washer, thrust 调整垫片	按图AR	
36	15783-52051	B.0	Case 轴承座	1	
37	15783-52071	B.0	Packing 衬垫	1	
38	15783-52061	B.0	Retainer oil seal 油封座	1	
39	B5050-00014	B.0	Washer, lock 垫圈	14	GB93-87
40	B0430-14050	B.0	Bolt 螺栓	M14X1.5X50	6 GB5785-86
41	15783-52081	B.0	Flang, companion 凸缘	1	
42	15783-52091	B.0	Washer 垫圈	1	
43	15783-52101	B.0	Lock nut 锁紧螺母	1	
44	B2192-03006	B.0	Rivet 铆钉	3X4	4 GB827-86



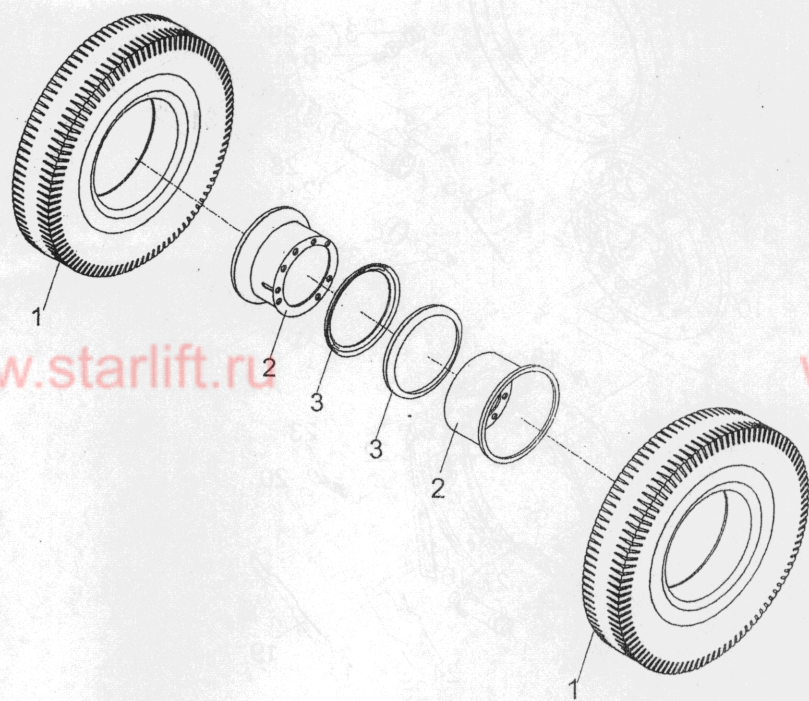
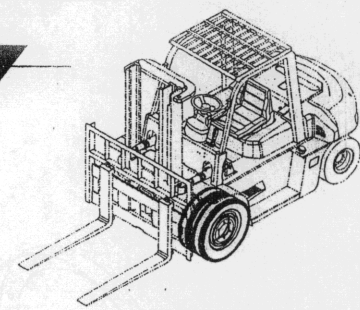
图56/FIG56

驱动轮/DRIVE WHEEL

C16

序号 Item No	图号 Part No	版本 Edition	零部件名称 Description	件数 Qty	备注 Remark
01	Z3005-82515	B.0	Tire 轮胎8.25-15-14PR	4	GB/T2982-2001
-	Z3005-82520	B.0	Tire 轮胎8.25-20-14PR	4	GB/T2982-2001 CPCD50,60-C10
A	25784-40301G	B.0	Rim ass'y(Incl.2,3) 轮辋总成(包含2,3)	4	除CPCD50,60-C10外
-	25904-40302	B.0	Rim 轮辋总成	4	CPCD50,60-C10
02	25784-40010G	B.0	Rim 轮辋	4	除CPCD50,60-C10外
03	25784-40040G	B.0	Snap, ring 挡圈	4	除CPCD50,60-C10外

CPCD50,60,70



C