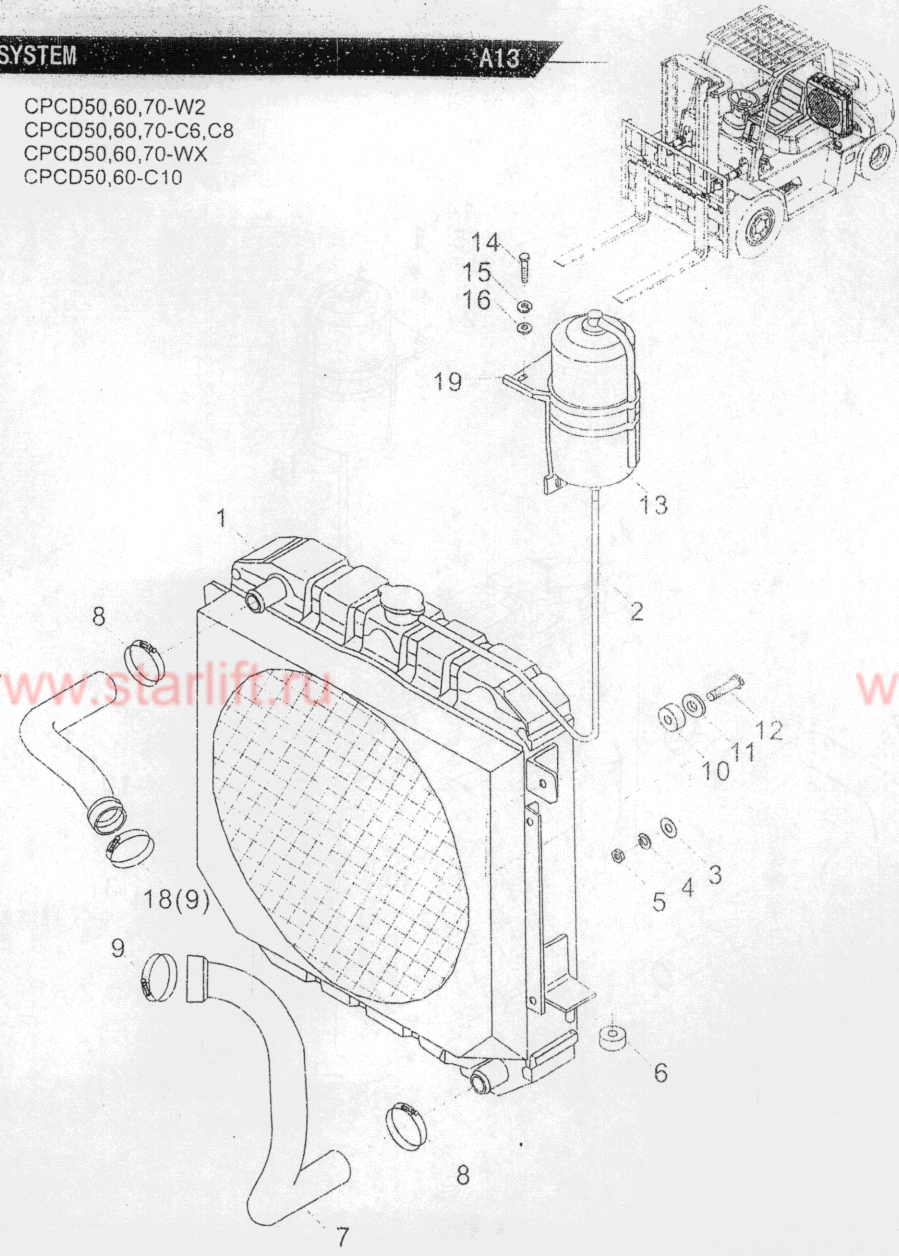


图13/FIG13

冷却系统/COOLING SYSTEM

A13

序号 Item No	图号 Part No	版本 Edition	零部件名称 Description	件数 Qty	备注 Remark
01	H43E2-10202	B.4	Radiator ass'y 散热器总成	1	CPCD50,60,70-W2
-	H08E2-10201	B.4	Radiator ass'y 散热器总成	1	CPCD50,60,70-C6,C8 CPCD50,60-C10
-	H04X2-10101	D.1	Radiator ass'y 散热器总成	1	CPCD50,60,70-WX
02	Z7500-08185	B.0	Hose 橡胶管 $\varnothing$ 8X1850	1	CPCD50,60,70-C6,C8 CPCD50,60-C10
03	B5310-00010	B.0	Washer 垫圈10	2	GB97.1-85
04	B5050-00010	B.0	Washer, lock 垫圈10	2	GB93-87
05	B4123-00010	B.0	Nut 螺母10	2	GB6170-86
06	A22A2-12001	D.1	Rubber spacer 橡胶垫I	2	
07	H43E2-12001	B.1	Hose 下水管	1	CPCD50,60,70-W2
-	25782-12012	B.0	Hose 下水管	1	CPCD50,60,70-C6,C8 CPCD50,60-C10
-	H04X2-12001	D.1	Hose 下水管	1	CPCD50,60,70-WX
08	Z4590-00050	B.0	Clip 双钢丝卡箍 $\varnothing$ 50	2	
09	Z4590-00065	B.0	Clip 双钢丝卡箍 $\varnothing$ 65	1	
-	Z4590-00055	B.0	Clip 双钢丝卡箍 $\varnothing$ 55	2	CPCD50,60,70-WX
10	A22A2-12031	D.1	Rubber spacer 橡胶垫II	2	
11	22252-32251	D.1	Spacer 垫片	2	
12	B0230-10055	B.0	Bolt 螺栓M10X55	2	GB5782-86
13	25782-10401	D.1	Tank reserve ass'y 散热器备用罐	1	CPCD50,60,70-C6,C8 CPCD50,60-C10
-	H04X2-10201	B.1	Tank reserve ass'y 散热器备用罐	1	CPCD50,60,70-WX
14	B0110-08016	B.0	Bolt 螺栓M8X16	5	GB5781-86 CPCD50,60,70-WX
-				3	CPCD50,60,70-C6,C8 CPCD50,60-C10
15	B5310-00008	B.0	Washer 垫圈8	5	GB97.1-85 CPCD50,60,70-WX
-				3	CPCD50,60,70-C6,C8 CPCD50,60-C10
16	B5050-00008	B.0	Washer, lock 垫圈8	5	GB93-87 CPCD50,60,70-WX
-				3	CPCD50,60,70-C6,C8 CPCD50,60-C10
17	H43E2-12011	B.2	Hose 上水管	1	CPCD50,60,70-W2
-	H08E2-12001	B.1	Hose 上水管	1	CPCD50,60,70-C6,C8 CPCD50,60-C10
-	H04X2-12011	D.1	Hose 上水管	1	CPCD50,60,70-WX
18	Z4590-00060	B.1	Clip 双钢丝卡箍 $\varnothing$ 60	1	CPCD50,60,70-W2,C6,C8 CPCD50,60-C10
19	H04X2-10301	B.1			



A

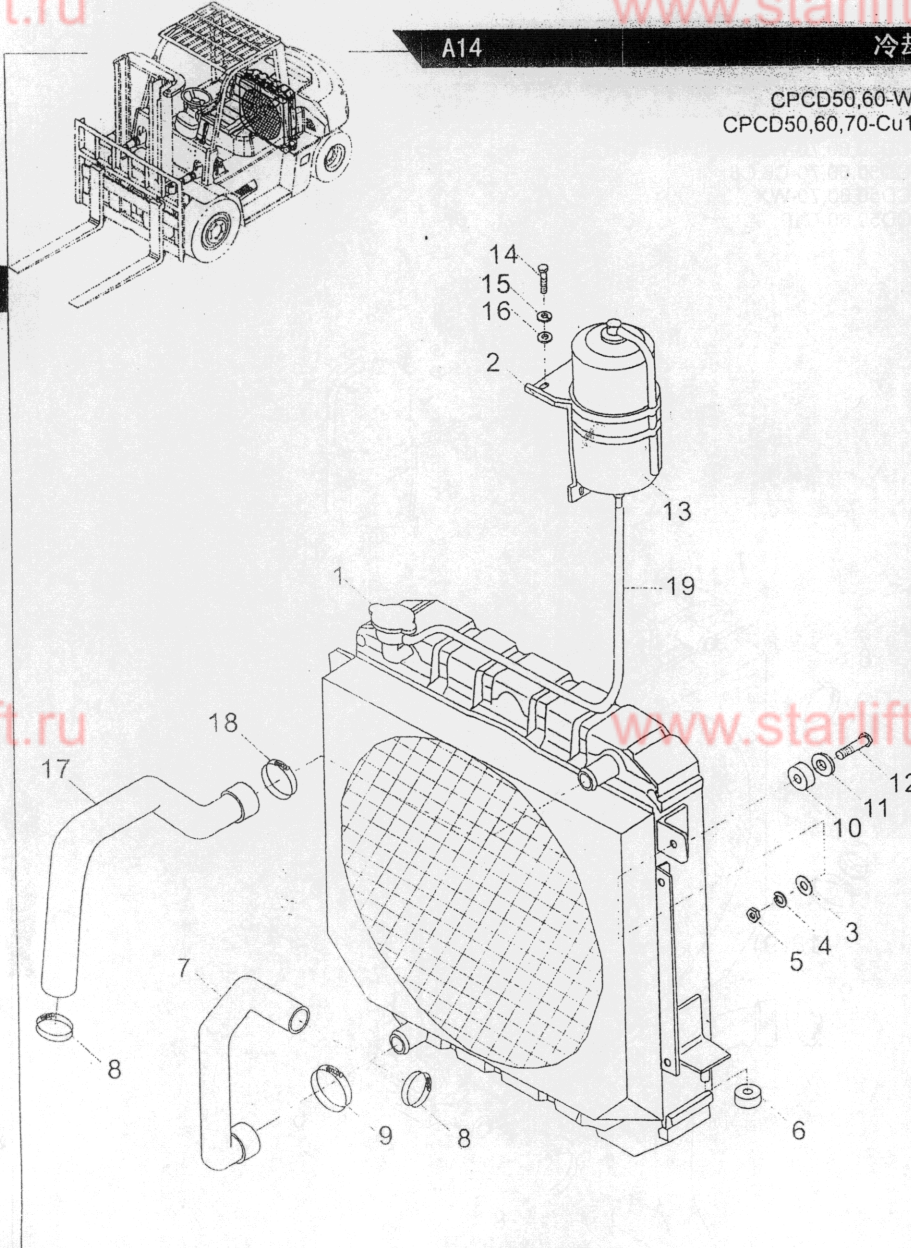
A14

冷却系统/COOLING SYSTEM

图14/FIG14

CPCD50,60-WF2  
CPCD50,60,70-Cu1,M

序号 Item No	图号 Part No	版本 Edition	零件名称 Description	件数 Q'ty	备注 Remarks
01	H09E2-10201	B.4	Radiator ass'y	1	CPCD50,60
-	H48E2-10201	B.2	Radiator ass'y	1	CPCD50-70
-	H42X2-10201	B.2	Radiator ass'y	1	CPCD50-70
02	H09E2-10303	B.1	Bracket	1	CPCD50,60
03	B5310-00010	B.0	Washer	2	GB97.1-8
04	B5050-00010	B.0	Washer, lock	2	GB93-87
05	B4123-00010	B.0	Nut	2	GB6170-8
06	A22A2-12001	D.1	Rubber spacer	2	
07	H09E2-12001	B.1	Hose	1	CPCD50,60
-	H46E2-12011	B.0	Hose	1	CPCD50-70
-	H42X2-12011	B.1	Hose	1	CPCD50-70
08	Z4590-00050	B.0	Clip	2	双钢丝卡箍φ50
09	Z4590-00065	B.0	Clip	1	双钢丝卡箍φ65
-	Z4590-00058	B.0	Clip	1	双钢丝卡箍φ58
-	Z4590-00050	B.0	Clip	1	双钢丝卡箍φ50
10	A22A2-12031	D.1	Rubber spacer	2	橡胶垫II
11	22252-32251	D.1	Spacer	2	垫片
12	B0230-10055	B.0	Bolt	2	螺栓M10X55
13	25782-10401	D.1	Tank reserve ass'y	1	散热器备用罐
14	B0010-08016	B.0	Bolt	3	螺栓M8X16
15	B5310-00008	B.0	Washer	3	垫圈8
16	B5050-00008	B.0	Washer, lock	3	垫圈8
17	H09E2-12011	B.1	Hose	1	上水管
-	H46E2-12001	B.0	Hose	1	上水管
-	H42X2-12001	B.2	Hose	1	上水管
18	Z4590-00060	B.0	Clip	1	双钢丝卡箍φ60
-	Z4590-00045	B.0	Clip	1	双钢丝卡箍φ45
-	Z4590-00050	B.0	Clip	1	双钢丝卡箍φ50
19	Z7500-08185	B.0	Hose	1	橡胶管φ8×1850



14

HELI

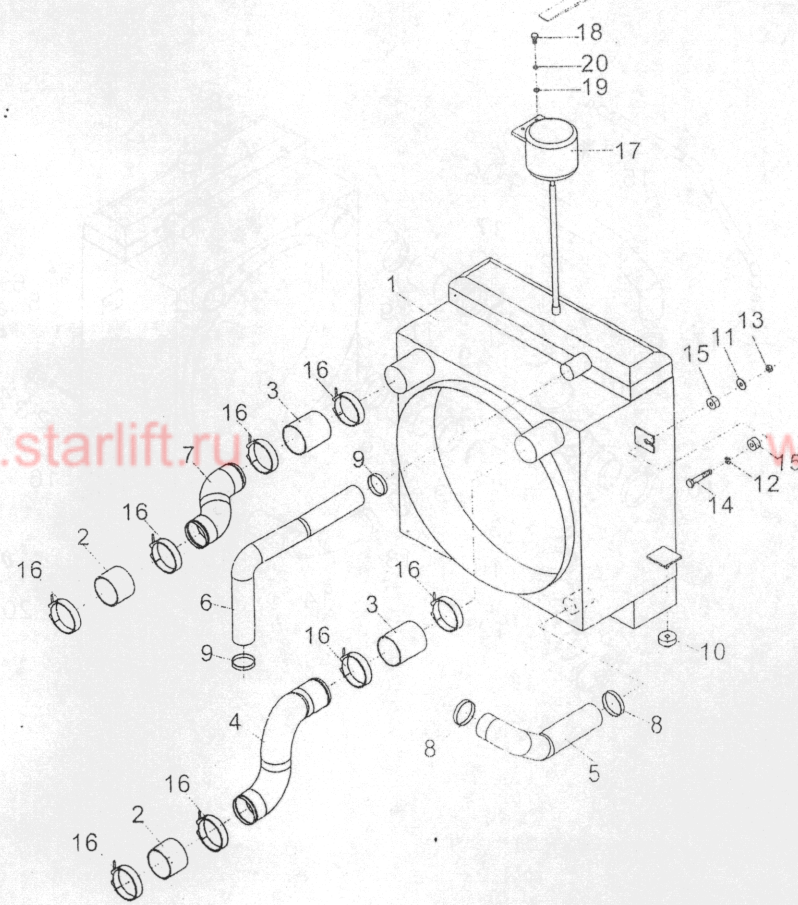
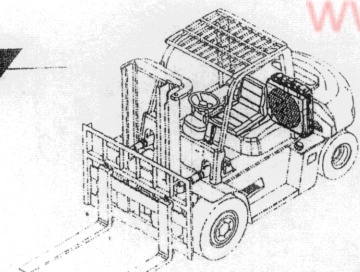
图15/FIG15

冷却系统/COOLING SYSTEM

A15

CPCD50,60,70-Cu2

序号 Item No	图号 Part No	版本 Edition	零部件名称 Description	件数 Qty	备注 Remark
A	H58J2-10001	B.2	Cooling system	1	冷却系统
01	H58J2-10201	B.1	Radiator ass'y	1	散热器总成
02	H58J2-12051	B.1	Hose	2	中冷接管1
03	H58J2-12061	B.1	Hose	2	中冷接管2
04	H58J2-12031	B.1	Hose	1	中冷进气管
05	H58J2-12011	B.1	Hose	1	下水管
06	H58J2-12001	B.1	Hose	1	上水管
07	H58J2-12041	B.1	Hose	1	中冷出气管
08	Z4590-00060	B.0	Clip	2	双钢丝卡箍 $\phi$ 60
09	Z4590-00055	B.0	Clip	2	双钢丝卡箍 $\phi$ 55
10	A22A2-12001	D.1	Rubber	2	橡胶垫
11	22252-32251	D.1	Washer	2	垫片
12	B5310-00010	B.0	Washer	2	垫圈10 GB97.1-85
13	B4123-00010	B.0	Nut	2	螺母10 GB6170-86
14	B0230-10055	B.0	Bolt	2	螺栓M10X5 GB5782-86
15	22252-32241	D.1	Rubber	4	橡胶垫
16	H58J2-12021	B.1	Clip	8	T型抱箍 $\phi$ 82.6
17	25782-10401	D.1	Tank reservoir	1	散热器备用罐
18	B0110-08016	B.0	Bolt	3	螺栓M8X16 GB5781-86
19	B5310-00008	B.0	Washer	3	垫圈8 GB97.1-85
20	B5050-00008	B.0	Washer,lock	3	垫圈8 GB93-87



A

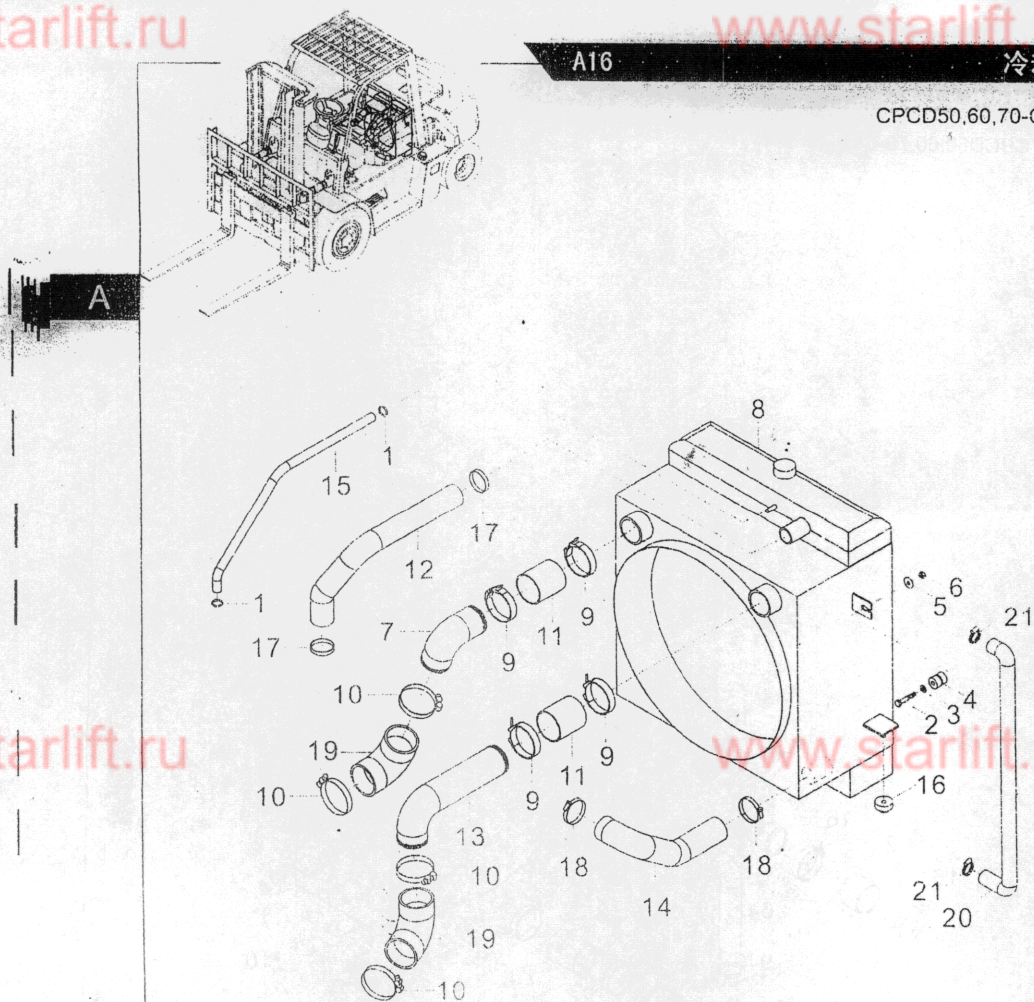
h2000

A16

冷却系统/COOLING SYSTEM

图16/FIG16

CPCD50,60,70-Cu3



序号 Item No	图号 Part No	版本 Edition	零部件名称 Description	件数 Q'ty	备注 Remark
A	H5T02-10001	B.1	Cooling system 冷却系统	1	
01	Z4590-00020	B.0	Clip 双钢丝卡箍 $\phi$ 20	2	
02	B0230-10055	B.0	Bolt 螺栓M10x55	2	GB5782-E
03	B5310-00010	B.0	Washer 垫圈10	2	GB97.1-E
04	A22A2-12031	D.1	Rubber spacer 橡胶垫II	2	
05	B4123-00010	B.0	Nut 螺母M10	2	GB6170-E
06	22252-32251	D.1	Spacer 垫片	2	
07	H5T02-12031	B.2	Hose 中冷出气管	1	
08	H5T02-10201	B.1	Radiator 散热器总成	1	
09	H58J2-12021	B.1	Clip T形抱箍 $\phi$ 82.6	4	
10	H5T01-02321	B.1	Hose T形抱箍 $\phi$ 95	4	
11	H58J2-12051	B.1	Hose 中冷联接管1	2	
12	H5T02-12001	B.1	Hose 上水管	1	
13	H5T02-12021	B.2	Hose 中冷进气管	1	
14	H5T02-12011	B.1	Hose 下水管	1	
15	H5T02-12041	B.2	Hose 透气管	1	
16	A22A2-12001	D.1	Rubber 橡胶垫I	2	
17	Z4590-00055	B.0	Clip 双钢丝卡箍 $\phi$ 55	2	
18	Z4590-00065	B.0	Clip 双钢丝卡箍 $\phi$ 65	2	
19	H5T02-12051	B.1	Hose 中冷进气胶管	2	
20	H5T02-12061	B.1	Hose 水箱注水管	1	
21	Z4590-00035	B.0	Clip 双钢丝卡箍 $\phi$ 35	2	