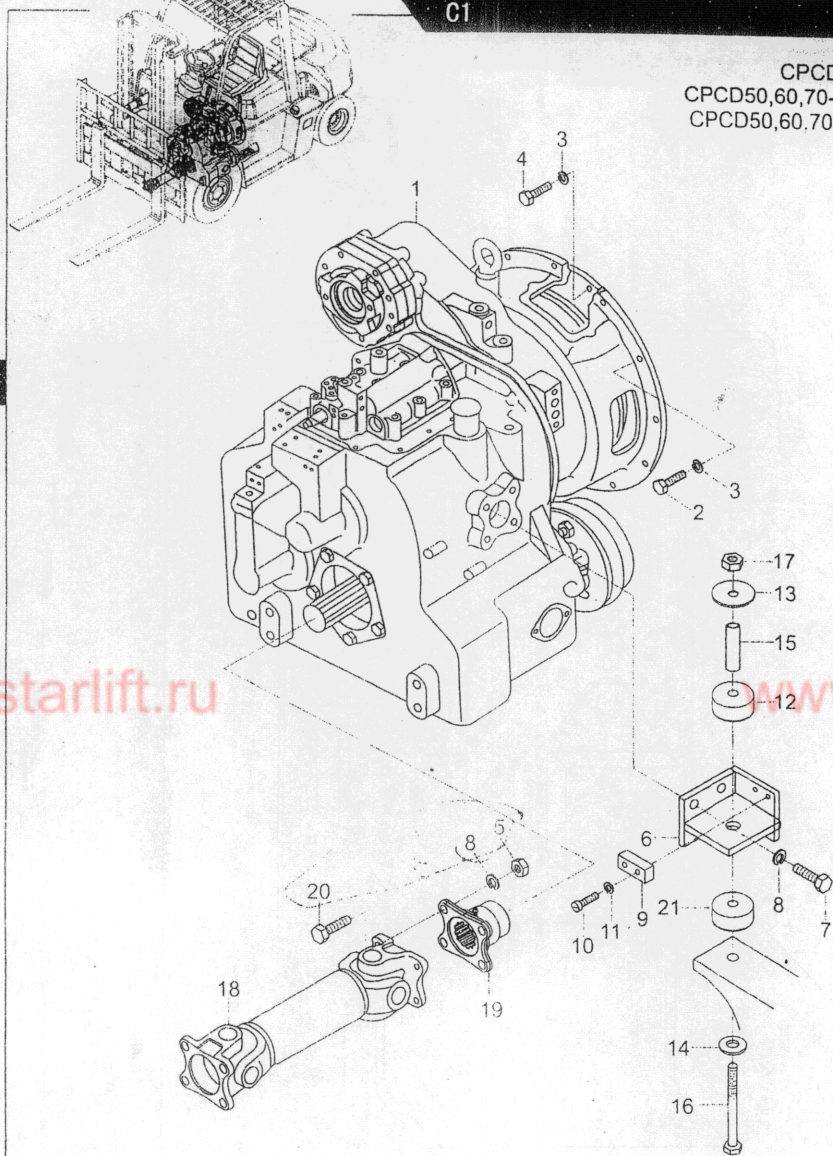


C1

传动装置安装/DRIVE UNIT MOUNT

图41/FIG41

CPCD50,60-C10  
CPCD50,60,70-C6,C8,Cu1  
CPCD50,60,70-Cu2,W2,M



序号 Item No	图号 Part No	版本 Edition	零件名称 Description	件数 Qty	备注 Remark
01	REF000619	B.1	Drive unit	1	CPCD50-70-W2,C6,C8 CPCD50-70-Cu1,Cu2 CPCD50,60-C10
-	A01F3-80201	B.0	Drive unit	1	CPCD50,60-WF2 CPCD50,60,70-WX
-	H42X2-50201	B.1	Drive unit	1	CPCD50-70-M
02	B0330-10030	B.0	Bolt	12	螺栓M10x30 GB5783-86 除CPCD50-70-M
03	B5050-00010	B.0	Washer,lock	11	CPCD50-70-M
			垫圈	10	GB93-87 除CPCD50-70-M
				21	CPCD50-70-M
04	B0330-10025	B.0	Bolt	10	螺栓M10x25 GB5783-86 除CPCD50-70-M
-	B0530-10025	B.0	Bolt	10	螺栓M10x1.25x25 GB5786-86 CPCD50-70-M
05	B4230-00016	B.0	Nut	8	螺母M16x1.5 GB6171-86
06	25782-52002	B.0	Bracket,drive	2	传动支架 除CPCD50,60,70-Cu2
-	H40X2-50101	B.2	Bracket,drive	2	传动支架 CPCD50,60,70-Cu2
07	B0530-16035	B.0	Bolt	8	螺栓M16x1.5x35 GB5786-86
08	B5050-00016	B.0	Washer,lock	16	垫圈16 GB93-87
09	27419-43321	D.1	Cushion,rubber	2	缓冲垫 GB67-85
10	B1110-06012	B.0	Screw	4	螺钉M6x12 GB67-85
11	B5310-00006	B.0	Washer	4	垫圈6 GB97.1-85
12	22571-02011	D.1	Cushion,rubber	2	橡胶垫 除CPCD50,60,70-Cu2
13	25782-52041	B.0	Washer	2	垫圈 除CPCD50,60,70-Cu2
14	23651-02001	D.1	Shim	2	垫片 除CPCD50,60,70-Cu2
-	H40X2-52001	B.2	Washer	2	垫圈 CPCD50,60,70-Cu2
15	22671-02001	B.1	Plastic pipe	2	套管 除CPCD50,60,70-Cu2
16	B0230-10100	B.0	Bolt	2	螺栓M10x100 GB5782-86 除CPCD50,60,70-Cu2
-	B0240-20120	B.0	Bolt	2	螺栓M20x120 GB5782-86 CPCD50,60,70-Cu2
17	B4116-00010	B.0	Nut	2	螺母M10 GB6170-86 除CPCD50,60,70-Cu2
-	B4130-00020	B.0	Nut	2	螺母M20 GB6170-86 CPCD50,60,70-Cu2
18	HRH43E3301 H43E3-30201	B.3	Propeller sheft ass'y	1	传动轴总成 除CPCD50-70-M
-	A06H3-30401	B.1	Propeller sheft ass'y	1	传动轴总成 CPCD50-70-M
19	25783-32001G	B.0	Joint bushing	1	联接套
20	25783-32101	B.0	Bolt	8	铰制螺栓

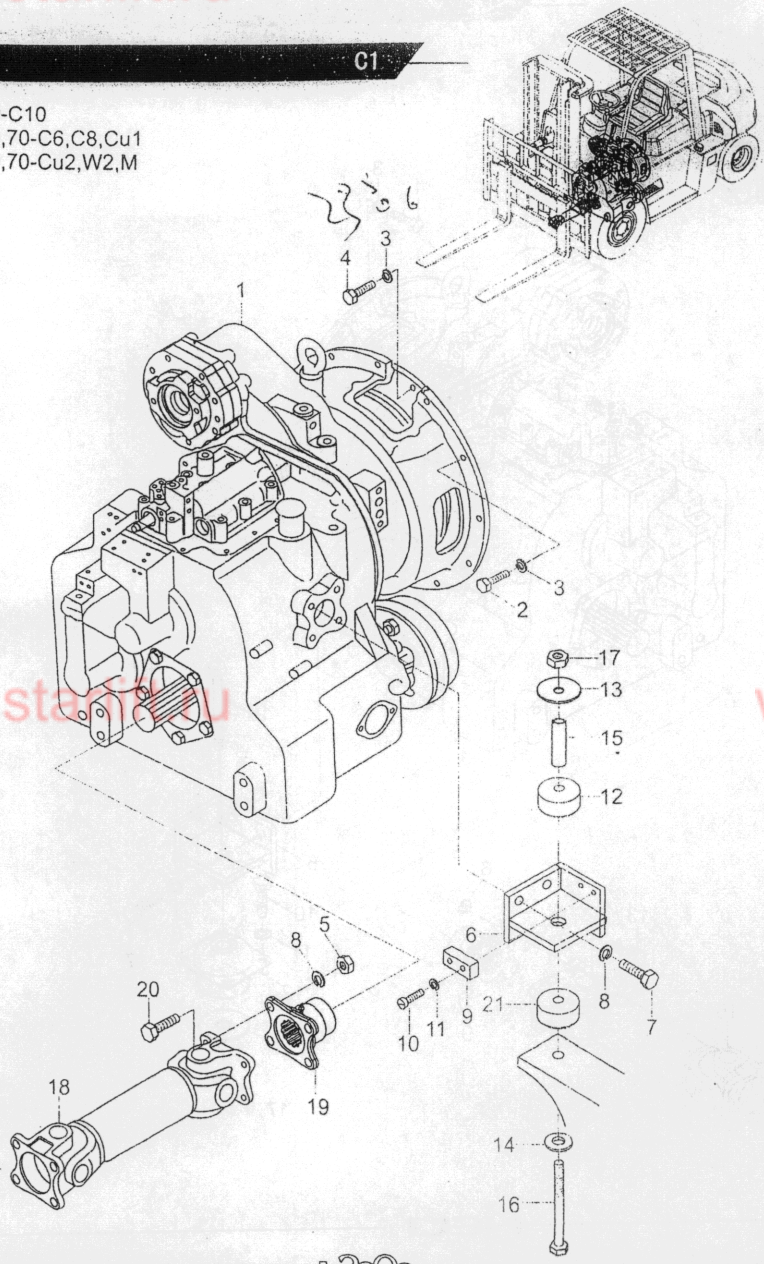


41/FIG41

传动装置安装/DRIVE UNIT MOUNT

C1

图号 Part No	版本 Edition	零部件名称 Description	件数 Q'ty	备注 Remark
H43E3-92151	D.1	Cushion,rubber 橡胶垫	2	CPCD50,60,70-Cu2
CB_2204_2	B.0	Cushion 后减震垫	2	CPCD50,60,70-Cu2
				CPCD50,60-C10
				CPCD50,60,70-C6,C8,Cu1
				CPCD50,60,70-Cu2,W2,M



C

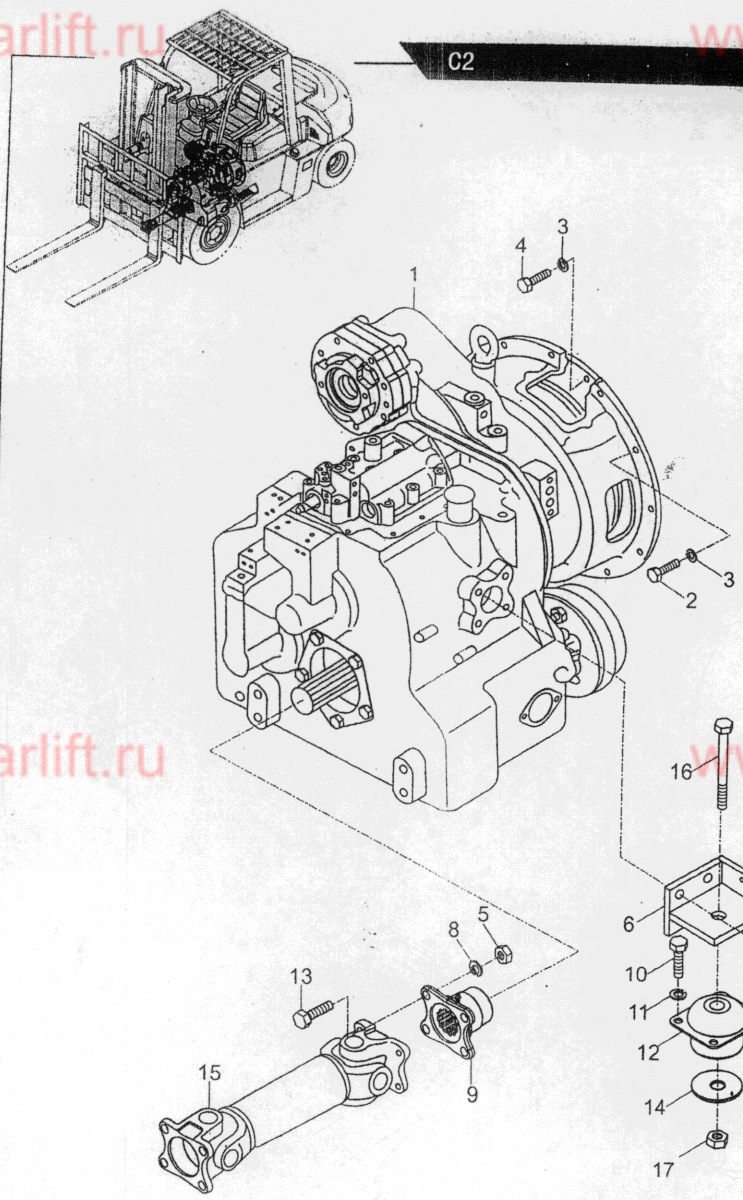


C2

传动装置安装/DRIVE UNIT MOUNT

图42/FIG42

CPCD50,60,70-Cu3



序号 Item No	图号 Part No	版本 Edition	零部件名称 Description	件数 Q'ty	备注 Remark
01	REF000619	B.1	Drive unit 传动装置	1	
02	B0330-10030	B.0	Bolt 螺栓M10x30	12	GB5783-86
03	B5050-00010	B.0	Washer,lock 垫圈10	22	GB93-87
04	B0330-10025	B.0	Bolt 螺栓M10x25	10	GB5783-86
05	B4216-00016	B.0	Nut 螺母M16x1.5	8	GB6171-86
06	H5T02-50201	B.0	Bracket,drive 传动支架	2	
07	B0630-16035	B.0	Bolt 螺栓M16x1.5x35	8	GB5786-86
08	B5050-00016	B.0	Washer,lock 垫圈16	16	GB93-87
09	25783-32001G	B.0	Joint bushing 联接套	1	
10	B0330-12030	B.0	Bolt 螺栓M12x30	8	GB5783-86
11	B5050-00012	B.0	Washer,lock 垫圈12	8	GB93-87
12	J-2113-4	B.0	Cushion 后减震垫	2	
13	25783-32101	B.0	Bolt 铰制螺栓	8	
14	H5T01-02051	B.1	Shim 垫圈	2	
15	HRH43E3301 H43E3-30201	B.3	Propeller shaft ass'y 传动轴总成	1	
16	B0240-20110	B.0	Bolt 螺栓M20x110	2	GB5782-86
17	B4130-00020	B.0	Nut 螺母M20	2	GB6170-86

C



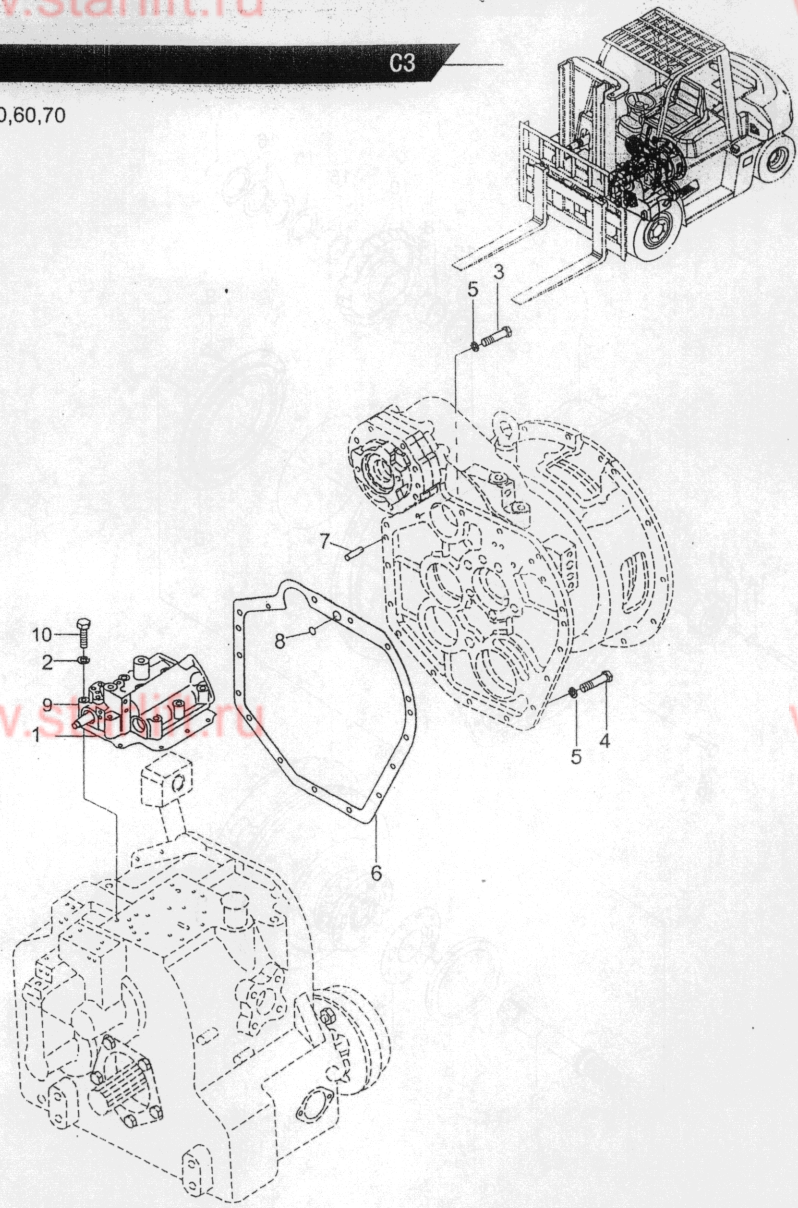
图43/FIG43

传动装置/DRIVE UNIT

C3

CPCD50,60,70

序号 Item No	图号 Part No	版本 Edition	零部件名称 Description	件数 Q'ty	备注 Remark
01	15793-82401	B.1	Gasket 垫片	1	
02	B5050-00008	B.0	Washer,lock 垫圈8	9	GB93-87
03	B0430-10065	B.0	Bolt 螺栓M10X1.25X65	1	GB5785-86
04	B0430-10030	B.0	Bolt 螺栓M10X1.25X30	11	GB5785-86
05	B5050-00010	B.0	Washer,lock 垫圈10	12	
06	15793-82651	D.1	Gasket 垫	1	GB93-87
07	B3120-10020	B.0	Pin 销B10X20	2	GB119-86
08	Z6003-01502	B.0	O-ring O形圈15X2.4	1	GB1235-76
09	15793-80291	B.1	Control valve assy 控制阀总成	1	See Fig.48
10	B0230-08055	B.0	Bolt 螺栓M8X55	9	GB5782-86



C

h200n

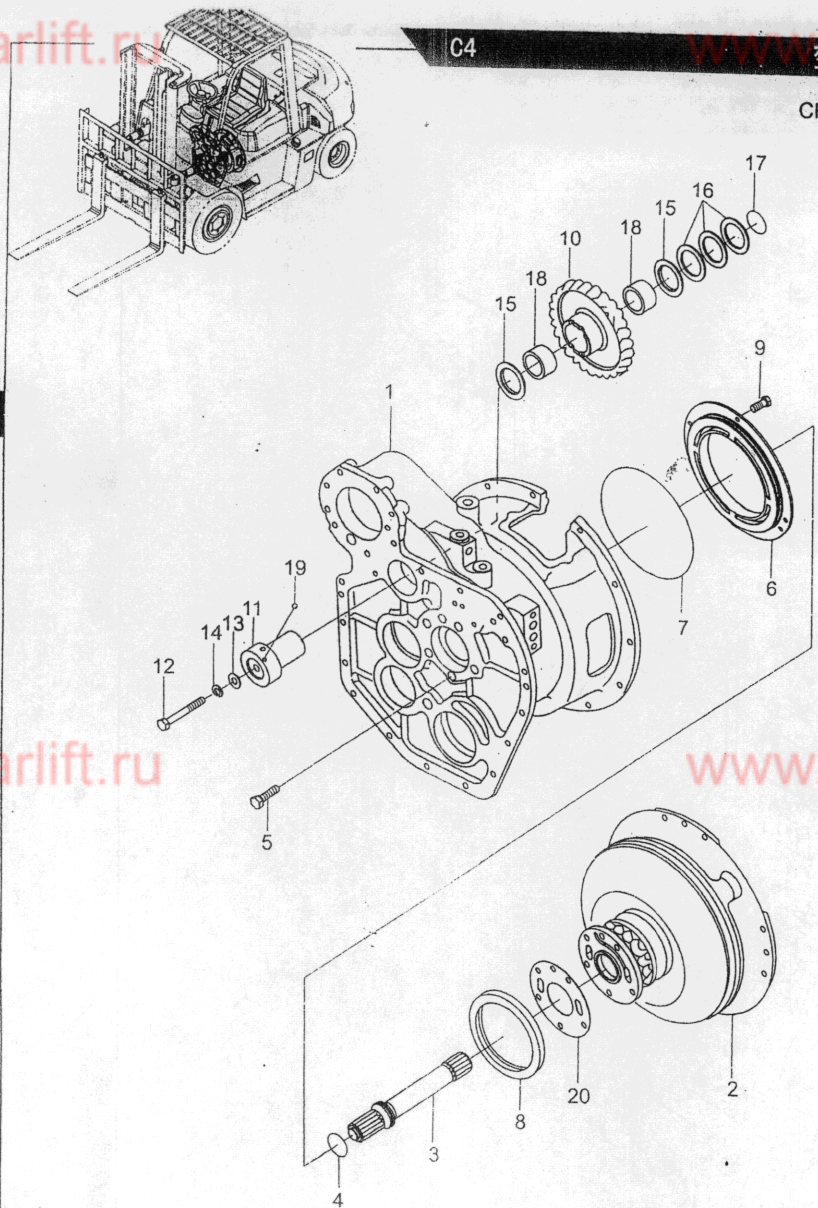


C4

变矩器 (1/2) / TORQUE-CONVERTER (1/2)

图44/FIG44

CPCD50,60,70



序号 Item No	图号 Part No	版本 Edition	零部件名称 Description	件数 Q'ty	备注 Remark
01	15793-82001	D.1	Case, tor-con	1	CPCD50-70-W20-C04 CPCD50-60-C10 CPCD50-70-C11-C22-03
-	A01F3-82021	B.0	Case, tor-con	1	CPCD50,60-WF2 CPCD50,60,70-WX
02	15943-80211	B.1	Tor-con ass'y	1	CPCD50-70-W20-C04 CPCD50,60-C10 CPCD50-70-C11-C22-03
-	A01F3-80301	B.0	Tor-con ass'y	1	CPCD50,60-WF2 CPCD50,60,70-WX
03	H42X2-50301	B.0	Tor-con ass'y	1	CPCD50,60,70-M
03	15793-82661	D.1	Shaft, turbin	1	涡轮轴
04	15943-82074	B.0	Ring, sed	1	密封环
05	B8030-10050	B.0	Screw	6	螺钉M10X50
06	15943-82091	D.1	Back cover	1	后盖
07	Z6003-22005	B.0	O-ring	1	O形圈220X5.7
08	HG4-692-67	B.0	Oil seal	1	油封SG130X160X15
09	B0430-08015	B.0	Bolt	3	螺栓M8X1X15
10	15943-82122	D.1	Gear	1	惰轮
11	15943-82132	D.1	Supper	1	惰轮支承
12	01103-10105	D.1	Bolt	1	螺栓
13	B5310-00010	B.0	Washer	1	垫圈10
14	B5050-00010	B.0	Washer lock	1	垫圈10
15	15943-82151	D.1	Bearing	2	推力滚针轴承
16	15943-82161	D.1	Washer	3	止推垫圈
17	15943-82841	D.1	Shim	2	调整垫片
18	15793-82671	D.1	Bearing	2	滚针轴承
19	Z1505-01004	B.0	Ball, steel	1	钢球1/4"
20	15943-80212	D.1	Gasket	1	变矩器垫

C

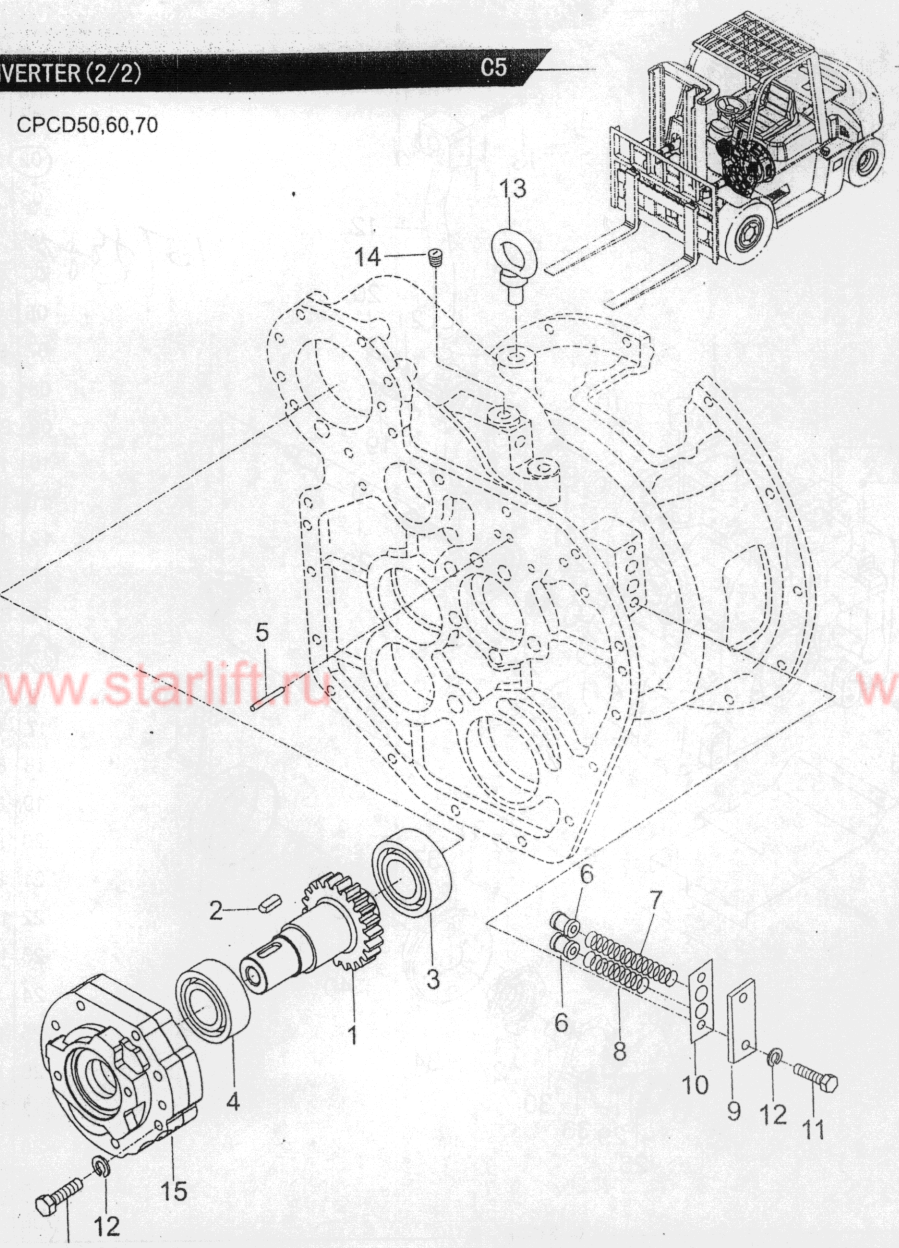


图45/FIG45

变矩器 (2/2) /TORQUE-CONVERTER (2/2)

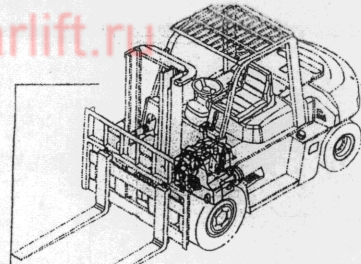
C5

序号 Item No	图号 Part No	版本 Edition	零部件名称 Description	件数 Q'ty	备注 Remark
01	15943-82171	D.1	Gear,drive 泵传动齿轮	1	
02	15943-82181	D.1	Key 键	1	
03	15943-83151	B.1	Bearing 轴承	1	
04	Z-209	B.0	Bearing 轴承209	1	GB276-82
05	15943-83261	D.1	Pin,paraller 圆柱销	2	
06	15943-82271	D.1	Piston 活塞	2	
07	15943-82281	D.2	Spring 弹簧	1	
08	15943-82291	D.1	Spring 弹簧	1	
09	15943-82301	B.1	Cover 盖板	1	
10	15943-82311	D.1	Gasket 垫片	1	
11	B0430-10035	B.0	Bolt 螺栓M10X1.25X35	2	GB5785-86
12	B5050-00010	B.0	Washer,lock 垫圈10	9	GB93-87
13	B1560-00016	B.0	Eye screw 吊环螺钉M16	3	GB825-88
14	S424329-45541	B.0	Plug 螺塞(3/8")	2	
15	15943-80221	D.2	Charging pump 供油泵	1	See Fig.49
16	B0430-10060	B.0	Bolt 螺栓M10X1.25X60	7	GB5785-86





15943-8326



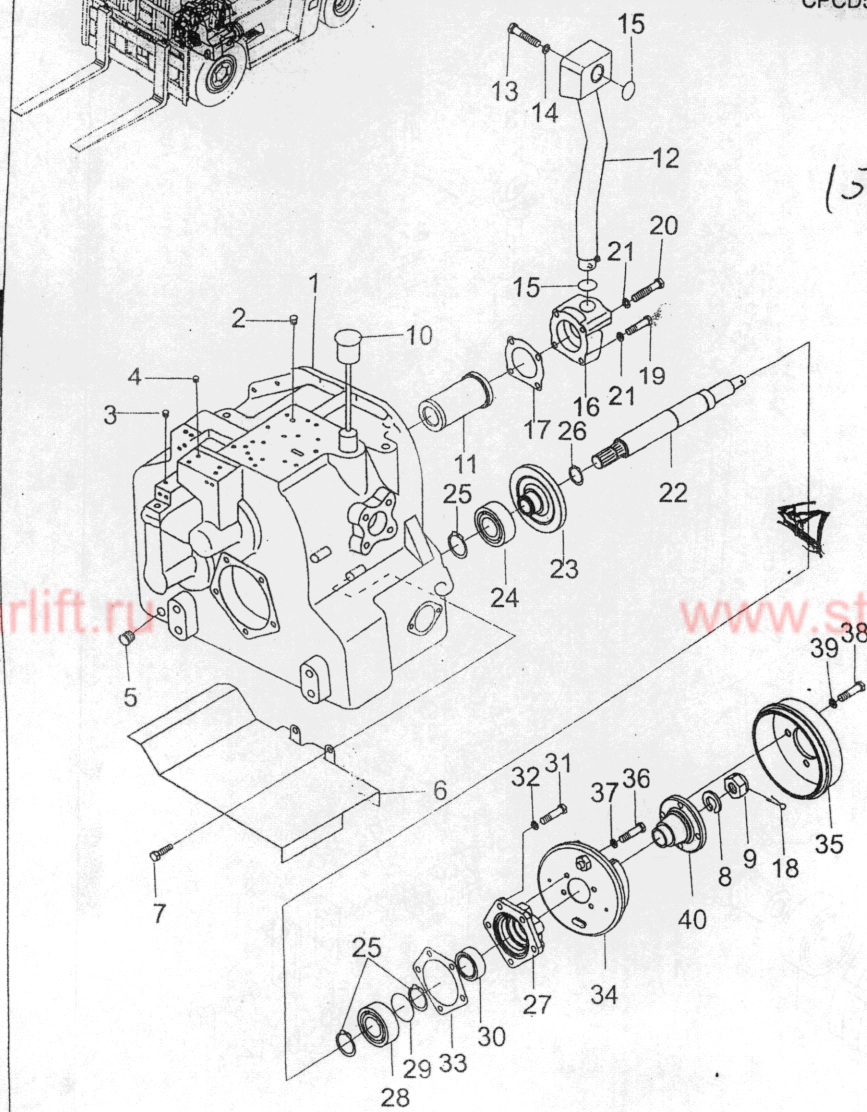
C6

变速箱 (1/2) / TRANSMISSION (1/2)

图46/FIG46

CPCD50,60,70

C



序号 Item No	图号 Part No	版本 Edition	零部件名称 Description	件数 Q'ty	备注 Remark
01	15793-82011	D.4	Case,transmission 变速箱箱体	1	
02	15793-82861	D.1	Plug 阻尼螺塞	1	
03	23870-52871	D.1	Plug 螺塞 (1/8")	14	
04	24329-45541	B.1	Plug 螺塞 (3/8")	2	
05	27397-52101	B.1	Plug 螺塞 (3/4")	2	
06	15793-82801	D.1	Plate,baffle 挡板	1	
07	B0220-08020	B.0	Bolt 螺栓M8X20	2	GB5782-86
08	15793-82491	B.1	Washer 垫圈	1	
09	B7933-00020	B.0	Nut 螺母M20X1.5	1	GB9457-88
10	15943-82901	D.1	Rod,lever 油标	1	
11	15943-82591	D.1	Strainer 滤油器	1	
12	15793-82601	D.1	Pipe oil fill 吸油管总成	1	
13	B0430-10070	B.0	Bolt 螺栓M10X12.5X70	2	GB5785-86
14	B5050-00010	B.0	Washer,lock 垫圈10	2	GB93-87
15	Z6003-03503	B.0	O-ring 0形圈35X3	2	GB1235-76
16	15943-83191	D.2	Cover,filter 滤油器盖	1	
17	15943-83231	D.2	Gasket 垫	1	
18	B3010-04036	B.0	Pin 销4X36	1	GB91-86
19	B0430-10050	B.0	Bolt 螺栓M10X1.25X50	2	GB5785-86
20	B0430-10080	B.0	Bolt 螺栓M10X1.25X80	2	GB5785-86
21	B5050-00010	B.0	Washer,lock 垫圈10	4	GB93-87
22	15793-82171G	B.2	Shaft,parking 停车制动轴	1	
23	15793-82181G	B.1	Gear 停车制动齿轮	1	
24	Z-208	B.0	Bearing 轴承208	1	GB276-82
25	B6152-00040	B.0	Snap ring 挡圈40	3	GB894.1-86
26	B6152-00030	B.0	Snap ring 挡圈30	1	GB894.1-86
27	15793-82191G	B.1	Cap 端盖	1	
28	Z-50208	B.0	Bearing 轴承50208	1	GB277-82
29	4G18-00-51	B.0	Ring,thrust 止动环80/86.6	1	GB305-82
30	HG4-692-67	B.0	Oil seal 油封SG40X62X12	1	

157 油封

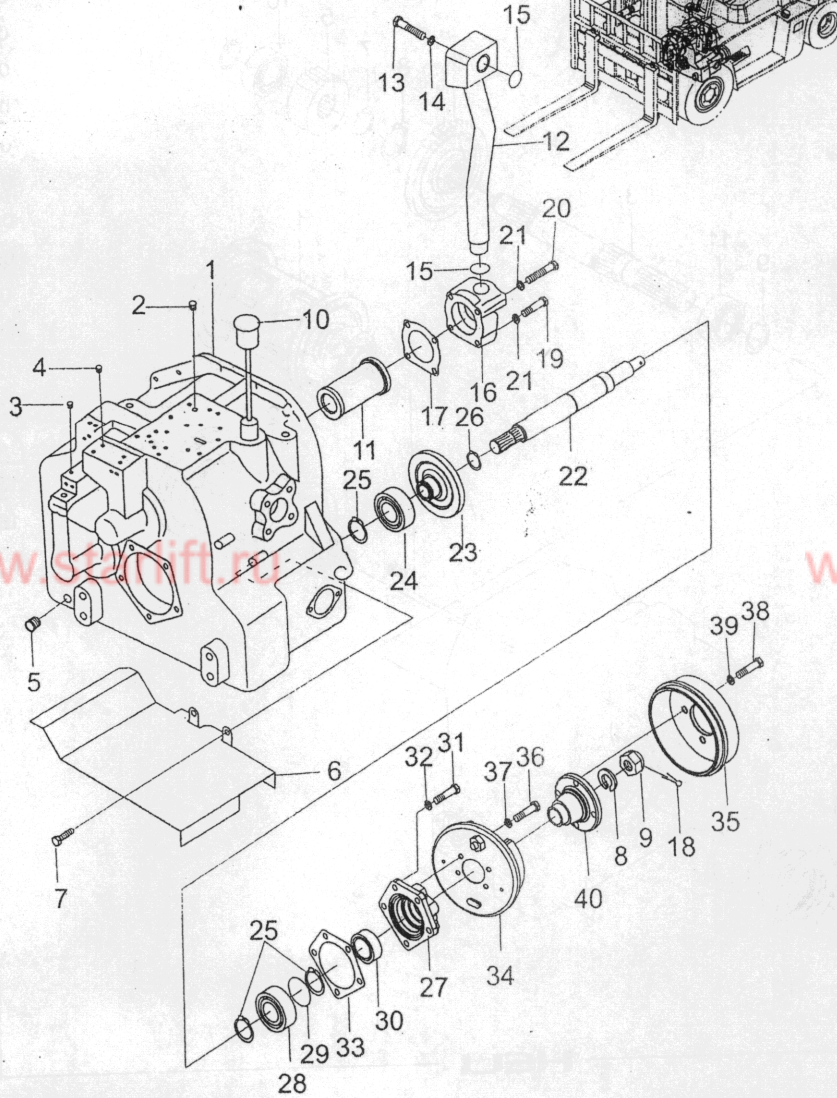


图46/FIG46

变速箱 (1/2) / TRANSMISSION (1/2)

CPCD50,60,70

序号 Item No	图号 Part No	版本 Edition	零部件名称 Description	件数 Q'ty	备注 Remark
31	B0430-10030	B.0	Bolt 螺栓M10X1.25X30	5	GB5785-86
32	B5050-00010	B.0	Washer,lock 垫圈10	5	GB93-87
33	15793-82481	B.1	Gasket 垫	1	
34	15793-60202G	B.0	Brake ass'y 停车制动器总成	1	See Fig.52
35	15793-80422G	B.1	Drum 制动鼓	1	
36	B0430-10020	B.0	Bolt 螺栓M10X1.25X20	4	GB5785-86
37	B5050-00010	B.0	Washer,lock 垫圈10	4	GB93-87
38	B0430-10025	B.0	Bolt 螺栓M12X1.25X25	4	GB5785-86
39	B5050-00012	B.0	Washer,lock 垫圈12	4	GB93-87
40	15793-82231	B.1	Flange 配合法兰	1	



C

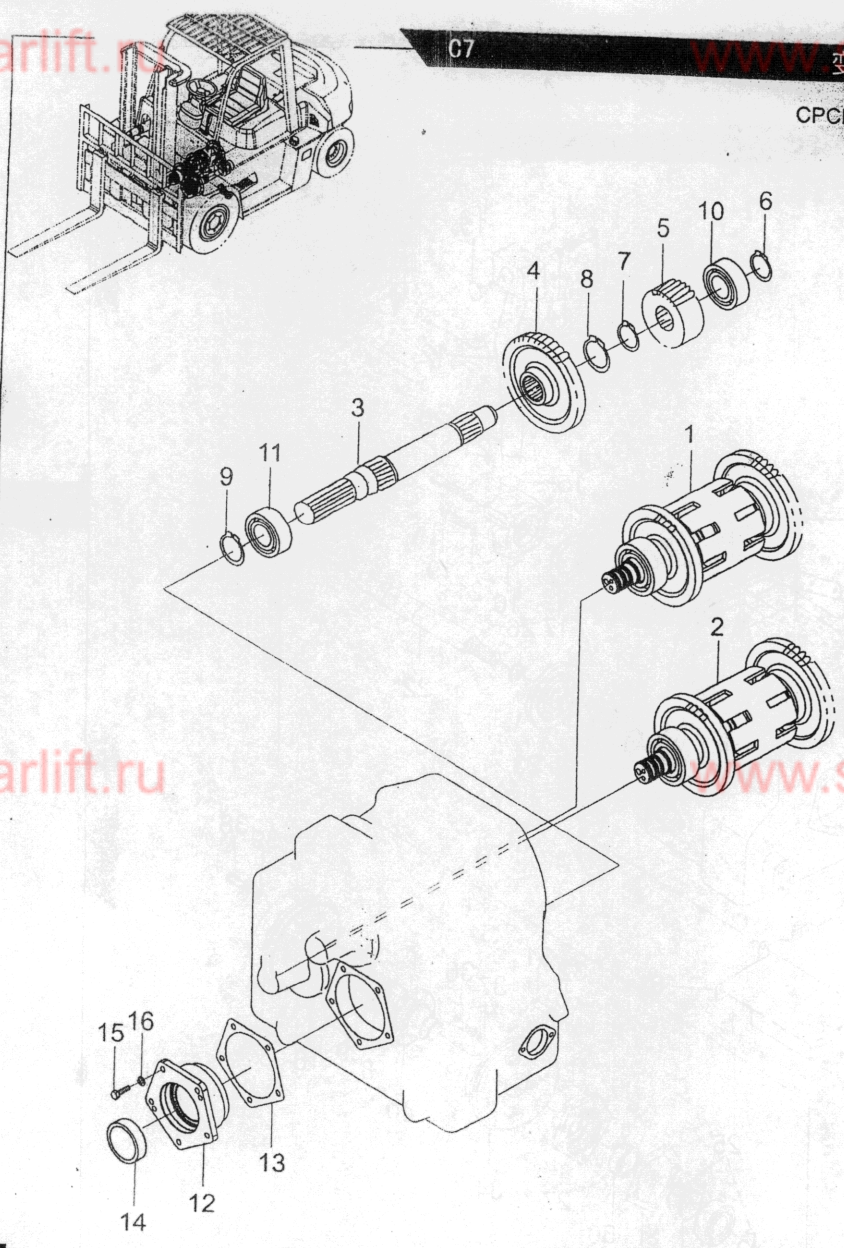


C7

变速箱 (2/2) / TRANSMISSION (2/2)

图47/FIG47

CPCD50,60,70



序号 Item No	图号 Part No	版本 Edition	零部件名称 Description	件数 Q'ty	备注 Remark
01	15793-80241	B.2	Clutch 离合器I	1	See Fig.50
02	15793-80261	D.2	Clutch 离合器II	1	See Fig.51
03	15793-82141G	B.1	Shaft,output 输出轴	1	
04	15793-82511	D.1	Gear 齿轮	1	
05	15793-82521	D.1	Gear 齿轮	1	
06	B6152-00045	B.0	Snap ring 挡圈45	1	GB894.1-86
07	B6152-00050	B.0	Snap ring 挡圈50	1	GB894.1-86
08	B6152-00060	B.0	Snap ring 挡圈60	1	GB894.1-86
09	B6152-00055	B.0	Snap ring 挡圈55	1	GB894.1-86
10	Z-309	B.0	Bearing 轴承309	1	GB276-82
11	15793-82581	B.1	Bearing 轴承	1	
12	15793-82151G	D.1	Cap 端盖	1	
13	15793-82471	D.1	Gasket 垫片	1	
14	15793-82161	B.0	Oil seal 油封52X72X12	5	
15	B0430-10030	B.0	Bolt 螺栓M10X1.25X30	5	GB5785-86
16	B5050-00010	B.0	Washer,lock 垫圈10	1	GB93-87

C



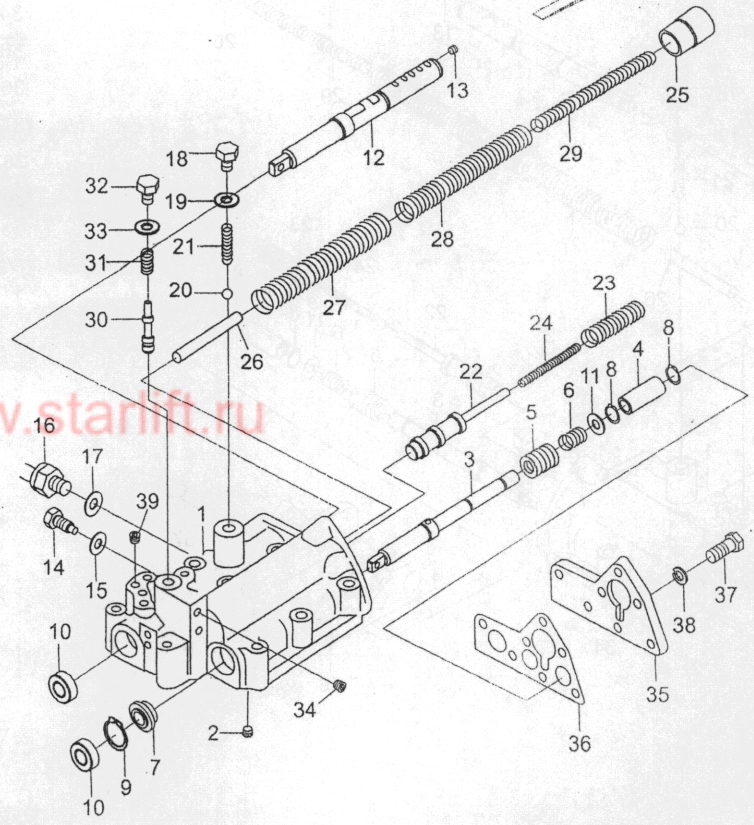
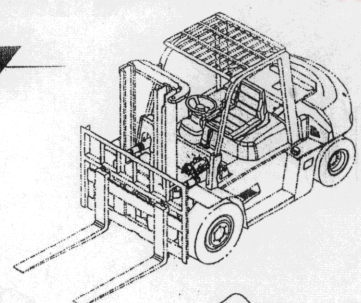
图48/FIG48

控制阀总成/CONTROL VALVE ASS'Y

C8

序号 Item No	图号 Part No	版本 Edition	零部件名称 Description	件数 Q'ty	备注 Remark
A	15793-80291	B.1	Valve ass'y	1	控制阀总成
01	15793-82301	D.1	Body	1	阀体
02	15793-82861	D.1	Plug	1	阻尼螺塞
03	15793-82311	D.1	Valve, inching	1	微动阀杆
04	15793-82331	B.1	Plunger	1	柱塞
05	15793-82321	D.1	Piston	1	活塞
06	15793-82341	D.1	Spring	1	弹簧
07	15793-82351	B.1	Collar	1	轴环
08	B6150-00012	B.0	Snap ring	2	挡圈 12 GB894.1-86
09	B6050-00030	B.0	Snap ring	1	挡圈 30 GB893.1-86
10	15943-82661	D.1	Oil seal	2	油封 日产 Japan
-	HG4-692-67	B.0	Oil seal	2	油封 SG14X30X10 国产 China
11	15793-82451	B.1	Spacer	1	挡环
12	15793-82361	D.1	Valve lever	1	操纵阀杆
13	15943-82681	B.1	Plug	1	闷塞
14	15943-82691	B.1	Bolt	1	固定螺栓
15	15943-82701	B.1	Washer	1	垫圈
16	12003-42451	D.1	Switch	2	后退灯开关
17	12003-42461	B.1	Packing	2	衬垫
18	15583-82381	D.1	Plug	1	油塞
19	15943-82711	B.1	Washer	1	垫圈
20	Z1520-G0100	B.0	Ball	1	钢球 ∅10 GB308-89
21	15943-82721	B.1	Spring	1	弹簧
22	15943-82731	D.1	Valve lever, modulate	1	调节阀杆
23	15943-82741	D.1	Spring	1	弹簧
24	15943-82751	D.1	Spring	1	弹簧
25	15943-82761	B.1	Piston	1	活塞
26	15943-82771	B.1	Stopper	1	止动杆
27	15943-82781	B.1	Spring	1	弹簧
28	15793-82711	R.1	Spring	1	弹簧

CPCD50,60,70



C

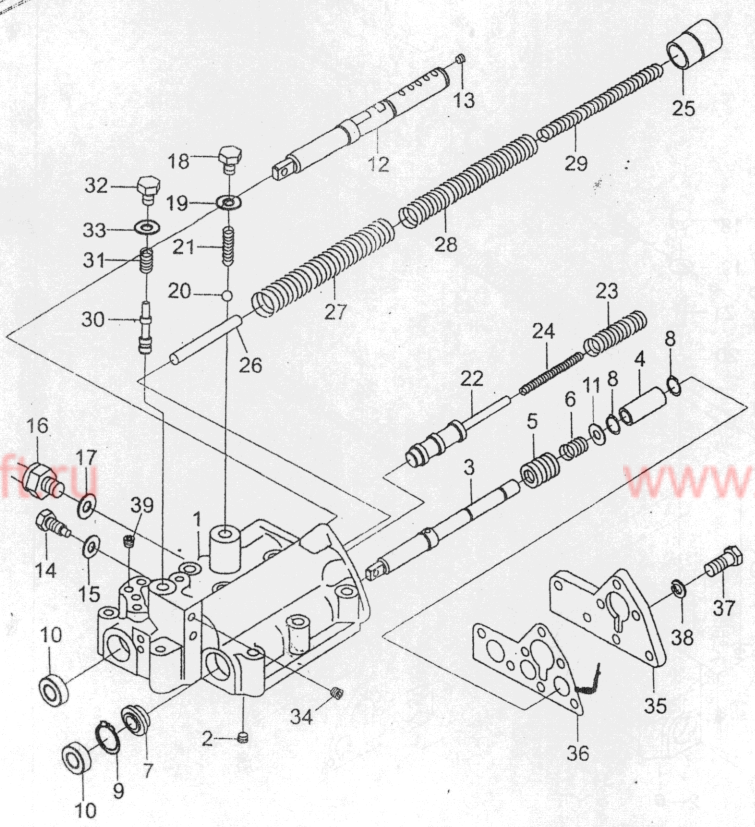
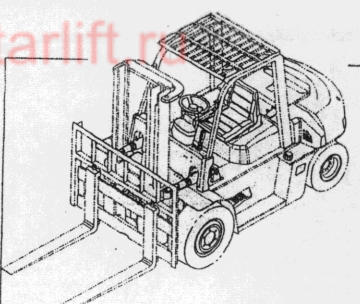


C8

控制阀总成/CONTROL VALVE ASS'Y

图48/FIG48

CPCD50,60,70



序号 Item No	图号 Part No	版本 Edition	零部件名称 Description	件数 Q'ty	备注 Remark
29	15793-82721	B.1	Spring	1	弹簧
30	15793-82371	B.1	Valve lever	1	测压阀杆
31	15793-82381	B.1	Spring	1	弹簧
32	15583-82381	D.1	Plug	1	油塞
33	15943-82711	B.1	Washer	1	垫圈
34	REF341231 23870-52871	D.1	Plug	4	螺塞
35	15793-82411	B.0	Cover	1	阀端盖
36	15793-82421	B.1	Gasket	1	端盖垫片
37	B0330-08025	B.0	Bolt	7	螺栓M8X25 GB5783-86
38	B5050-00008	B.0	Washer, lock	7	垫圈8 GB93-87
39	REF341231 23870-52871	D.1	Plug	5	螺塞



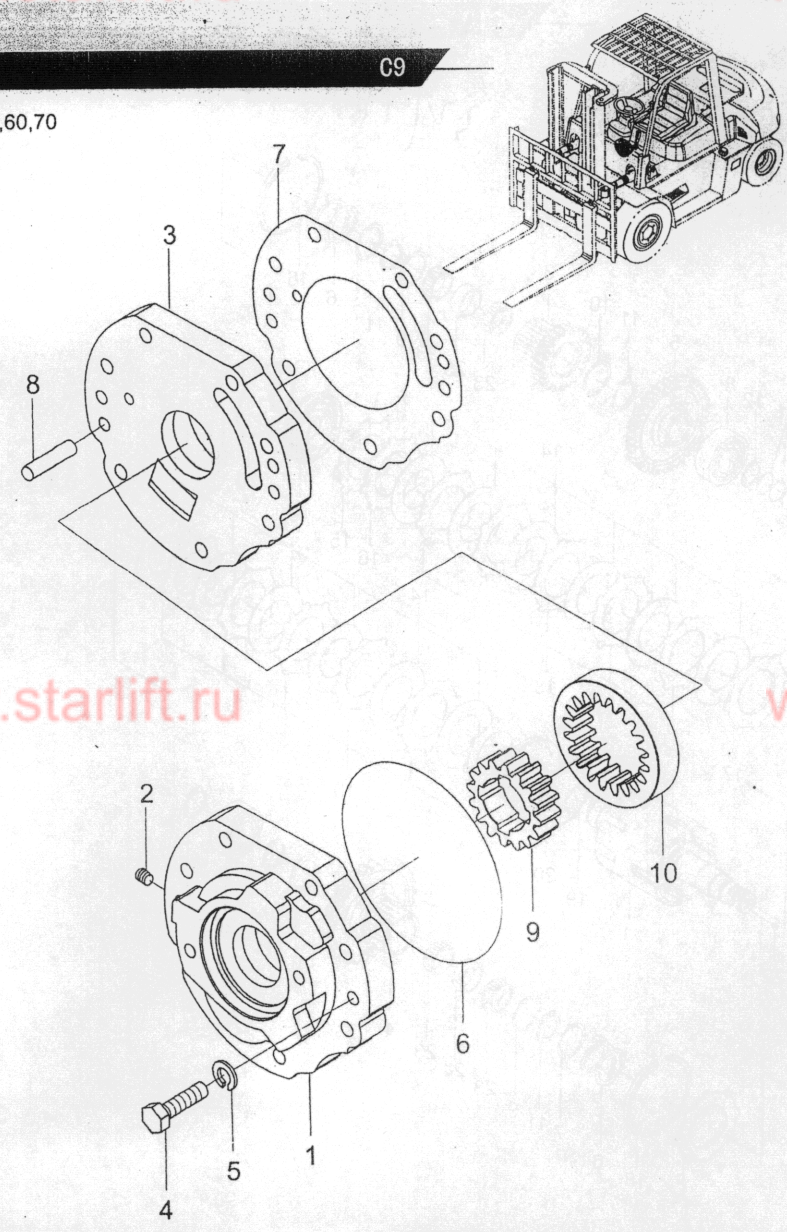
图49/FIG49

供油泵/CHARGING PUMP

C9

CPCD50,60,70

序号 Item No	图号 Part No	版本 Edition	零部件名称 Description	件数 Q'ty	备注 Remark
A	15943-80221	D.2	Charging pump 供油泵	1	
01	15943-82191	D.1	Body,pump 泵体	1	
02	Q/ZB285-77	B.0	Plug 螺塞ZG1/8"	1	
03	15943-82202	D.1	Cover 泵盖	1	
04	B0430-10040	B.0	Bolt 螺栓M10X1.25X40	2	GB5785-86
05	B5050-00010	B.0	Washer,lock 垫圈10	2	GB93-87
06	Z6002-14503	B.0	O-ring O形圈145X3	1	GB1235-76
07	15943-82221	D.1	Shim 垫片	1	
08	B3120-10026	B.0	Pin 销B10X26	2	GB119-86
09	15943-82241	B.0	Gear 泵齿轮	1	选用 Option
	15943-82241G	D.1	Gear 泵齿轮	1	选用 Option
10	15943-82251	B.0	Gear,ring 供油泵齿圈	1	



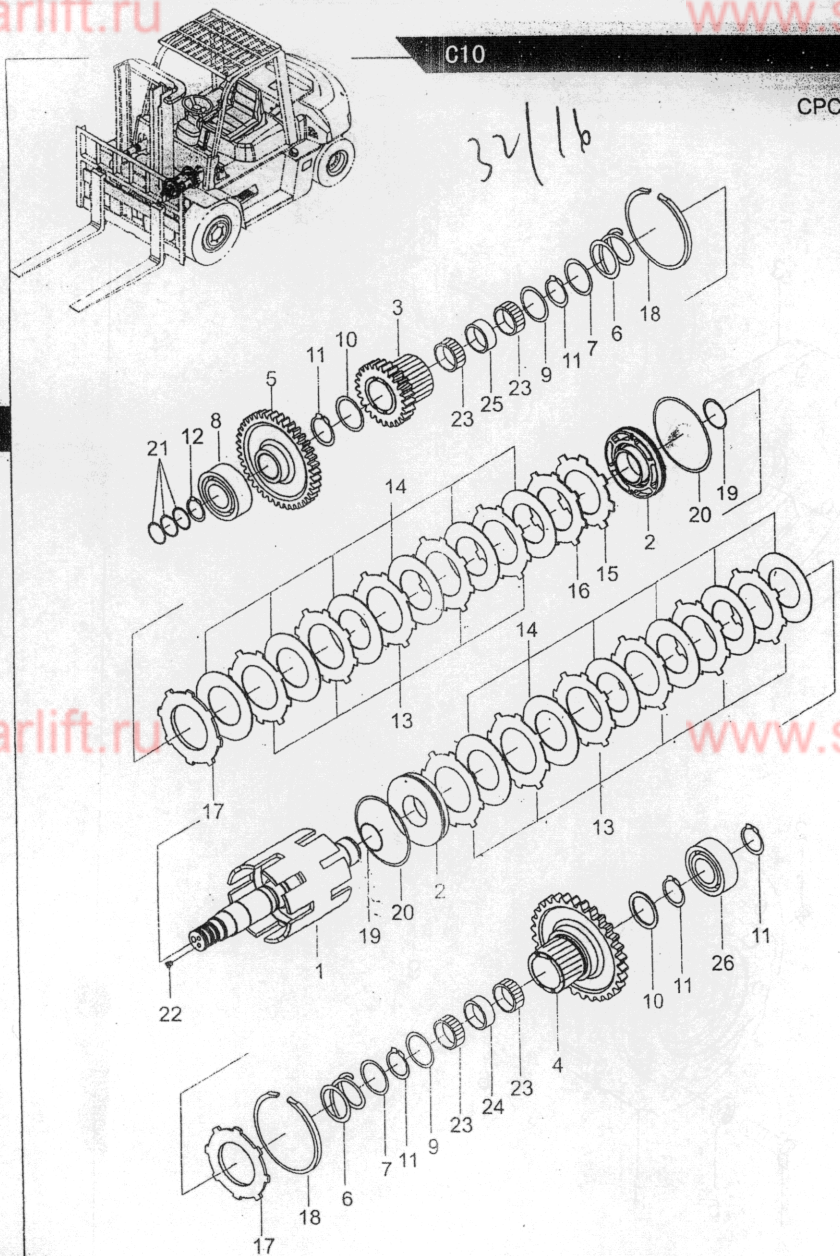


C10

离合器 I / HYDRAULIC CLUTCH I

图 50 / FIG 50

CPCD50,60,70



序号 Item No	图号 Part No	版本 Edition	零部件名称 Description	件数 Q'ty	备注 Remark
A	15793-80241	B.2	Clutch	离合器 I	1
01	REF208821	B.1	Shaft ass'y	轴总成	1
02	15793-80231	B.1	Piston ass'y	活塞总成	2
03	15793-82041	B.1	Gear	齿轮 II	1
04	15793-82111	B.1	Gear	齿轮 I	1
05	15793-82051	B.2	Gear	齿轮 III	1
06	15793-82691	B.1	Spring	弹簧	2
07	15943-82401	B.1	Seat, spring	弹簧座	2
08	Z-6309	B.0	Bearing	轴承 6309	1 GB/T276-94
09	15943-82411	B.2	Ring, thrust	止推环	2
10	15943-82421	B.1	Ring, thrust	止推环	2
11	B6150-00050	B.0	Snap ring	挡圈 50	5 GB894.1-86
12	B6150-00045	B.0	Snap ring	挡圈 45	1 GB894.1-86
13	15943-82451	B.1	Plate, separator	隔片	13
14	15943-82462	B.1	Plate, friction ass'y	摩擦片总成	14
15	15943-83141	B.1	Plate	碟形板	1
16	15943-83241	B.1	Plate	压板	1
17	15793-82571G	B.1	Plate, end	端板	2
18	15943-82511	B.1	Snap ring	卡环	2
19	15943-82481	B.0	Ring	密封环	2
20	15943-82491G	B.0	Ring	密封环	2
21	15943-82501	B.0	Ring	密封环	3
22	REF341231 23870-52871	D.1	Plug	螺塞	2
23	15793-82061	B.1	Bearing	滚针轴承	4
24	15793-82071	B.2	Spacer	隔圈	1
25	15793-82081	B.2	Spacer	隔圈	1
26	Z-6210	B.0	Bearing	轴承 6210	1 GB/T276-94

C



图51/FIG51

离合器II/HYDRAULIC CLUTCH II

C11

CPCD50,60,70

序号 Item No	图号 Part No	版本 Edition	零部件名称 Description	件数 Q'ty	备注 Remark
A	15793-80261	D.2	Clutch 离合器II	1	
01	REF208821	B.1	Shaft ass'y 轴总成	1	
02	15793-80231	B.1	Piston ass'y 活塞总成	2	
03	15793-82041	B.1	Gear 齿轮II	1	
04	15793-82181	B.1	Gear 齿轮IV	1	
05	15793-82051	B.2	Gear 齿轮III	1	
06	15793-82591	B.1	Spring 弹簧	2	
07	15943-82401	B.1	Seat, spring 弹簧座	2	
08	Z-6309	B.0	Bearing 轴承6309	1	GB/T276-94
09	15943-82411	B.2	Ring, thrust 止推环	2	
10	15943-82421	B.1	Ring, thrust 止推环	2	
11	B6150-00050	B.0	Snap ring 挡圈50	5	GB894.1-86
12	B6150-00045	B.0	Snap ring 挡圈45	1	GB894.1-86
13	15943-82451	B.1	Plate, separator 隔片	13	
14	15943-82462	B.1	Plate, friction ass'y 摩擦片总成	14	
15	15943-83141	B.1	Plate 碟形板	1	
16	15943-83241	B.1	Plate 压板	1	
17	15793-82571G	B.1	Plate, end 端板	2	
18	15943-82511	B.1	Snap ring 卡环	2	
19	15943-82481	B.0	Ring 密封环	2	
20	15943-82491G	B.0	Ring 密封环	2	
21	15943-82501	B.0	Ring 密封环	2	
22	REF341231 23870-52871	D.1	Plug 螺塞	2	
23	15793-82061	B.1	Bearing 滚针轴承	4	
24	15793-82071	B.2	Spacer 隔圈	1	
25	15793-82081	B.2	Spacer 隔圈	1	
26	Z-6210	B.0	Bearing 轴承6210	1	GB/T276-94

