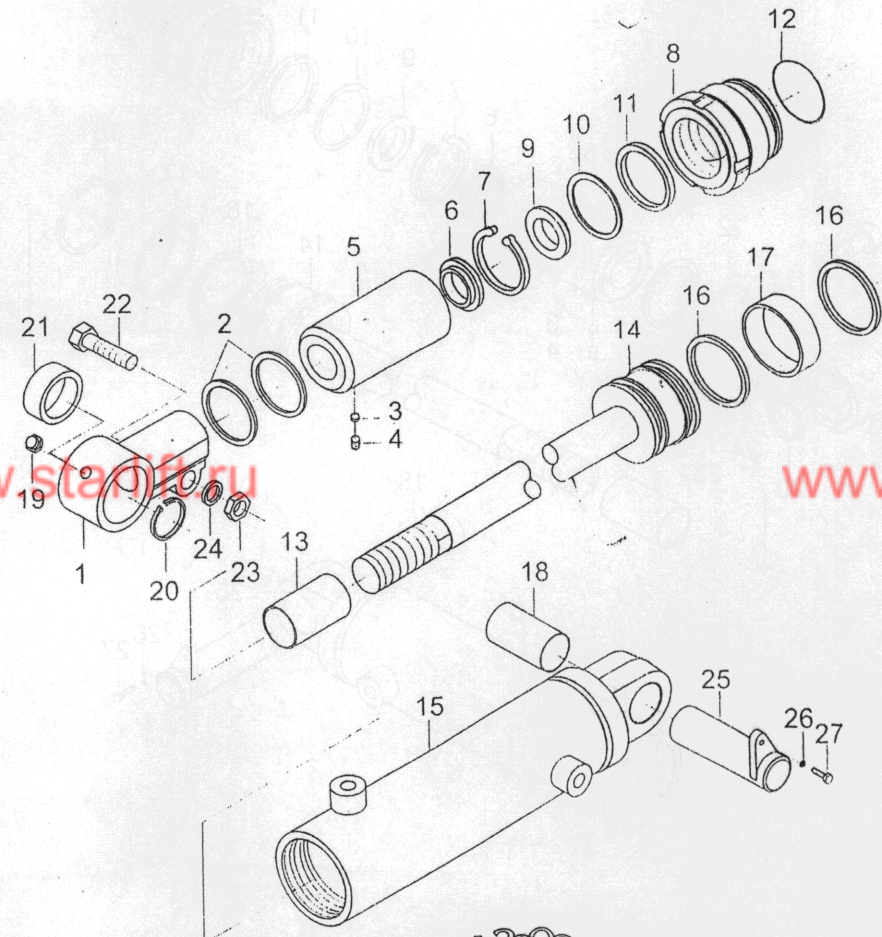
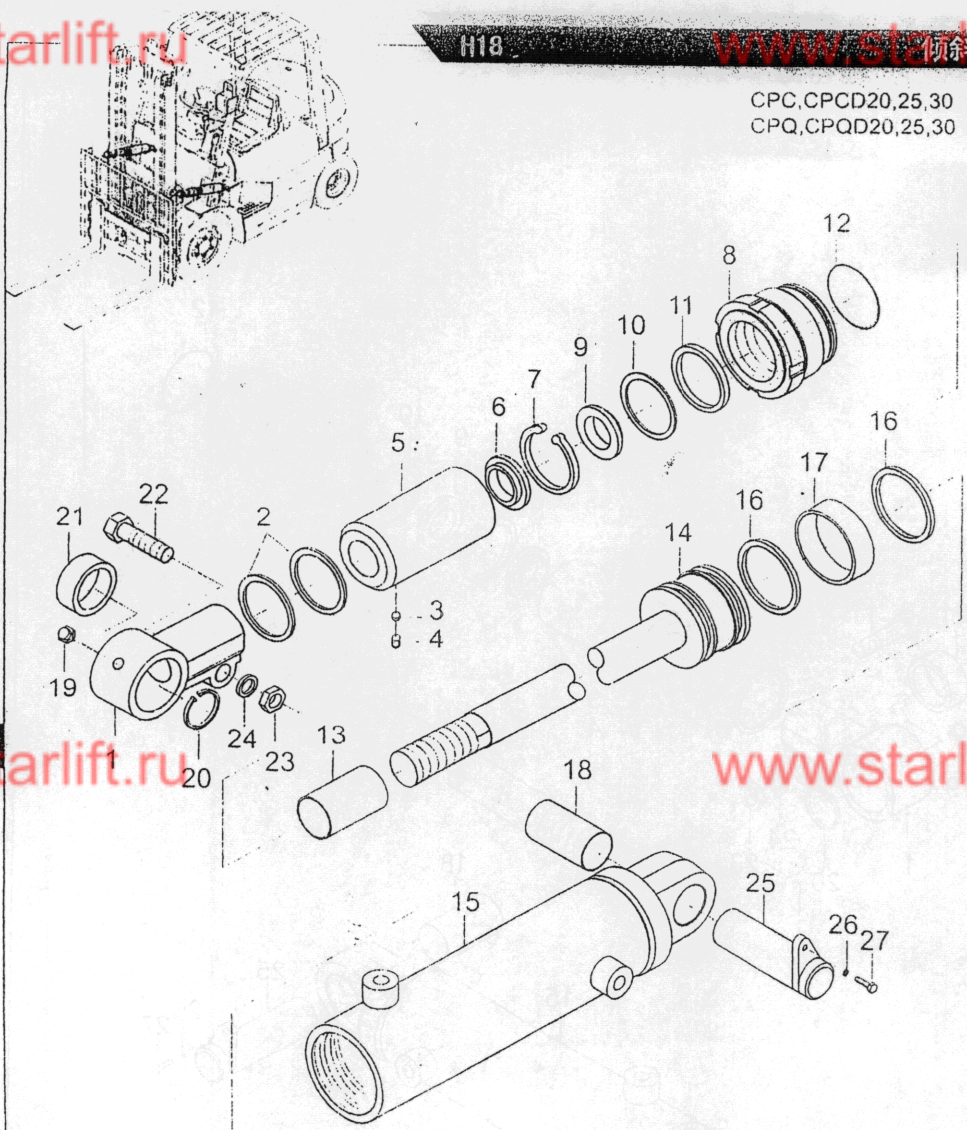


序号 Item No	图号 Part No	零部件名称 Description	件数 Q'ty	备注 Remark	CPC, CPCD20, 25, 30 CPQ, CPQD20, 25, 30
A	HRH22N8501	Tilt cylinder	倾斜油缸	见选用件表 See op.parts	
01	D20B8-52011	Ear ring	耳环	2	
02	23658-52101	Shim	垫片	12	
03	23658-52401	Plug	塞子	2	
04	B1830-10010	Screw	螺钉M10X10	2	GB80-85
05	HRD20B8502	Spacer	调整轴套		见选用件表 See op.parts
06	REF341310 23468-52081	Seal,dust	防尘圈	2	
07	B6050-00052	Ring,snap	挡圈52	2	GB893.1-85
08	D20B8-52021	Guide sleeve	导向套	2	
09	23678-54021	Ring,snap	挡圈	2	
10	REF340216 23678-54001	Shim	挡片d32	2	
11	REF340213 22228-50153A	U-ring	U型密封圈d32	2	
12	Z6003-07003	O-ring	O型密封圈70X3.1	2	GB1235-76
13	REF340270 23678-54012	Bushing	轴套	2	
14	D20B8-50201	Body,piston ass'y	活塞体总成	2	
15	HRH22N8502 H22N8-50221	Tube,cylinder ass'y R.H.	缸筒总成(右)	2	
16	HRH22N8502 H22N8-50231	Tube,cylinder ass'y L.H.	缸筒总成(左)	2	
17	REF340214 23678-55001	Yx-ring	Yx密封圈D70	4	
18	REF341311 23678-52051	Wearing	支承环	2	
19	REF340270 63626-23071	Bushing	轴套	2	
20	Z2500-01010	Fitting grease	油杯M10X1	2	
21	B6050-00047	Ring,snap	挡圈47	2	
22	D20B8-50211	Bushing	关节轴承	2	
23	B0230-14055	Bolt	螺栓M14X55	2	GB5782-86
24	B4123-00014	Nut	螺母M14	2	GB6170-86
25	B5050-00014	Washer,lock	垫圈14	2	GB93-87
26	H22A8-00201	Pin	倾斜缸销轴	2	
27	B5052-00010	Washer,lock	垫圈10	2	GB93-87
28	B0530-10020	Bolt	螺栓M10X1.25X20	2	GB5786-86



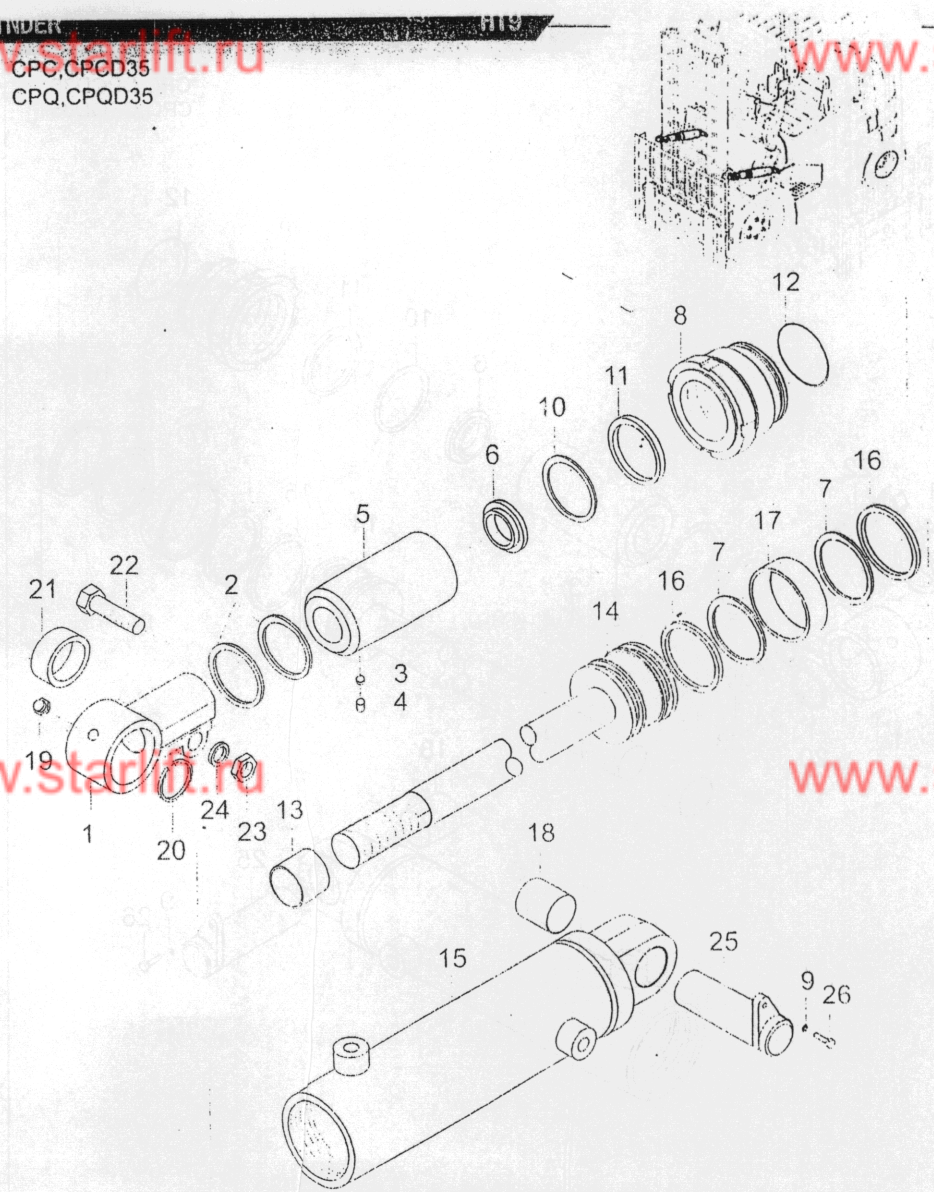
CPC, CPCD20, 25, 30
CPQ, CPQD20, 25, 30

倾斜油缸选用表 TILT CYLINDER OPTIONAL PARTS



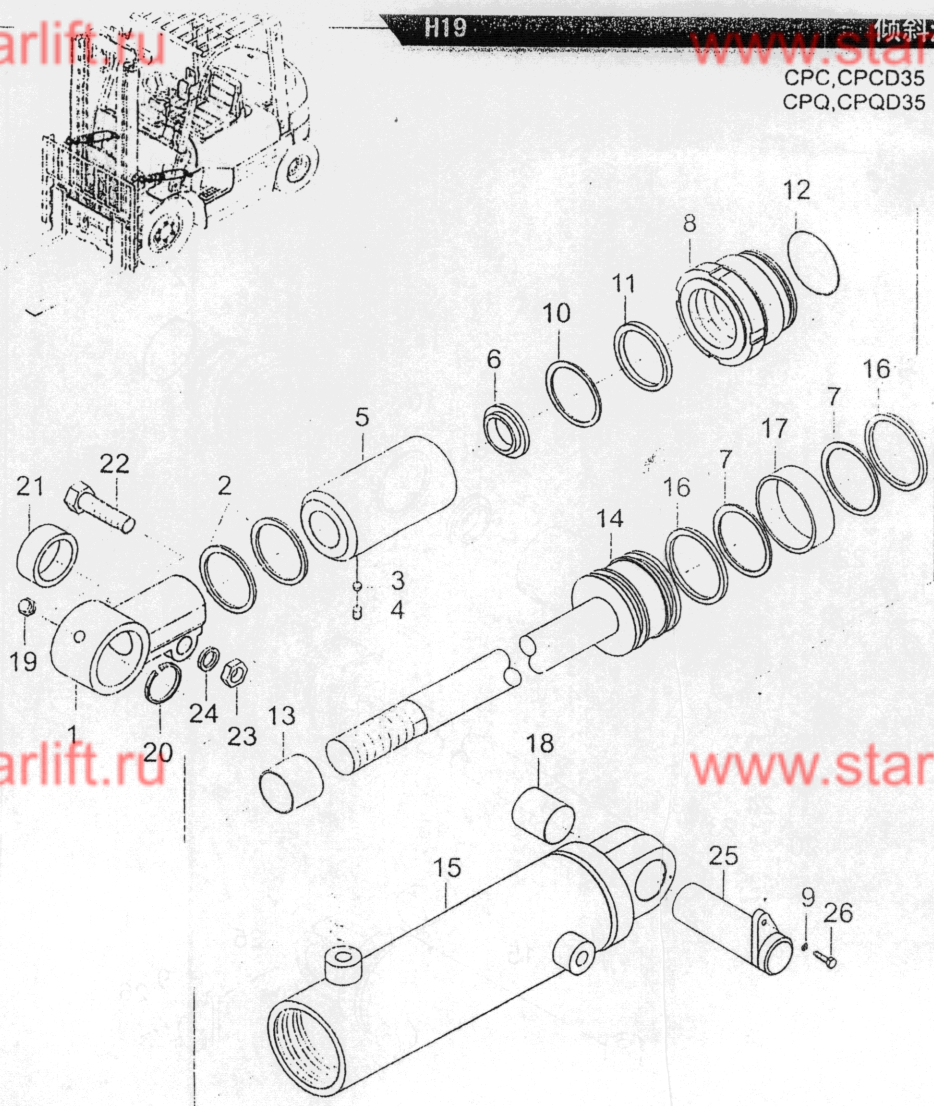
序号 Item No	A		05
前/后倾角 Tilt angle	倾斜油缸 (右) Tilt cylinder R.H.	倾斜油缸 (左) Tilt cylinder L.H.	调整轴套 Spacer
6°~12°	H22N0-50011	H22N0-50001	
6°~6°	H22N0-50031	H22N0-50021	HRD20B8502 D20B8-52041
3°~6°	H22N0-50051	H22N0-50041	HRD20B8502 D20B8-52051
3°~3°	H22N0-50071	H22N0-50061	HRD20B8502 D20B8-52051
6°~10°	H22N0-50091	H22N0-50081	HRD20B8502 D20B8-52061

序号 Item No	图号 Part No	零部件名称 Description	件数 Q'ty	备注 Remark
A	HRD05A8501	Tilt cylinder	倾斜油缸	2 见选用件表 See op.parts
01	D30A8-52011	Ear ring	耳环	2
02	23658-52101	Shim	垫片	12
03	23658-52401	Plug	塞子	2
04	B1830-10010	Screw	螺钉M10X10	2 GB80-85
05	HRD30A8502	Spacer	调整轴套	2 见选用件表 See op.parts
06	REF339093 23650-52871	Seal,dust	防尘圈	2
07	REF340216 24230-82221	Ring,back-up	挡圈	4
08	D30A8-52021	Guide sleeve	导向套	2
09	B5050-00010	Washer.lock	垫圈10	2 GB93-87
10	23650-52861	Ring,back-up	挡圈	2
11	D30A8-53001	U-ring	U型密封圈35X45X10	2
12	Z6003-08003	O-ring	O型密封圈80X3.1	2 GB1235-76
13	Z2113-03530	Bushing	钢背轴承3530	2
14	D30A8-50201	Body,piston	活塞体	2
15	HRD05A8503 D05A8-50301	Tube,cylinder R.H.	缸体(右)	1
	HRD05A8503 D05A8-50401	Tube,cylinder L.H.	缸体(左)	1
16	REF340214 23458-42241	U-ring	U型密封圈	4
17	D30A8-52091	Wearing	支承环	2
18	REF340270 63626-23071	Bushing	轴套	2
19	Q700B01	Fitting grease	直通式滑脂嘴	2 ZBT33001.1-88
20	B6050-00047	Ring,snap	挡圈47	2 GB893.1-86
21	D20B8-50211	Bushing	关节轴承	2
22	B0222-14055	Bolt	螺栓M14X55	2 GB5782-86
23	B4118-00014	Nut	螺母M14	2 GB6170-86
24	B5050-00014	Washer.lock	垫圈14	2 GB93-87
25	HRH22A8309 H22A8-00201	Pin	倾斜缸销轴	2
26	B0530-10020	Bolt	螺栓M10X1.25X20	2 GB5786-86



CPC, CPCD35
CPQ, CPQD35

倾斜油缸选用表 TILT CYLINDER OPTIONAL PARTS



序号 Item No	A		05
前/后倾角 Tilt angle	倾斜油缸 (右) Tilt cylinder R.H.	倾斜油缸 (左) Tilt cylinder L.H.	调整轴套 Spacer
6°~12°	D05A8-50011	D05A8-50001	
6°~6°	D05A8-50031	D05A8-50021	HRD30A8502 D30A8-52041
3°~6°	D05A8-50051	D05A8-50041	HRD30A8502 D30A8-52041
3°~3°	D05A8-50071	D05A8-50061	HRD30A8502 D30A8-52051
6°~10°	D05A8-50091	D05A8-50081	HRD30A8502 D30A8-52061