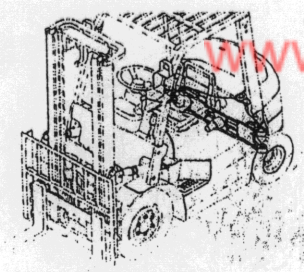


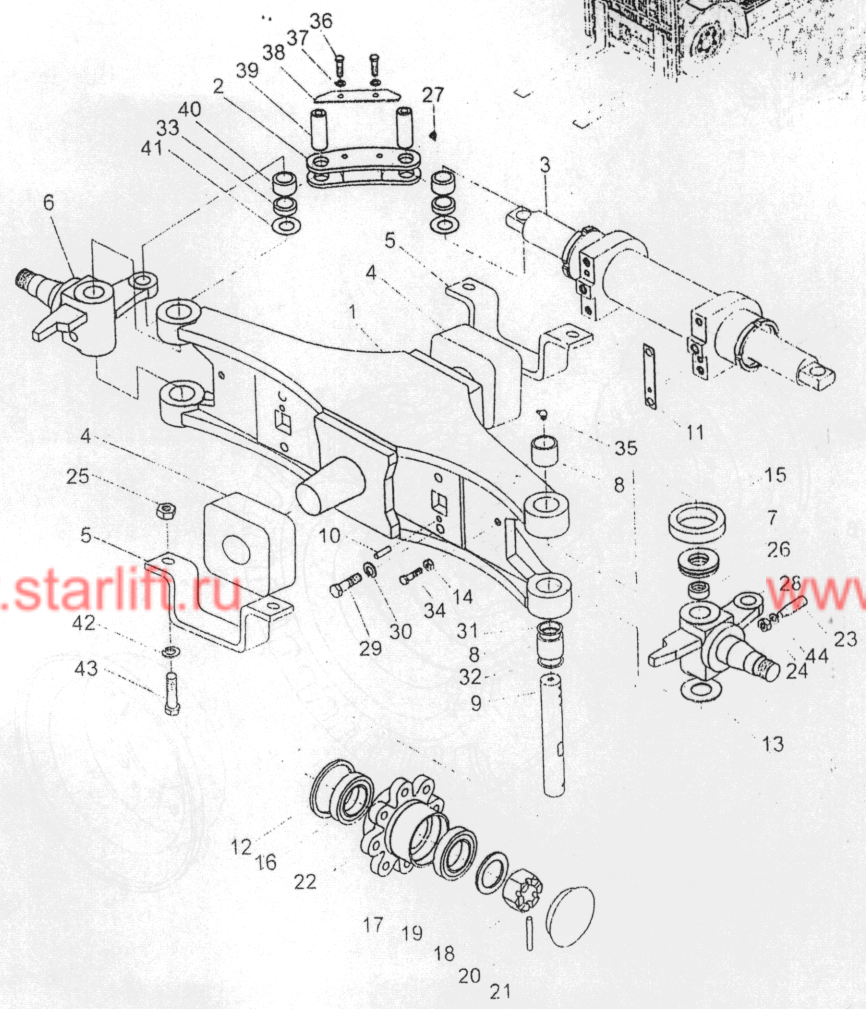
CPC, CPCD20, 25, 30, 35
CPQ, CPQD20, 25, 30, 35

序号 Item No	图号 Part No	零部件名称 Description	件数 Qty	备注 Remark
01	H24N4-30302	Axle ass'y	1	转向桥体总成 3t, 3.5t
-	H95C4-30301	Axle ass'y	1	转向桥体总成 2t, 2.5t
02	A21B4-32081A	Link	2	连杆
03	H24C4-50402S	Power cylinder ass'y	1	转向油缸总成 See Fig. 87
04	H24N4-32451	Rubber	2	减震块
05	H24N6-12142	Bracket	2	支架
06	H24C4-32182	Knuckle R.H. ass'y	1	右转向节总成
07	Z-51208	Bearing	2	推力轴承51208 GB/T301-93
08	Z-943/32	Bearing	4	滚针轴承943/32 GB290-89
09	A21B4-32221	Pin, king	2	转向节主销
10	B3120-10020	Pin	2	销B10X20 GB119-86
11	A21B4-32251	Shim	4	调整垫
12	Z6301-08524	U-ring	2	U型密封圈B85X110X12D GB9877.1-88
13	22214-30321	Shim	2	转向节调整垫
14	B4323-00012	Nut	18	螺母M12 GB6172-86
15	A21B4-12002	Cap	2	防尘罩
16	Z-7211E	Bearing	2	轴承7211E GB297-84
17	Z-7207E	Bearing	2	轴承7207E GB297-84
18	A21B4-32311	Nut	2	螺母M30X2
19	B5310-00030	Washer	2	垫圈30 GB97.1-85
20	B3010-63055	Pin	2	销6.3X55 GB92-86
21	A21B4-32231	Cap	2	轮毂盖
22	A21B4-32241	Hub	2	轮毂
23	20314-30616	Pin	2	紧固销
24	B4223-00010	Nut	2	螺母M10X1.25 GB6171-86
25	B4130-00016	Nut	4	螺母M16 GB6170-86
26	A21B4-12001	Bushing	2	衬套
27	Q700B06	Fitting grease	4	直通式滑脂嘴M6 Z9T33001 1-88
28	H24C4-32172	Knuckle R.H. ass'y	1	左转向节总成
29	B0220-14045	Bolt	4	螺栓M14X45 GB5782-86



序号 Item No.	图号 Part No	零部件名称 Description	件数 Q'ty	备注 Remark
30	B5050-00014	Washer,lock	垫圈14	4 GB93-87
31	23654-32161	O-ring	0形圈	2
32	23654-32081	Seal,oil	油封	2
33	H24C4-12003	Bushing	衬套	4
34	B0220-12030	Bolt	螺栓M12X30	2 GB5782-86
35	Q701B90	Fitting grease	弯颈式滑脂嘴Z1/8"	2 ZBT33001.2-88
36	B0010-08018	Bolt	螺栓M8X18	4 GB5780-86
37	B5050-00008	Washer,lock	垫圈8	4 GB93-87
38	A21B4-32300	Baffle	挡板	2
39	A21B4-32261A	Pin	连杆销	4
40	H24C4-32061	Bearing	ES型向心关节轴承	4
41	A21B4-32281	Shim	调整垫	4
42	B5050-00016	Washer,lock	垫圈16	4 GB93-87
43	B0230-16055	Bolt	螺栓M16X55	4 GB5782-86
44	B5310-00010	Bolt	垫圈10	2 GB97.1-85

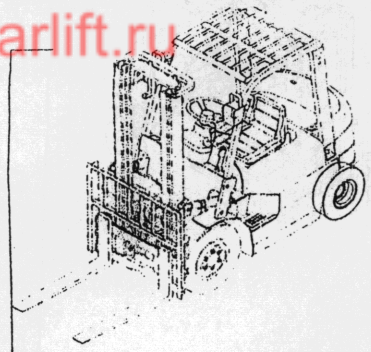
CPC, CPCD20, 25, 30, 35
CPQ, CPQD20, 25, 30, 35



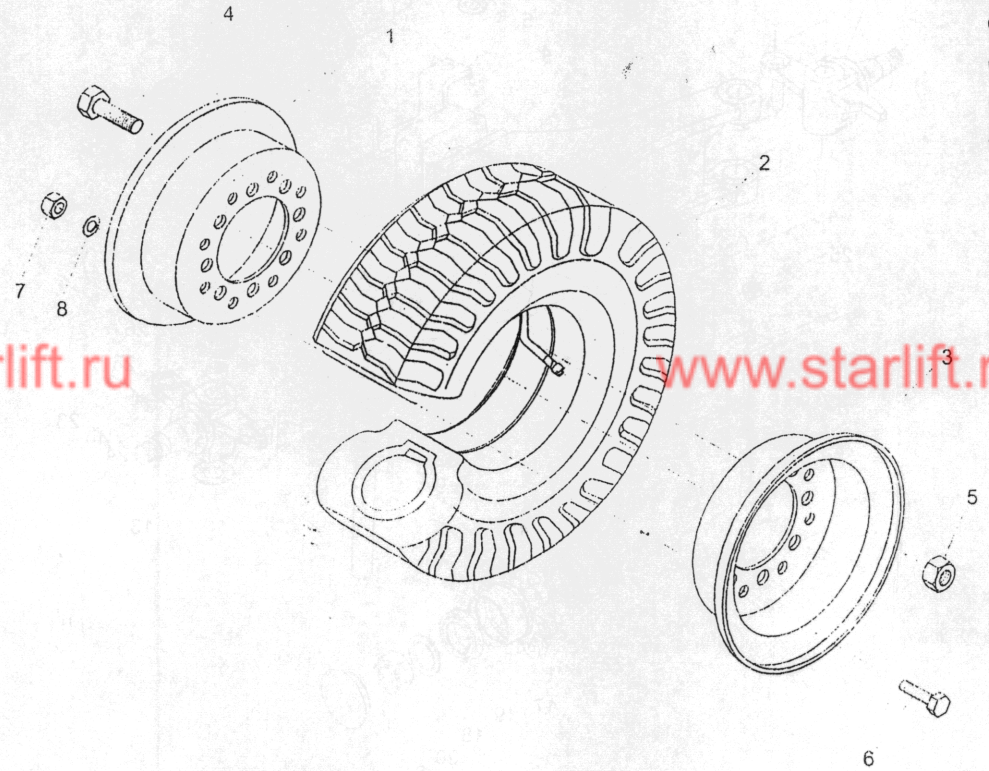
D3

CPC, CPCD20,25,30,35
CPQ, CPQD20,25,30,35

序号 Item No	图号 Part No	零部件名称 Description	件数 Q'ty	备注 Remark
01	23654-43001	Rim ,inside	2	内轮辋 2-2.5t
-	22304-40312G	Rim ,inside	2	内轮辋 3t,3.5t
02	Z3003-60009	Tire	2	轮胎6.00-9-10PR 2t,2.5t GB/T 2982
-	Z3003-65010	Tire	2	轮胎6.50-10-10PR 3t,3.5t GB/T 2982
03	23654-43011G	Rim ,outside	2	外轮辋 2-2.5t
-	22304-40322G	Rim ,outside	2	外轮辋 3t,3.5t
04	23654-32041	Bolt	16	轮毂螺栓
05	23654-34051	Nut	16	轮毂螺母
06	21193-02010G	Bolt	16	轮辋螺栓
07	B4323-00012	Nut	16	螺母M12 GB6172-86
08	B5050-00012	Washer	16	垫圈12 GB93-87

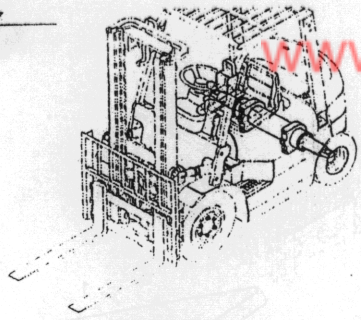


D



转向油缸/STEERING CYLINDER

D4



序号 Item No.	图号 Part No.	零部件名称 Description	件数 Q'ty	备注 Remark
A	H24C4-50402S	Steering cylinder	1	
01	Z1510-G0060	Steel ball	25	GB308-89
02	Z6053-05003	O-ring	3	GB3452.1-92
03	H24C4-52002S	Snap ring	2	GB/T895.2-1986
04	H24C4-52001S		2	
05	B6150-00065	Snap ring	2	GB/T894.1-1986
06	LBH-50	Seal,dust	2	NOK(FQ0041D0)
07	H24C4-52153S	Piston rod	1	
08	Z6003-07003	O-ring	2	GB1235-76
09	24329-45591	U-ring	2	
10	22658-52301	Snap shim	2	
11	H24C4-52171	Bearing	1	
12	60066-13030	Bearing	1	
13	H24C4-52163S	Piston	1	
14	H24C4-52003S	Cap	2	
15	H24C4-52000S	Body,cylinder	1	
16	Z6053-06003	O-ring	1	GB3452.1-92

