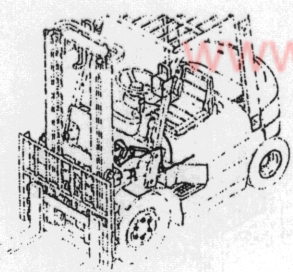
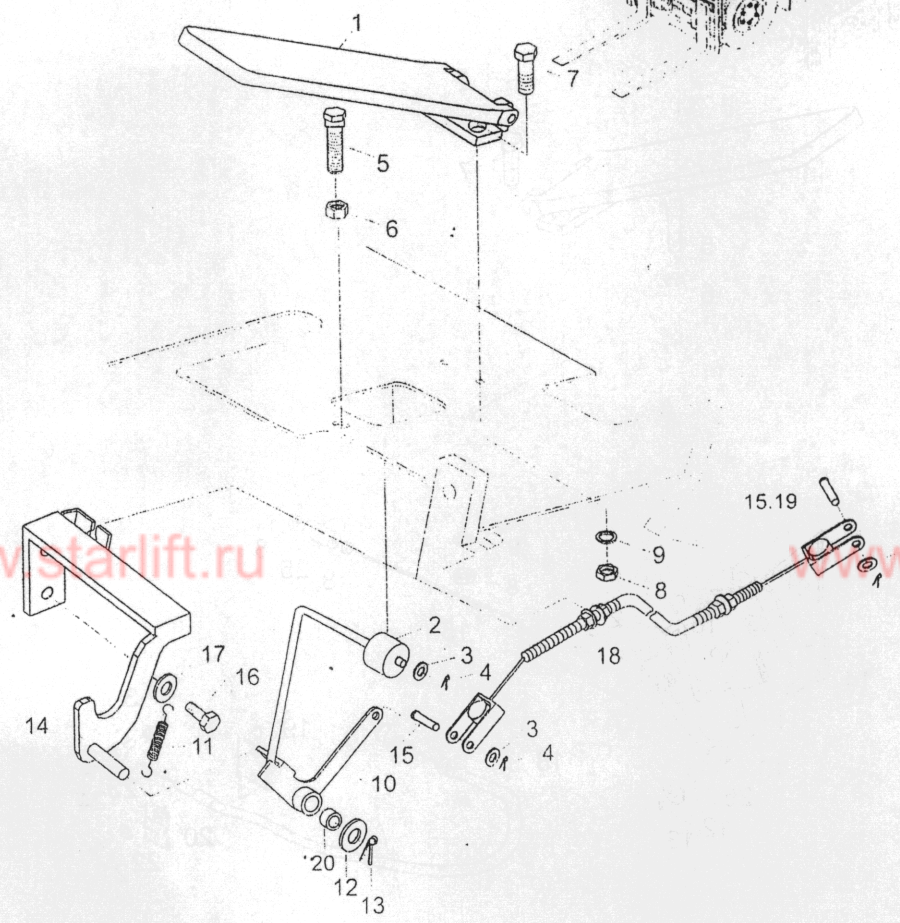


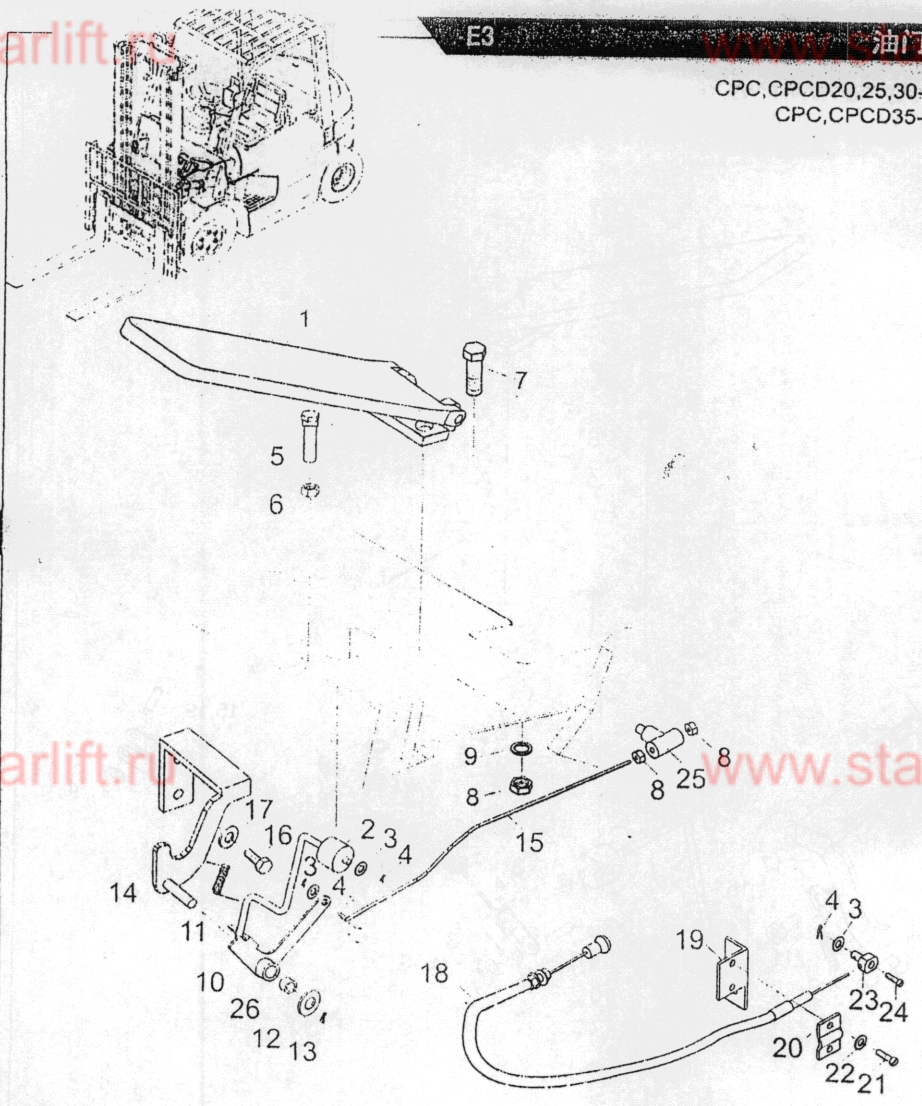
CPQD20,25,30,35
CPCD20,25,30-W7,W8,W9,Xs1
CPCD35-W4,W5,W6,Xs1

序号 Item No	图号 Part No	零部件名称 Description	件数 Q'ty	备注 Remark
01	H24C5-60201	Accelerator pedal ass'y	1	踏板总成
02	H24C5-62021	Sheave	1	滚轮
03	B5310-00006	Washer	1	垫圈6 除CPCD20-35-Xs1 外柴油车 CPQD20-35 GB97.1-85
04	B3010-02020	Pin	3	CPCD20-35-Xs1
		开口销2 × 20	1	CPQD20-35 GB91-86
			2	除CPCD20-35-Xs1 外柴油车
			3	CPCD20-35-Xs1
05	25785-22111	Bolt	1	螺栓
06	B4216-00012	Nut	1	螺母M12 × 1.25 GB6171-86
07	B0330-06020	Bolt	2	螺栓M6 × 20 GB5783-86
08	B4116-00006	Nut	2	螺母M6 GB6170-86
09	B5050-00006	Washer,lock	2	垫圈6 GB93-87
10	H24C5-60311	Bracket	1	连接轴架
11	25785-22031	Spring	1	弹簧
12	B5310-00010	Washer	1	垫圈10 GB97.1-85
13	B3010-3P220	Pin	1	销3.2 × 20 GB91-86
14	H24C5-60401	Bracket	1	支架
15	B3220-06012	Pin,axle	1	销轴B6 × 12 除CPCD20-35-Xs1 外柴油车 GB882-86 CPQD20-35
			2	CPCD20-35-Xs1
16	B0330-10020	Bolt	2	螺栓M10 × 20 GB5783-86
17	B5050-00010	Washer,lock	2	垫圈10 GB93-87
18	H24C5-60501	Soft shaft	1	油门拉索 CPQD20-35
-	H25S5-60501	Soft shaft	1	油门拉索 CPCD20-30-W7,W9 CPCD35-W5,W6
-	H25T5-60501	Soft shaft	1	油门拉索 CPCD20-30-W8 CPCD35-W4
-	H21U5-60201	Soft shaft	1	油门拉索 CPCD20-35-Xs1
19	B3220-05012	Pin,axle	1	销轴B5X12 除CPCD20-35-Xs1 外柴油车GB882-86
20	Z2131-01015	Bushing	1	钢背轴承1015



序号 Item No	图号 Part No	零部件名称 Description	件数 Q'ty	备注 Remark
01	H24C5-60201	Accelerator pedal ass'y	1	踏板总成
02	H24C5-60201	Sheave	1	滚轮
03	B5310-00006	Washer	1	垫圈6
04	B3010-02020	Pin	3	开口销2×20
05	25785-22111	Bolt	1	螺栓
06	B4216-00012	Nut	1	螺母M12×1.25
07	B0330-06020	Bolt	2	螺栓M6×20
08	B4116-00006	Nut	2	螺母M6
09	B5050-00006	Washer,Lock	2	垫圈6
10	H24C5-60611	Bracket	1	连接轴架
11	25785-22031	Spring	1	弹簧
12	B5310-00010	Washer	1	垫圈10
13	B3010-3P220	Pin	1	销3.2×20
14	H24C5-60701	Bracket	1	支架
15	B3220-06012	Pin, axle	1	销轴B6×12
16	B0330-10020	Bolt	2	螺栓M10×20
17	B5050-00010	Washer,lock	2	垫圈10
18	H24C5-60501	Soft shaft	1	油门拉索
-	H25S5-60501	Soft shaft	1	油门拉索
-	H25T5-60501	Soft shaft	1	油门拉索
-	H21U5-60201	Soft shaft	1	油门拉索
19	B3220-05012	Pin,axle	1	销轴B5X12
20	Z2131-01015	Bushing	1	钢背轴承1015



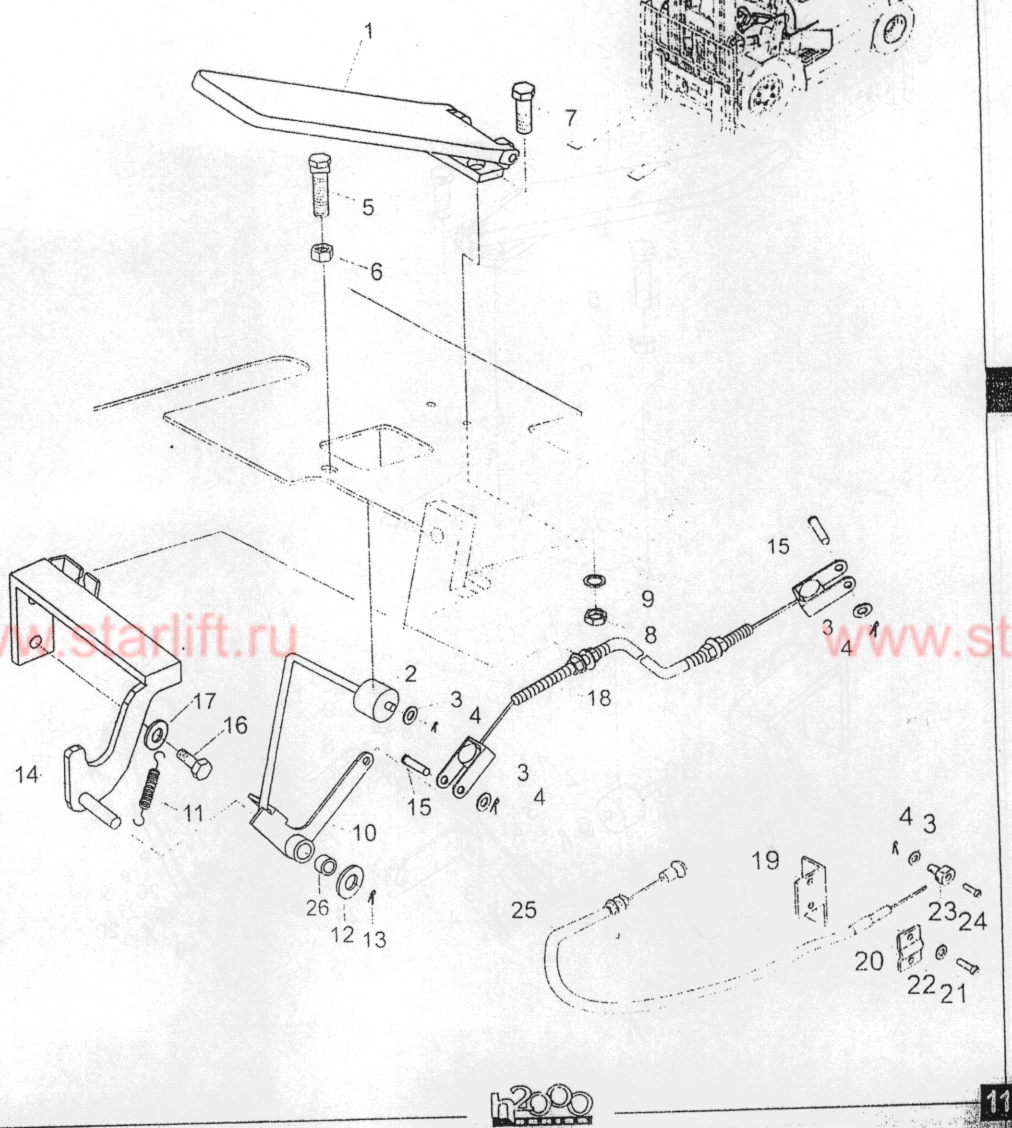


CPC,CPCD20,25,30-X6
CPC,CPCD35-X2

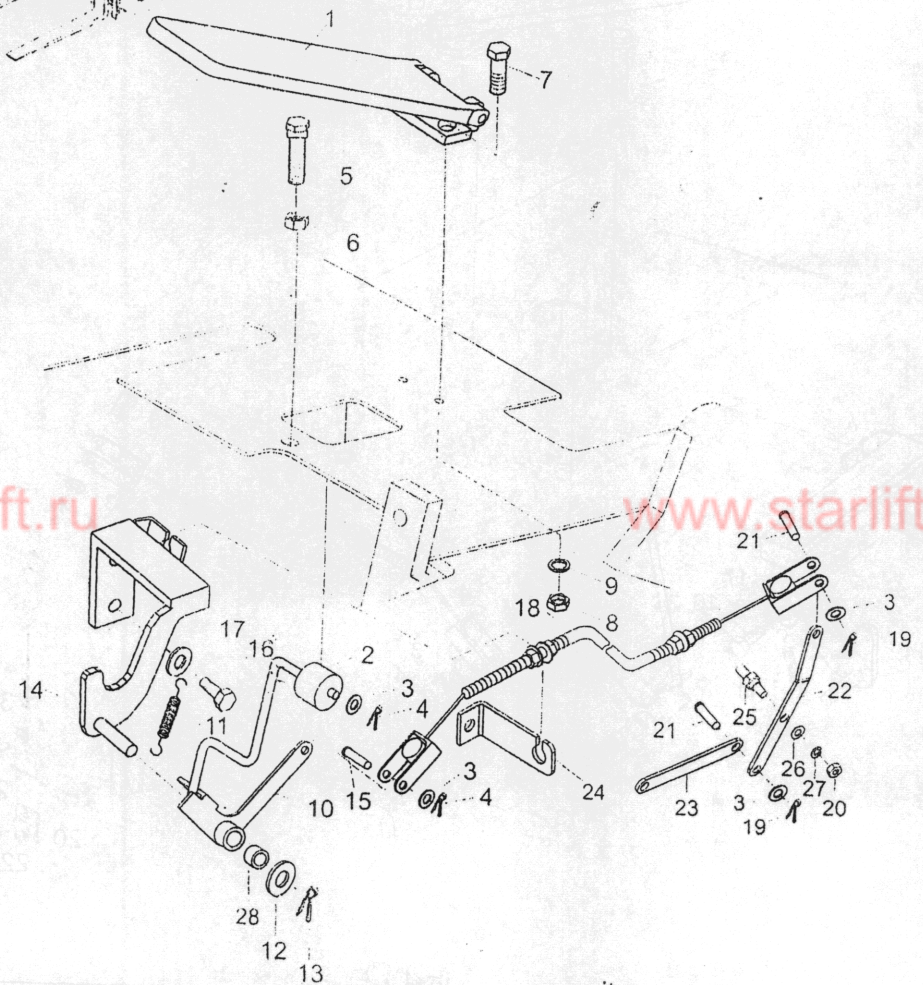
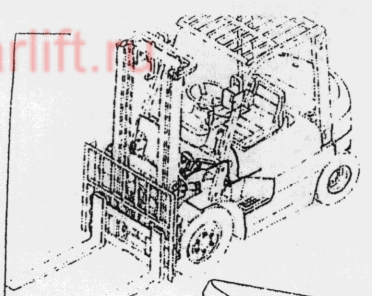
序号 Item No	图号 Part No	零部件名称 Description	件数 Q'ty	备注 Remark
01	H24C5-60201	Accelerator pedal ass'y	踏板总成	1
02	H24C5-62021	Sheave	滚轮	1
03	B5310-00006	Washer	垫圈6	3 GB97.1-85
04	B3010-U2020	Pin	销2X20	3 GB91-86
05	25785-22111	Bolt	螺栓	1
06	B4216-00012	Nut	螺母M12X1.25	1 GB6171-86
07	B0320-06020	Bolt	螺栓M6X20	2 GB5783-86
08	B4116-00006	Nut	螺母M6	4 GB6170-86
09	B5050-00006	Washer,lock	垫圈6	2 GB93-87
10	H93C5-20211	Bracket	连接轴架	1
11	25785-22031	Spring	弹簧	1
12	B5310-00010	Washer	垫圈10	1 GB97.1-85
13	B3010-03020	Pin	销3X20	1 GB91-86
14	H93C5-20301	Bracket	支架	1
15	A97A5-22001	Link	拉杆	1
16	B0330-10020	Bolt	螺栓M10X20	2 GB5783-86
17	B5050-00010	Washer,lock	垫圈10	2 GB93-87
18	20065-23000G	Flameout control unit	熄火操纵装置	1
19	3C53-00-08	Bracket	钢丝绳固定架	1
20	3C53-00-06	Bracket	钢丝绳固定板	1
21	B1110-04016	Bolt	螺钉M4X16	2 GB67-85
22	B5050-00004	Washer,lock	垫圈4	2 GB93-87
23	20065-22000G	Pin	钢丝绳固定销	1
24	B1110-04010	Bolt	螺钉M4X10	1 GB67-85
25	3C53-00-09	Yoke	耳子	1
26	Z2131-01015	Bushing	钢背轴承1015	1

图91/F1G91

图号 Item No	图号 Part No	零部件名称 Description	件数 Q'ty	备注 Remark
A	H99Y5-20001	Accelerator pedal	油门操纵装置	1
01	H24C5-60201	Accelerator pedal ass'y	踏板总成	1
02	H24C5-62021	Trolley	滚轮	1
03	B5310-00006	Washer	垫圈6	3
04	B3010-02020	Pin,snap	销2X20	3
05	25785-22111	Bolt	螺栓	1
06	B4216-00012	Nut	螺母M12X1.25	1
07	B0320-06020	Bolt	螺栓M6X20	2
08	B4116-00006	Nut	螺母M6	2
09	B5050-00006	Washer,lock	垫圈6	2
10	H24C5-60311	Bracket	连接轴架	1
	H24C5-60611	Bracket	连接轴架	1
11	25785-22031	Spring	弹簧	1
12	B5310-00010	Washer	垫圈10	1
13	B3010-03020	Pin,snap	销3X20	1
14	H24C5-60401	Bracket	支架	1
	H24C5-60701	Bracket	支架	1
15	B3220-06012	Pin	销B6X12	1
16	B0330-10020	Bolt	螺栓M10X20	2
17	B5050-00010	Washer,lock	垫圈10	2
18	H99Y5-20011	Soft shaft	油门拉索	1
19	3C53-00-08	Bracket	钢丝绳固定架	1
20	3C53-00-06	Bracket	钢丝绳固定板	1
21	B1110-04016	Bolt	螺钉M4X16	2
22	B5050-00004	Washer,lock	垫圈4	2
23	20065-22000G	Pin	钢丝绳固定销	1
24	B1110-04010	Bolt	螺钉M4X10	1
25	20065-23000G	Flameout control unit	熄火操纵装置	1
26	Z2131-01015	Bushing	钢背轴承1015	1



CPC, CPCD20, 25, 30, 35-HJ

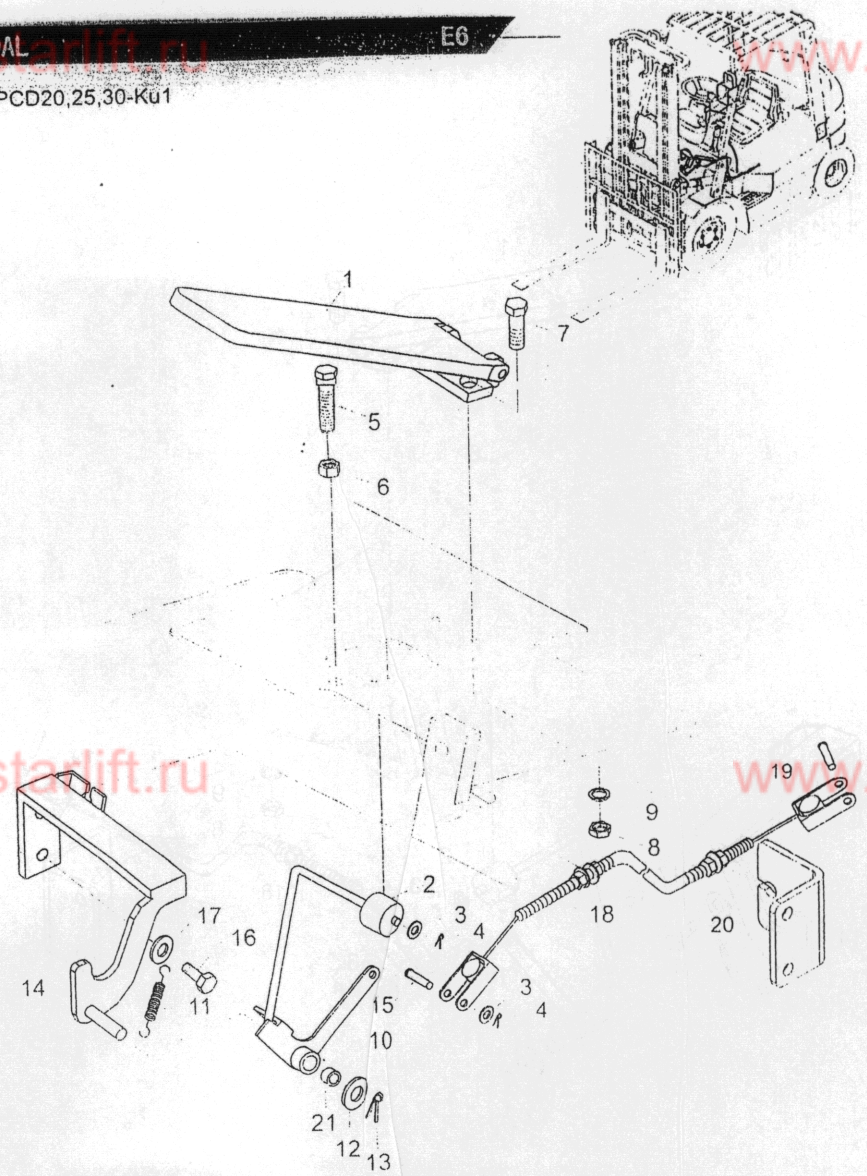


序号 Item No	图号 Part No	零部件名称 Description	件数 Qty	备注 Remark
01	H24C5-60201	Accelerator pedal ass'y	踏板总成	1
02	H24C5-62021	Sheave	滚轮	1
03	B5310-00006	Washer	垫圈6	4 GB97.1-85
04	B3010-02020	Pin	销2 × 20	1 GB91-86
05	25785-22111	Bolt	螺栓	1
06	B4216-00012	Nut	螺母M12 × 1.25	1 GB6171-86
07	B0320-06020	Bolt	螺栓M6 × 20	2 GB5783-86
08	B4116-00006	Nut	螺母M6	2 GB6170-86
09	B5050-00006	Washer, lock	垫圈6	2 GB93-87
10	H24C5-60311	Bracket	连接轴架	1 CPCD20-30
-	H24C5-60611	Bracket	连接轴架	1 CPC20-30
11	25785-22031	Spring	弹簧	1
12	B5310-00010	Washer	垫圈10	1 GB97.1-85
13	B3010-03020	Pin, cotter	销3 × 20	1 GB91-86
14	H24C5-60401	Bracket	支架	1 CPCD20-30
-	H24C5-60701	Bracket	支架	1 CPC20-30
15	B3220-06012	Pin, axle	销B6 × 12	1 GB882-86
16	B0330-10020	Bolt	螺栓M10 × 20	2 GB5783-86
17	B5050-00010	Washer, lock	垫圈10	2 GB93-87
18	H97Y5-20011	Soft shaft	油门拉索	1
19	B3030-02020	Pin, cotter	销2X20	3 GB91-86
20	B4123-00004	Nut	螺母M4	1 GB6170-86
21	B3220-06012	Pin, axle	销B6X12	3 GB882-86
22	P62A5-22111	Link	摇臂	1
23	P62A5-22121	Link	摇臂	1
24	P62A5-22131	Clip	夹板	1
25	P62A5-22141	Bolt	螺栓	1
26	B5713-00004	Washer	垫圈4	1 GB848-85
27	B5050-00004	Washer, lock	垫圈4	1 GB93-87
28	Z2131-01015	Bushing	钢背轴承1015	1

E

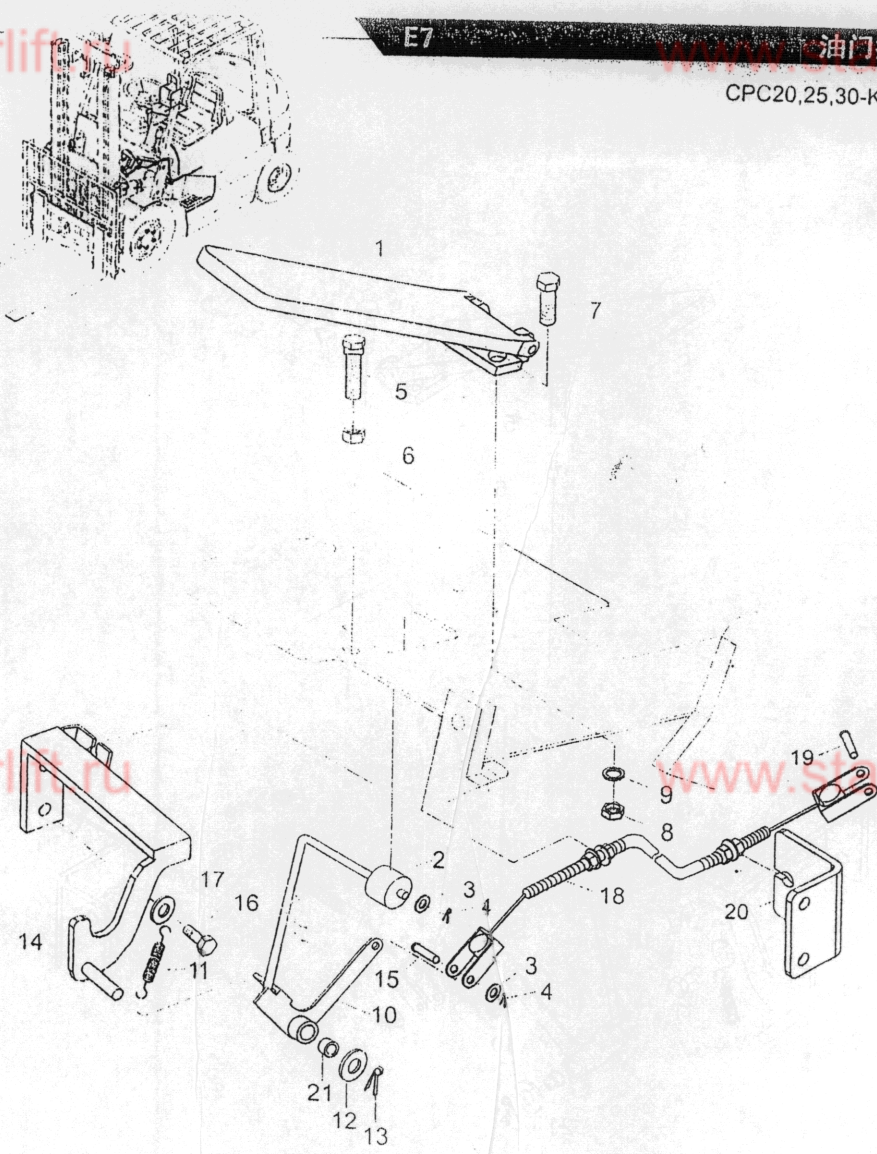
CPCD20,25,30-Ku1

序号 Item No	图号 Part No	零部件名称 Description	件数 Q'ty	备注 Remark
A	H2B95-60001	Accelerator pedal	油门操纵装置	1
01	H24C5-60201	Accelerator pedal ass'y	踏板总成	1
02	H24C5-62021	Sheave	滚轮	1
03	B5310-00006	Washer	垫圈6	2
04	B3010-02020	Pin	销2×20	2
05	25785-22111	Bolt	螺栓	1
06	B4216-00012	Nut	螺母M12×1.25	1
07	B0330-06020	Bolt	螺栓M6×20	2
08	B4116-00006	Nut	螺母M6	2
09	B5050-00006	Washer,lock	垫圈6	2
10	H24C5-60311	Bracket	连接轴架	1
11	25785-22031	Spring	弹簧	1
12	B5310-00010	Washer	垫圈10	1
13	B3010-3P220	Pin	销3.2×20	1
14	H24C5-60401	Bracket	支架	1
15	B3220-06012	Pin,axle	销B6×12	1
16	B0330-10020	Bolt	螺栓M10×20	2
17	B5050-00010	Washer,lock	垫圈10	2
18	H25S5-60501	Soft shaft	油门拉索	1
19	B3220-05012	Pin,axle	销B5×12	1
20	H2B95-62011	Bracket	油门支架	1
21	Z2131-01015	Bushing	钢背轴承1015	1



油门操纵/ACCELERATOR PEDAL

CPC20,25,30-Ku1



序号 Item No	图号 Part No	零部件名称 Description	件数 Q'ty	备注 Remark
A	H2A95-60001	Accelerator pedal	油门操纵装置	1
01	H24C5-60201	Accelerator pedal ass'y	踏板总成	1
02	H24C5-62021	Sheave	滚轮	1
03	B5310-00006	Washer	垫圈6	2 GB971-85
04	B3010-02020	Pin	销2×20	2 GB91-86
05	25785-22111	Bolt	螺栓	1
06	B4216-00012	Nut	螺母M12×1.25	1 GB6171-86
07	B0330-06020	Bolt	螺栓M6×20	2 GB5783-86
08	B4116-00006	Nut	螺母M6	2 GB6170-86
09	B5050-00006	Washer,lock	垫圈6	2 GB93-87
10	H24C5-60611	Bracket	连接轴架	1
11	25785-22031	Spring	弹簧	1
12	B5310-00010	Washer	垫圈10	1 GB971-85
13	B3010-3P220	Pin	销3.2×20	1 GB91-86
14	H24C5-60701	Bracket	支架	1
15	B3220-06012	Pin,axle	销B6×12	1 GB882-86
16	B0330-10020	Bolt	螺栓M10×20	2 GB5783-86
17	B5050-00010	Washer,lock	垫圈10	2 GB93-87
18	H25S5-60501	Soft shaft	油门拉索	1
19	B3220-05012	Pin,axle	销B5×12	1 GB882-86
20	H2B95-62011	Bracket	油门支架	1
21	Z2131-01015	Bushing	钢背轴承1015	1

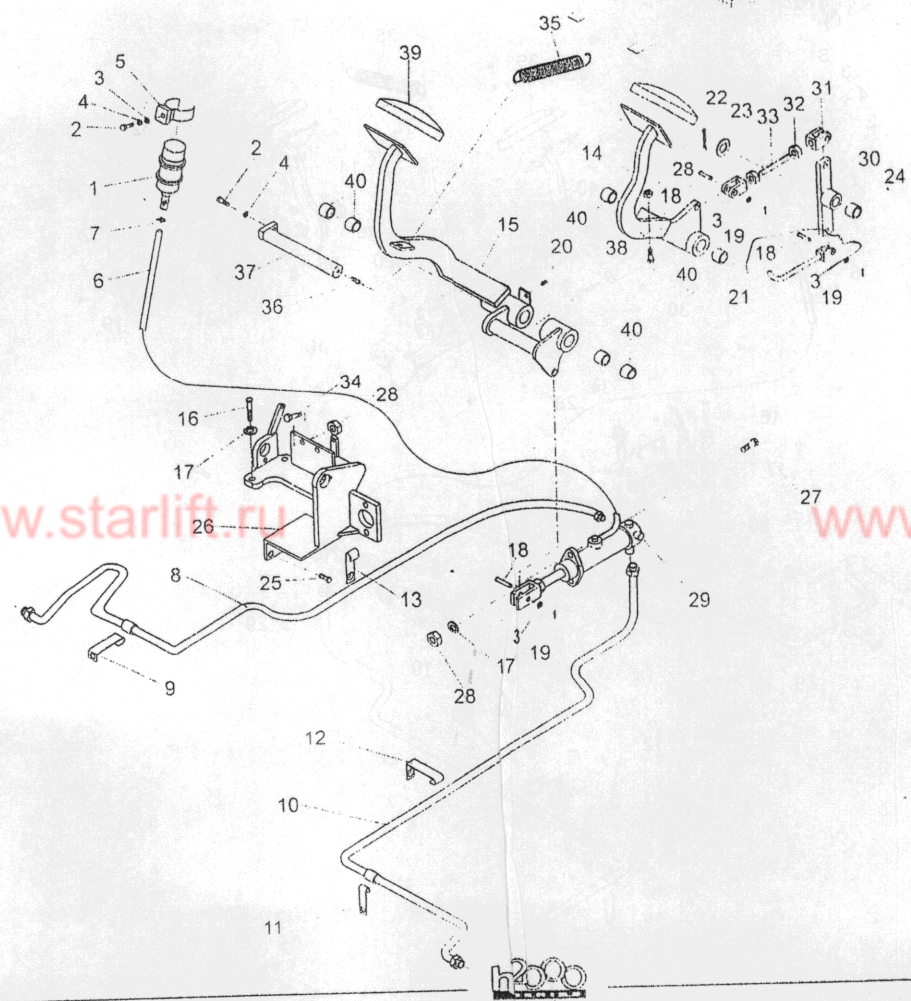
图95/FIG95

行车制动与微动操纵(液力式)/BRAKE & INCHING CONTROL (FOR-CON TYPE)

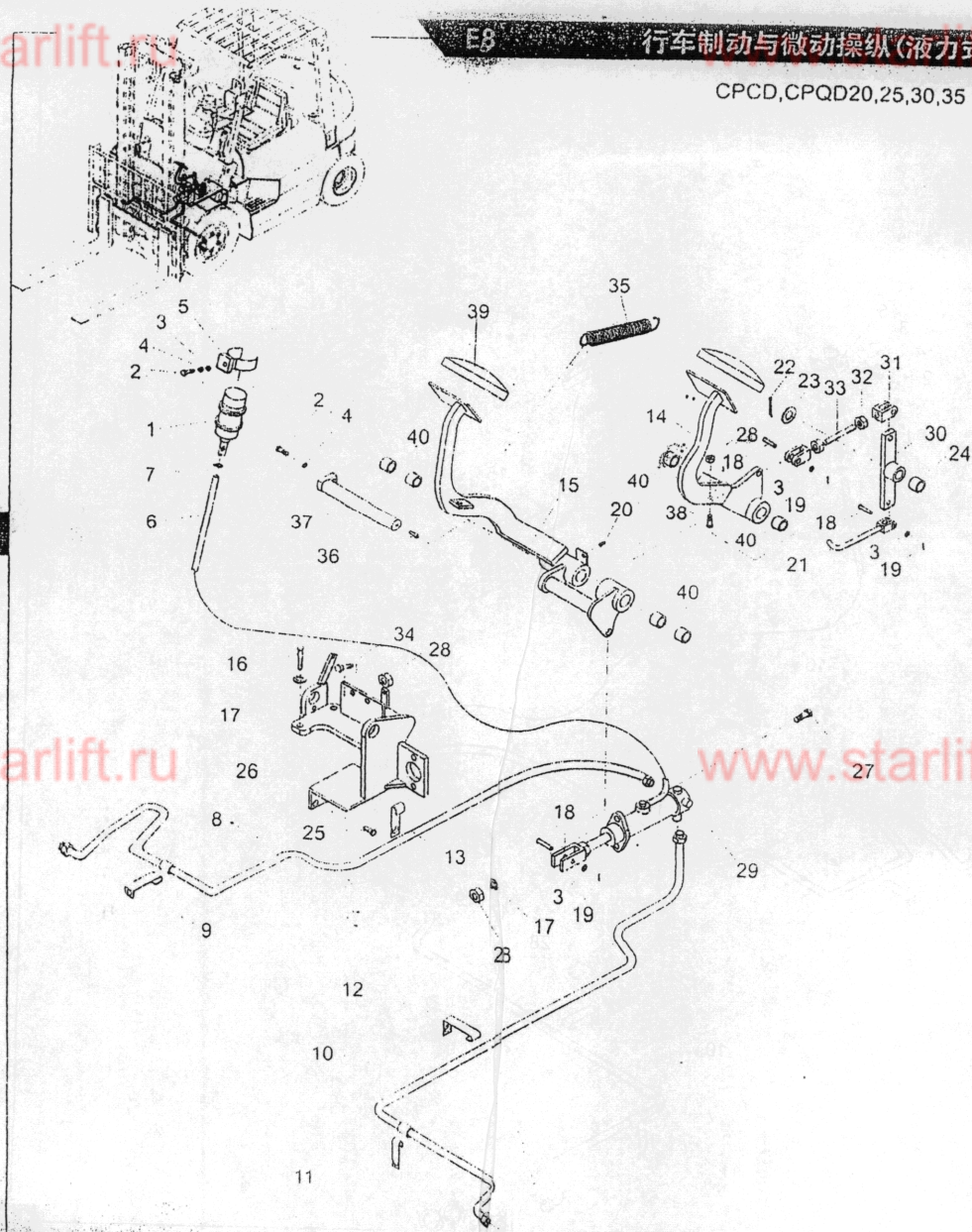
E8

序号 Item No	图号 Part No	零部件名称 Description	件数 Q'ty	备注 Remark
A	H25S5-40001	Inching & Brake pedal ass'y	1	CPCD20,25
-	H24S5-40001	Inching & Brake pedal ass'y	1	CPQD20,25
-	H25T5-40001	Inching & Brake pedal ass'y	1	CPQD30,35 CPCD30,35
01	23775-42102	Tank, reserve	1	制动液储油罐
02	B0330-08020	Bolt	2	螺栓M8X20
03	B5310-00008	Washer	6	垫圈8
04	B5050-00008	Washer, lock	2	垫圈8
05	H24C5-31901	Clip	1	储油罐夹
06	Z7302-10110	Hose	1	胶管∅9.5 L=1100
07	Z4590-00016	Clip	2	双钢丝卡箍∅16
08	H25S5-40202	Hose	1	油管总成(右)
-	H25T5-40201	Hose	1	制动油管(右)
09	24455-42211	Clip	1	管夹
10	22505-42121G	Hose	1	油管总成
-	H25T5-40301	Hose	1	制动油管(左)
11	H24C5-32041	Clip	1	管夹
12	24245-42201	Clip	1	管夹
13	24245-42301	Clip	1	管夹
14	H25S5-40401	Inching pedal	1	微动踏板
15	H25S5-40501	Brake pedal	1	制动踏板
16	B0330-10025	Bolt	2	螺栓M10X25
17	B5050-00010	Washer, lock	2	垫圈10
18	B3230-08030	Pin, clevis	4	销B8X30
19	B3010-2P516	Pin	5	销2.5X16
20	23235-40091	Rubber	1	橡皮顶轴
21	22505-42001	Link	1	连接杆
22	B5310-00016	Washer	1	垫圈16
23	B3010-04026	Pin	1	销4X26
24	Z2135-01625	Bushing	1	钢背轴承1625
25	B0330-10020	Bolt	2	螺栓M10X20

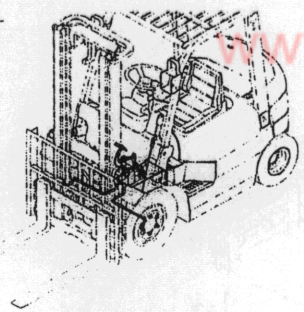
CPCD, CPQD20,25,30,35



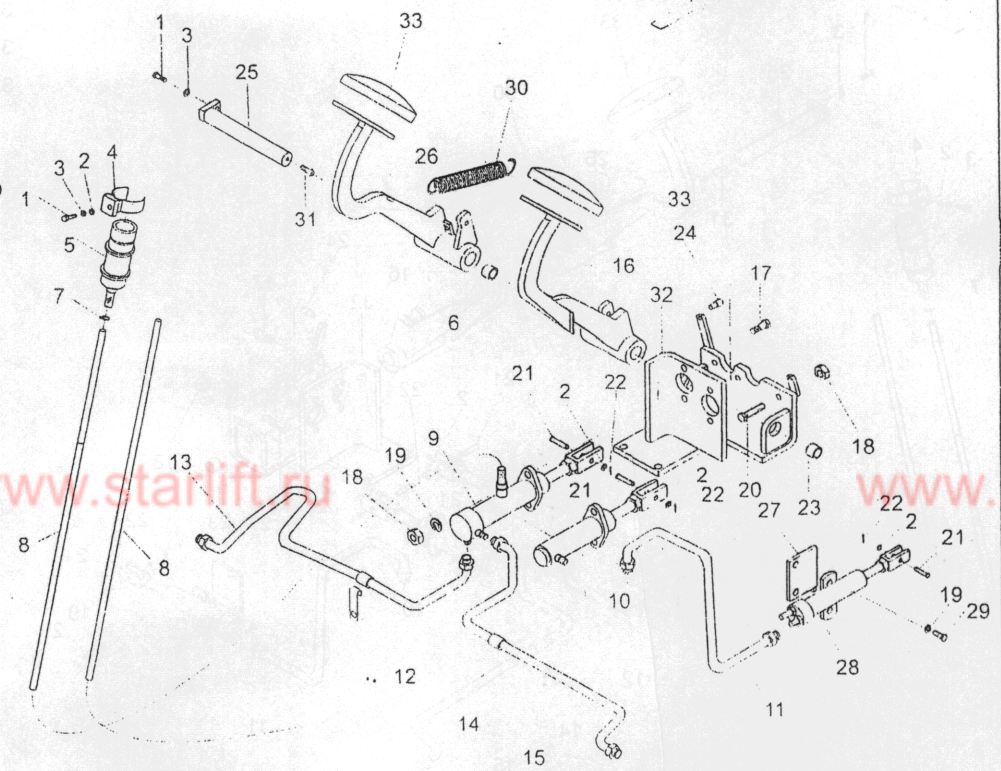
CPCD, CPQD20, 25, 30, 35



序号 Item No	图号 Part No	零部件名称 Description	件数 Q'ty	备注 Remark
26	H24S5-40601	Bracket	1	支架
27	B0330-10035	Bolt	2	螺栓M10×35 GB5783-86
28	B4116-00010	Nut	4	螺母M10 GB6170-86
29	25595-40302	Master cylinder	1	制动总泵 See Fig.98
30	H25S5-40701	Link	1	摇臂
31	H25S5-42221	Clevis	1	支耳M10-6H(左旋)
-	H25S5-42211	Clevis	1	支耳M10-6H(右旋)
32	B4123-10010	Nut	1	螺母M10(左) GB6170-86
33	23745-42031	Rod	1	螺杆
34	B0330-10030	Bolt	1	螺栓M10×30 GB5783-86
35	20155-30061	Spring	2	拉簧
36	Z2513-01010	Fitting	1	油杯90M10×1 GB1153-74
37	25595-42182	Shaft	1	油轴
38	B0330-10040	Bolt	1	螺栓M10×40 GB5783-86
39	25595-42071	Head cover	2	踏板垫
40	Z2135-02525	Bushing	6	钢背轴承2525

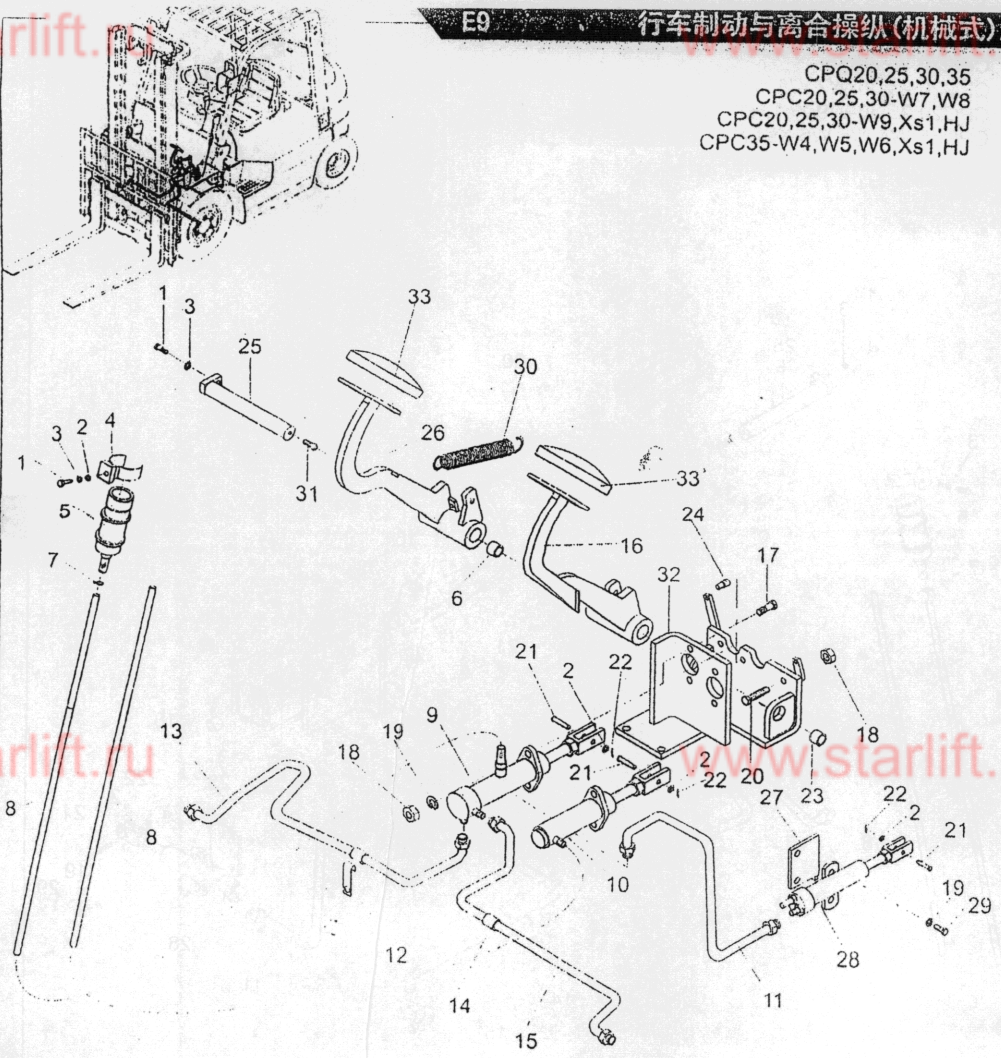


序号 Item No	图号 Part No	零部件名称 Description	件数 Q'ty	备注 Remark
A	H24C5-30001	Clutch&Breake pedal ass'y	1	CPQ20,25
	H24N5-30001	Clutch&Breake pedal ass'y	1	CPC20,25,30-W7,W8 CPC20,25,30-W9,Xs1,HJ CPC35-W4,W5,W6,Xs1,HJ
01	B0330-08020	Bolt	2	GB5783-86
02	B5310-00008	Washer	4	GB97.1-85
03	B5050-00008	Washer, lock	2	GB93-87
04	H24C5-31901	Clip	1	
05	H24C5-30301	Tank, reserve	1	
06	Z2131-02525	Bushing	2	
07	Z4590-00016	Clip	4	
08	Z7302-10050	Hose	2	GB/T7127.1-2000
09	25595-40302	Master cylinder	1	See Fig.98
10	H24C5-30401	Master cylinder	1	
11	H24C5-30501	Hose	1	
12	24455-42211	Clip	1	
13	H24C5-30601	Hose(right)	1	CPC20,25 CPQ20,25
	H24N5-30201	Hose(right)	1	CPC30,35 CPQ30,35
14	H24C5-32041	Clip	1	
15	H24C5-30701	Hose(left)	1	CPC20,25 CPQ20,25
	H24N5-30301	Hose(left)	1	CPC30,35 CPQ30,35
16	H24C5-30801	Clutch pedal (Inc.23)	1	
17	B0330-10035	Bolt	4	GB5783-86
18	B4116-00010	Nut	8	GB6170-86
19	B5050-00010	Washer,lock	6	GB93-87
20	B0330-10035	Bolt	2	GB5783-86
21	B3220-10026	Pin, clevis	3	GB882-86
22	B3010-2P516	Pin, snap	3	GB91-86
23	Z2132-02525	Bushing	2	
24	Z3235-40091	Rubber	1	
25	H24C5-30901	Pin, clevis	1	
26	H24C5-31001	Brake pedal (Inc.6)	1	



CPQ20,25,30,35
 CPC20,25,30-W7,W8
 CPC20,25,30-W9,Xs1,HJ
 CPC35-W4,W5,W6,Xs1,HJ

序号 Item No	图号 Part No	零部件名称 Description	件数 Q'ty	备注 Remark
27	H24C5-31101	Bracket	支承架	1
28	H24C5-31201	Release cylinder	离合助力泵	1
29	B0330-10030	Bolt	螺栓 M10 X30	2 GB5783-86
30	20155-30061	Spring	拉簧	2
31	Z2513-01010	Fitting	油杯90M10X1	1 GB1153-74
32	H24C5-31301	Bracket	支架	1
33	25595-42071	Head cover	踏板垫	2

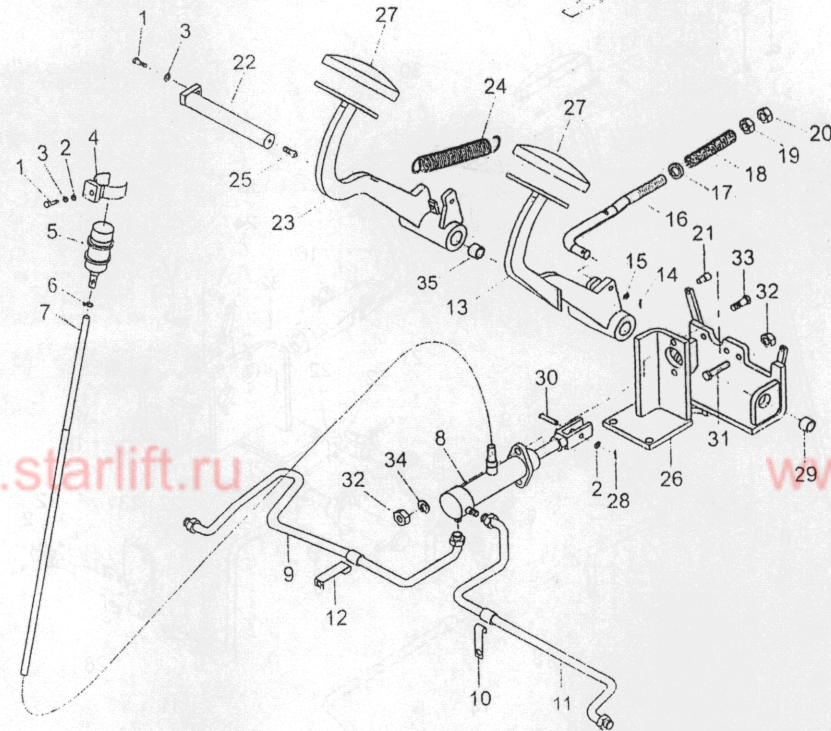
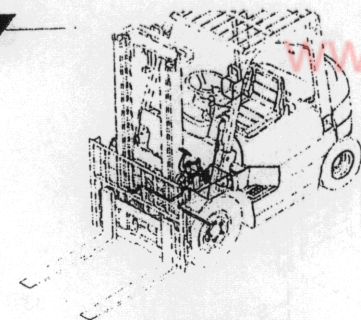


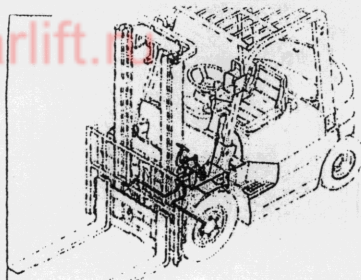
E

图97/F1G97

序号 Item No	图号 Part No	零部件名称 Description	件数 Q'ty	备注 Remark
A	HRH93C5301	Clutch&Breake pedal ass'y	1	2t,2.5t
	H93C5-30001	Clutch&Breake pedal ass'y	1	3t,3.5t
	H93N5-30001	Clutch&Breake pedal ass'y	1	
1	B0330-08020	Bolt	2	GB5783-86
2	B5310-00008	Washer	2	GB97.1-85
3	B5050-00008	Washer,lock	2	GB93-87
4	H24C5-31901	Clip	1	
5	23775-42102	Tank,reserve	1	
6	Z4590-00016	Clip	4	
7	Z7302-10050	Hose	1	双钢丝卡箍 \varnothing 16
8	25595-40302	Master cylinder	1	制动总泵
9	H24C5-30601	Hose(right)	1	See Fig. 98 2t,2.5t
-	H24N5-30201	Hose(right)	1	3t,3.5t
10	24455-42211	Clip	1	管夹
11	H24C5-30701	Hose(left)	1	2t,2.5t
-	H24N5-30301	Hose(left)	1	3t,3.5t
12	H24C5-32041	Clip	1	管夹
13	H93C5-30211	Clutch pedal	1	离合踏板
14	B3010-2P530	Snap pin	1	销 2.5X30
15	B5310-00010	Washer	1	垫圈 10
16	H93C5-32041	Rod	1	分离杆
17	23655-32521	Washer	1	垫圈
18	23655-32512	Spring	1	压簧
19	22215-30042	Nut	1	螺母
20	B4123-00012	Nut	1	螺母 M12
21	23235-40091	Rubber	1	橡皮顶轴
22	H24C5-30901	Pin,clevis	1	销轴
23	H24C5-31001	Brake pedal (包含35)	1	制动踏板
24	20155-30061	Spring	2	拉簧
25	Z2513-01010	Fitting	1	油杯 90° M10X1
26	H93C5-30201	Bracket	1	支架

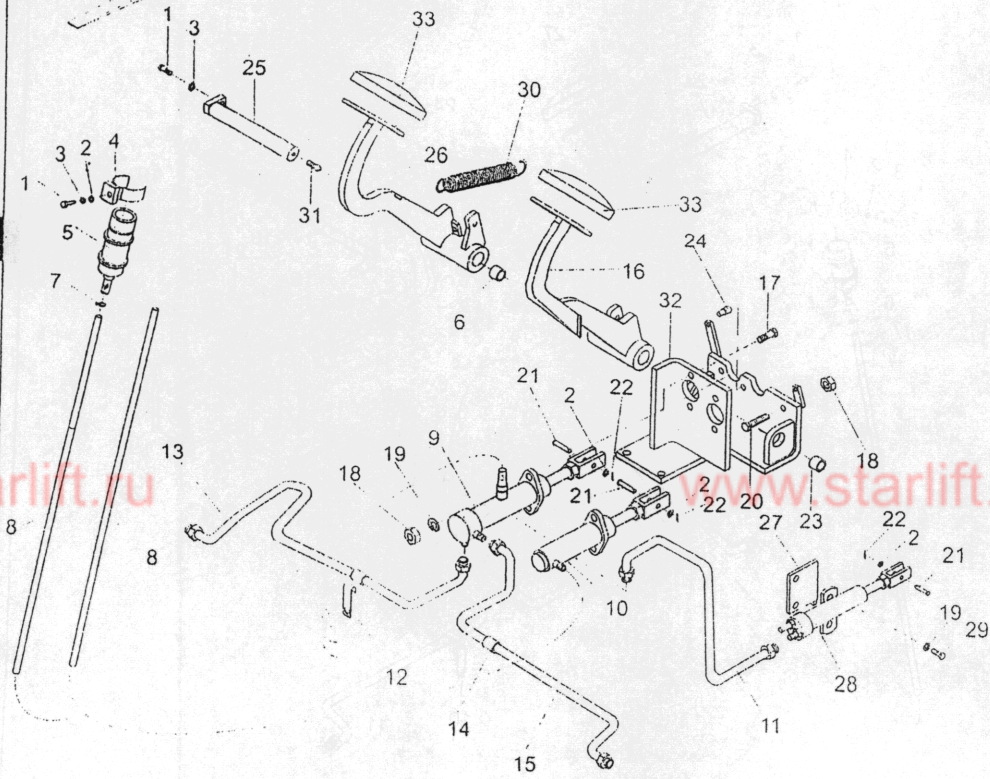
CPC20,25,30-X6,S2,D,Ku1
CPC35-X2,S1,D
CPQ20,25,30,35-ZJ2,ZJ3





CPQ20,25,30,35
CPC20,25,30-W7,W8
CPC20,25,30-W9,Xs1,HJ
CPC35-W4,W5,W6,Xs1,HJ

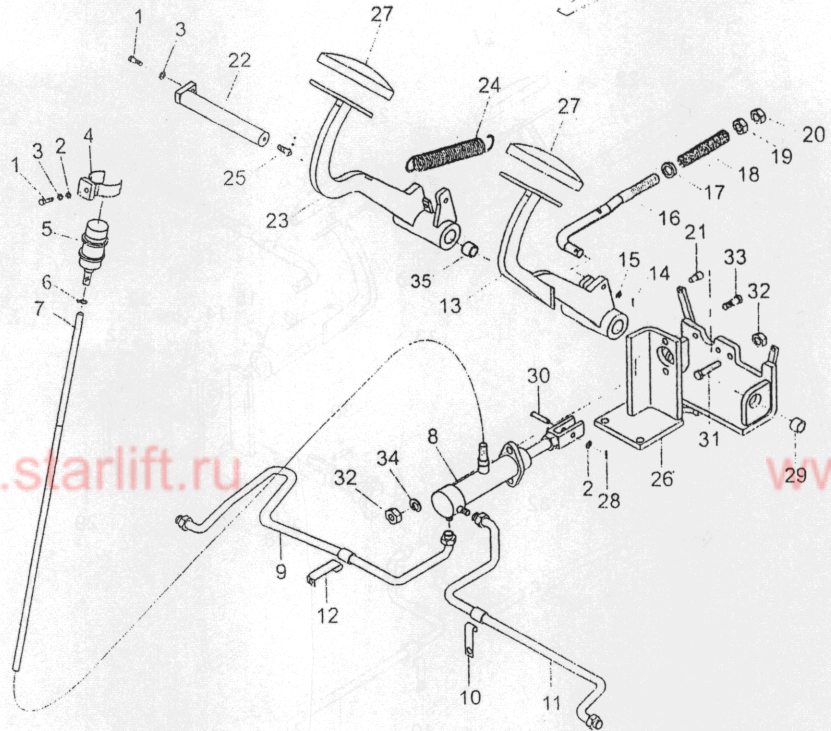
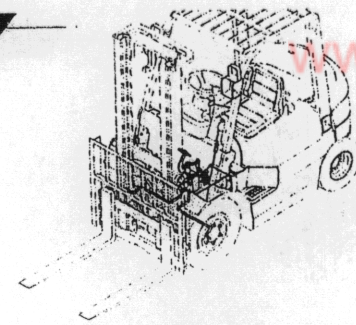
序号 Item No	图号 Part No	零部件名称 Description	件数 Q'ty	备注 Remark
27	H24C5-31101	Bracket	1	支承架
28	H24C5-31201	Release cylinder	1	离合助力泵
29	B0330-10030	Bolt	2	螺栓 M10 X30
30	20155-30061	Spring	2	拉簧
31	Z2513-01010	Fitting	1	油杯90M10X1
32	H24C5-31301	Bracket	1	支架
33	25595-42071	Head cover	2	踏板垫



E

序号 Item No	图号 Part No	零部件名称 Description	件数 Q'ty	备注 Remark
A	HRH93C5301	Clutch&Breake pedal ass'y	1	2t,2.5t
	H93C5-30001	Clutch&Breake pedal ass'y	1	3t,3.5t
1	B0330-08020	Bolt	2	GB5783-86
2	B5310-00008	Washer	2	GB97.1-85
3	B5050-00008	Washer,lock	2	GB93-87
4	H24C5-31901	Clip	1	
5	23775-42102	Tank,reserve	1	
6	Z4590-00016	Clip	4	
7	Z7302-10050	Hose	1	胶管∅9.5 L=500
8	25595-40302	Master cylinder	1	See Fig. 98
9	H24C5-30601	Hose(right)	1	2t,2.5t
	H24N5-30201	Hose(right)	1	3t,3.5t
10	24455-42211	Clip	1	
11	H24C5-30701	Hose(left)	1	2t,2.5t
	H24N5-30301	Hose(left)	1	3t,3.5t
12	H24C5-32041	Clip	1	
13	H93C5-30211	Clutch pedal	1	
14	B3010-2P530	Snap, pin	1	GB91-86
15	B5310-00010	Washer	1	GB97.1-85
16	H93C5-32041	Rod	1	
17	23655-32521	Washer	1	
18	23655-32512	Spring	1	
19	22215-30042	Nut	1	
20	B4123-00012	Nut	1	螺母M12
21	23235-40091	Rubber	1	
22	H24C5-30901	Pin,clevis	1	
23	H24C5-31001	Brake pedal (包含35)	1	
24	20155-30061	Spring	2	
25	Z2513-01010	Fitting	1	油杯90° M10X1
26	H93C5-30201	Bracket	1	

CPC20,25,30-X6,S2,D,Ku1
CPC35-X2,S1,D
CPQ20,25,30,35-ZJ2,ZJ3





CPC20,25,30-X6,S2,D,Ku1
CPC35-X2,S1,D
CPQ20,25,30,35-ZJ2,ZJ3

序号 Item No	图号 Part No	零部件名称 Description	件数 Q'ty	备 Remark
27	25595-42071	Head cover	踏板垫 2	
28	B3010-2P516	Pin,snap	销 2.5X16 1	GB91-86
29	Z2132-02525	Bushing	钢背轴承2525 2	
30	B3220-10026	Pin,clevis	销B10X26 1	GB882-86
31	B0330-10030	Bolt	螺栓M10X30 2	GB5783-86
32	B4116-00010	Nut	螺母M10 4	GB6170-86
33	B0330-10035	Bolt	螺栓M10X35 2	GB5783-86
34	B5050-00010	Washer,lock	垫圈10 2	GB93-87
35	Z2131-02525	Bushing	钢背轴承2525 2	

