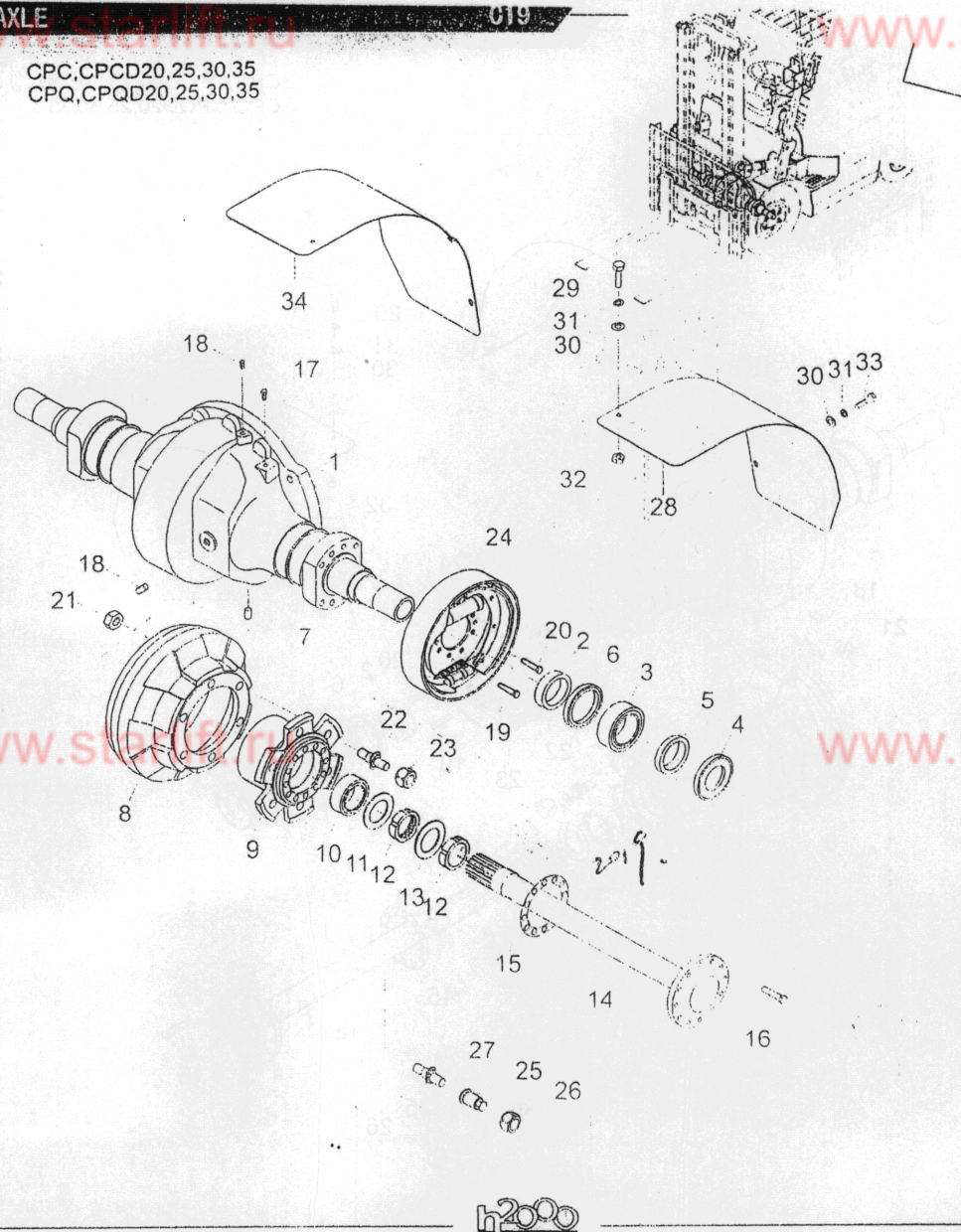
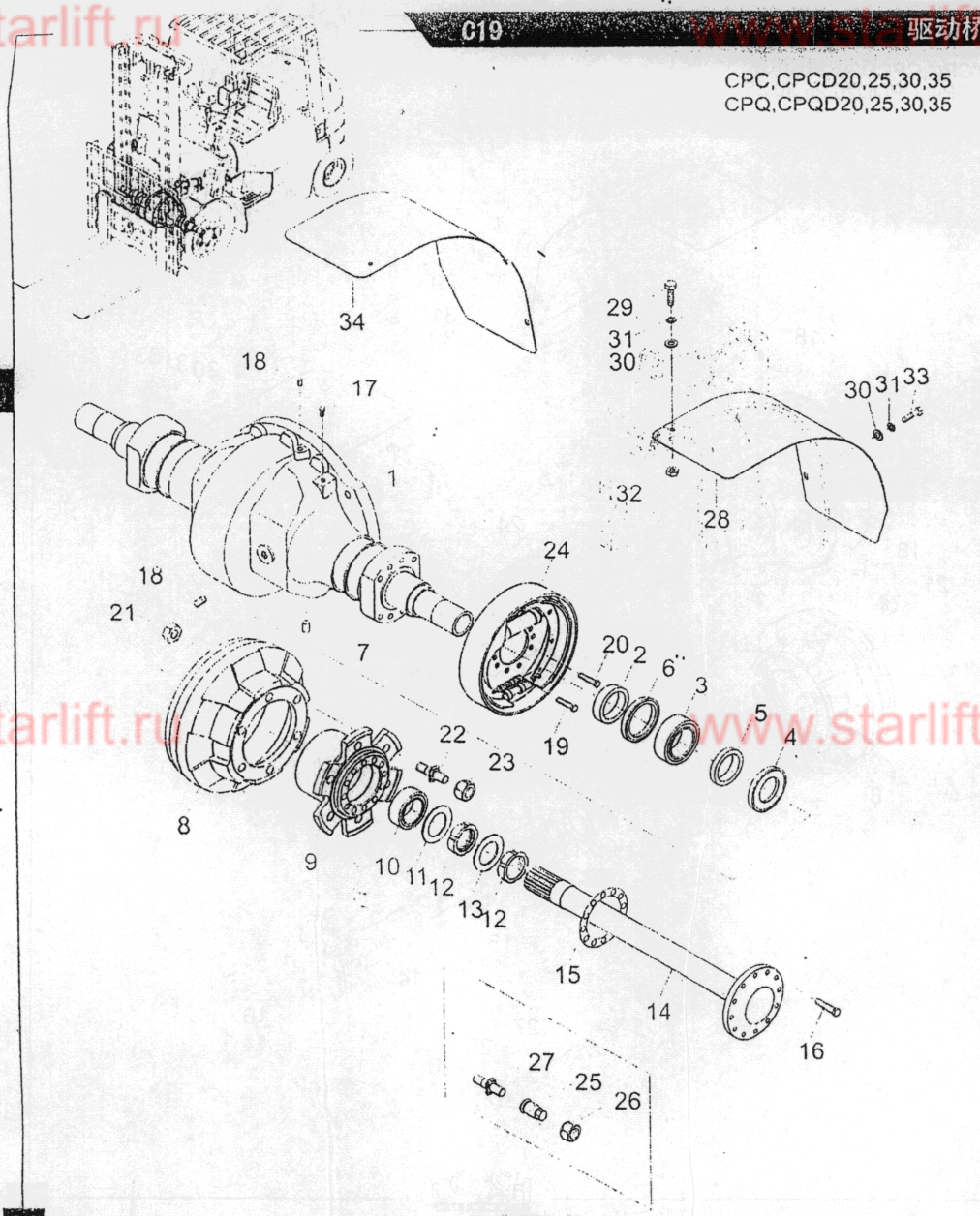


序号 Item No	图号 Part No	零部件名称 Description	件数 Q'ty	备注 Remark
01	A22A3-02041	Housing, axle	桥壳 1	2t,2.5t
-	A22J3-02021	Housing, axle	桥壳 1	3t
-	A01A3-00202	Housing, axle	桥壳 1	3.5t
02	24453-02121G	Retainer, oil seal	油封挡圈 2	
03	Z6311-10014	Seal, oil	U型密封圈FB100X125X12D 2	
04	22493-00030G	Retainer	挡油圈 2	3t
05	22493-00020G	Washer	备用垫 2	
06	Z-30214	Bearing	轴承30214 2	GB/T297-94
07	B3120-10030	Pin	销B10×30 1	GB119-86
08	22673-02031	Drum, brake	制动鼓 2	2t,2.5t 单胎Single tire
-	22673-02031G2	Drum, brake	制动鼓 2	2t,2.5t 双胎Double tire
-	24453-02131	Drum, brake	制动鼓 2	3t,3.5t
09	A22A3-02011	Hub, front	轮毂 2	2t,2.5t 单胎Single tire
-	A22A3-02071	Hub, front	轮毂 2	2t,2.5t 双胎Double tire
-	24453-02031G	Hub, front	轮毂 2	3t,3.5t
10	23453-02071	Oil seal ass'y	轴承油封总成 2	
11	23453-02091	Packing	垫 2	
12	B4732-00060	Nut	螺母M60×2 4	GB810-88
13	B5512-00060	Washer	垫圈60 2	GB858-88
14	HRH24C3001	Shaft, drive	半轴 2	2t,2.5t
-	H24C3-02001	Shaft, drive	半轴 2	3t,3.5t
-	HRH24C3001	Shaft, drive	半轴 2	3t,3.5t
-	H24N3-02001	Shaft, drive	半轴 2	3t,3.5t
15	A22A3-02031	Packing	半轴垫 2	
16	24453-02061	Bolt	螺栓 24	
17	22253-02063b	Breather, air	透气塞 1	
18	22193-03001	Flug	堵塞 3	
19	A22A3-02051	Bolt	螺栓 12	
20	25953-72001	Bolt	螺栓 4	
21	B4223-00020	Nut	螺母M20×1.5 12	GB6171-86
22	REF206486	Bolt	螺栓柱 12	2t,2.5t 单胎Single tire
-	24353-72001	Bolt	螺栓柱 12	3t,3.5t 单胎Single tire
-	REF206486	Bolt	螺栓柱 12	3t,3.5t 单胎Single tire
-	25303-02102	Bolt	螺栓柱 12	3t,3.5t 单胎Single tire



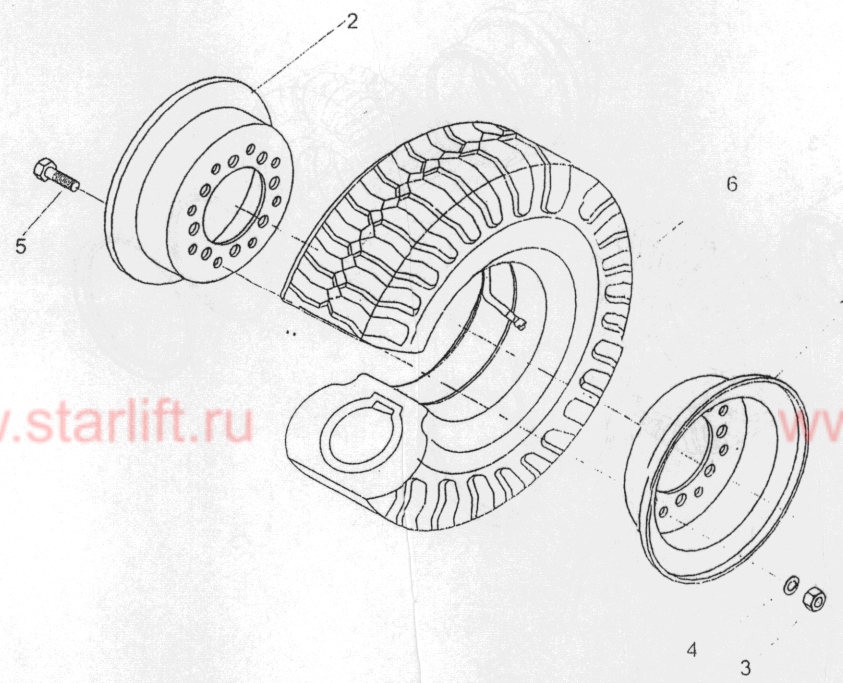
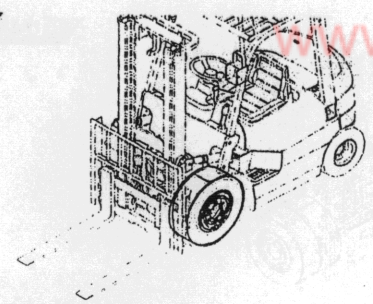


CPC, CPCD20,25,30,35
CPQ, CPQD20,25,30,35

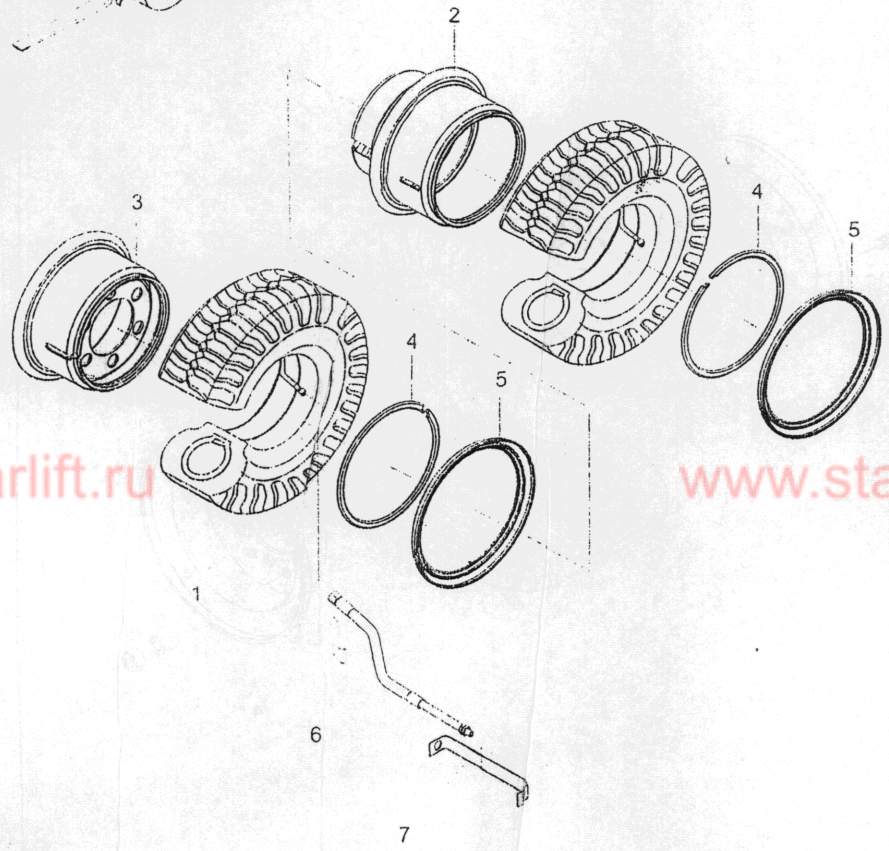
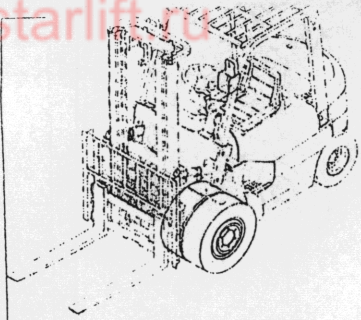
序号 Item No	图号 Part No	零部件名称 Description	件数 Qty	备注 Remark
23	24354-32311	Nut	锥螺母	12 21.2.5t 单胎Single tire
-	23913-02041	Nut	球螺母	12 31.3.5t 单胎Single tire
24	REF000560	Wheel brake	制动器总成	2 2-2.5t see Fig.81
-	REF000567	Wheel brake	制动器总成	2 31.3.5t see Fig.82
25	24463-00050G	Nut, hub	柱螺母	12 31.3.5t 双胎Double tire
-	24463-00050G2	Nut, hub	柱螺母	12 21.2.5t 双胎Double tire
26	24463-00060G	Nut, hub	双胎球螺母	12 31.3.5t 双胎Double tire
-	24463-00060G2	Nut, hub	双胎球螺母	12 21.2.5t 双胎Double tire
27	24463-00040G	Bolt, hub	双胎螺栓柱	12 31.3.5t 双胎Double tire
-	24353-72001G2	Bolt, hub	双胎螺栓柱	12 21.2.5t 双胎Double tire
28	HRH24C3006 H24C3-02061	Fender	挡板(左)	1 21.2.5t 双胎Double tire
-	HRH24C3006 H24C3-02081	Fender	挡板(左)	1 31.3.5t 双胎Double tire
29	B0320-10035	Bolt	螺栓M10X35	4 双胎Double tire GB5783-86
30	B5210-00010	Washer	垫圈10	8 双胎Double tire GB96-85
31	B5050-00010	Washer,lock	垫圈10	8 双胎Double tire GB93-87
32	B4116-00010	Nut	螺母M10	4 双胎Double tire GB6170-86
33	B0420-10020	Bolt	螺栓M10X1.25X20	4 双胎Double tire GB5785-86
34	HRH24C3006 H24C3-02071	Fender	挡板(右)	1 21.2.5t 双胎Double tire
-	HRH24C3006 H24C3-02091	Fender	挡板(右)	1 31.3.5t 双胎Double tire

图号 Part No	零件名称 Description	件数 Q'ty	备注 Remark
HRA20A4401	Front wheel	2	
01 23454-42091G	Rim, outside	2	
02 23454-42021G	Rim, inside	2	
03 B4123-00016	Nut	12	GB6170-86
04 B5050-00016	Washer, lock	12	GB93-87
05 23454-42101G	Bolt	12	
06 Z3004-70012	Tyre	2	GB/T 2982-2001
Z3200-70012	Solid tyre	2	GB10823-89

CPC/CPGD20,25
CPO/CPQD20,25



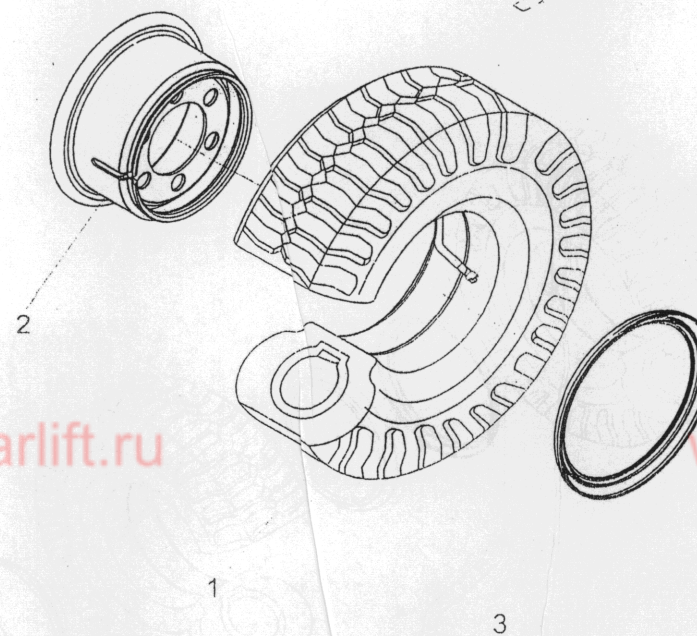
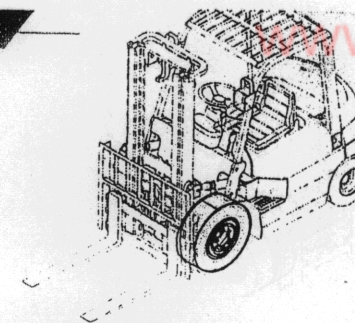
C

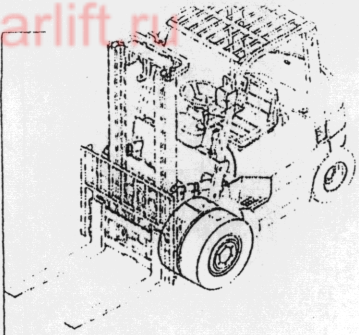


CPC, CPCD20, 25
CPQ, CPQD20, 25

序号 Item No	图号 Part No	零部名称 Description	件数 Q'ty	备注 Remark
01	Z3004-70012	Tyre 轮胎7.00-12-12PR	4	GB/T2982-2001
-	Z3200-70012	Solid tyre 实心轮胎7.00-12	4	GB10823-89
A	22493-02001G	Wheel rim ass'y(inc.2,4,5) 外轮辋总成	2	
B	22493-01000G2	Wheel rim ass'y(inc.3,4,5) 内轮辋总成	2	
02	22493-02100G2	Wheel rim 外轮辋体	2	
03	22493-01100G2	Wheel rim 内轮辋体	2	
04	22493-01010G2	Lock ring 锁圈	4	
05	22493-01020G2	Snap ring 挡圈	4	
06	25783-02240	Pipe 充气接管	2	
07	24493-04000G	Bracket 支架	2	左右对称各一 Left & right types

序号 Item No	图号 Part No	零件名称 Description	件数 Q'ty	备注 Remark
01	Z3014-90015	Tyre 轮胎28X9-15-12PR	2	GB/T2982-2001
	Z3300-90015	Solid tyre 实心轮胎28X9-15	2	GB10823-89
02	24454-40222G	Wheel rim ass'y(Inc.2,3) 轮辋总成	2	
02	24439-44032G	Wheel rim 轮辋体总成(7.00T-15)	2	
03	24454-42002G	Snap ring 挡圈(7.00T-15)	2	





CPC, CPCD30,35
CPQ, CPQD30,35

序号
Item
No

图号
Part No

零部件名称
Description

件数
Q'ty

备注
Remark

01	Z3104-90015	Tyre	轮胎28X9-15-12PR	4	GB/T2982-2001
-	Z3300-90015	Solid tyre	实心轮胎28X9-15	4	GB10823-89
A	24454-40222G	Wheel rim ass y(Inc.2,4)	轮辋总成	2	
B	54456-80221G	Wheel rim ass y(Inc.3,4)	双胎轮辋总成	2	
02	24439-44032G	Wheel rim	轮辋体总成(7.00T-15)	2	
03	24463-01000G	Wheel rim	轮辋总成(7.00T-15)	2	
04	24454-42002G	Snap ring	挡圈(7.00T-15)	4	
05	25783-02240	Pipe	充气接管	2	
06	24493-04000G	Bracket	支架	2	左右对称各一 Left & right types

