

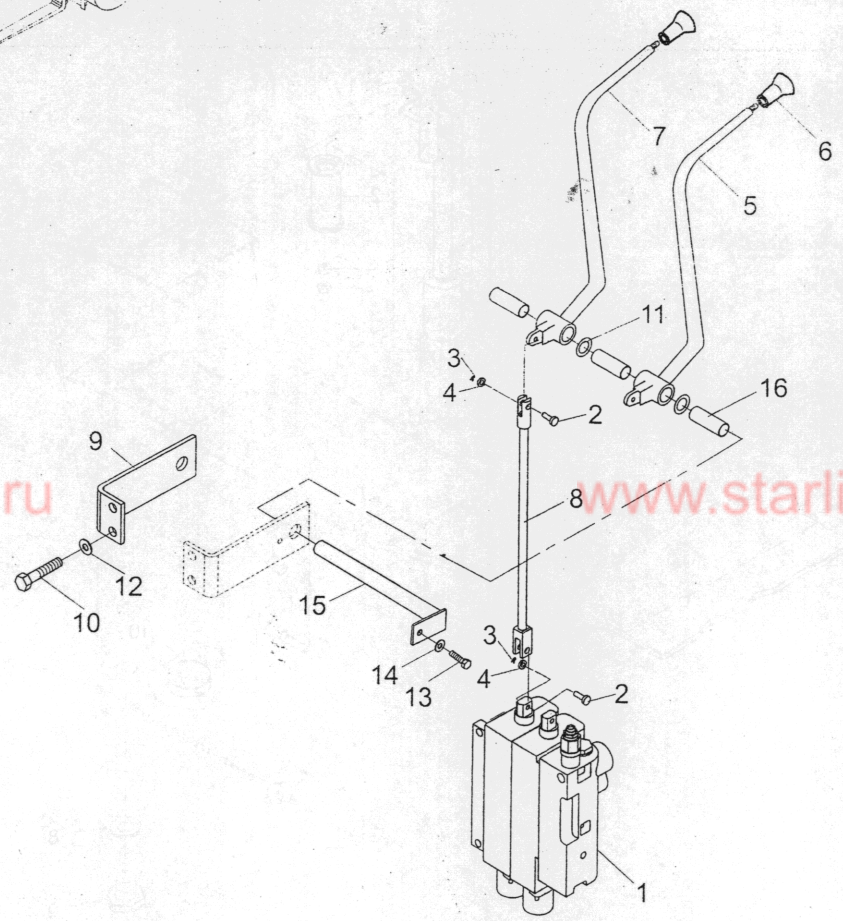
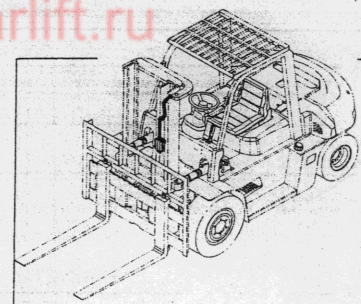
G2

阀操纵 (二片) / VALVE CONTROL LINKAGE (TWO-THROW)

图57/FIG57

图5

CPCD80,100



序号 Item No	图号 Part No	零部件名称 Description	件数 Q'ty	备注 Remark	序号 Item No	
01	25907-30201G	Control valve	多路阀	1	01	
02	B3220-08026	Pin, clevis	销B8X26	4	GB882-86	02
03	B3010-3P216	Pin, cotter	销3. 2X16	4	GB91-86	03
04	B5310-00008	Washer	垫圈8	4	GB97.1-85	04
05	HRH43E7402 H43E7-40111	Lever, lift	升降阀杆	1		05
06	HRA22A7406	Knob, lever	手柄	2		06
07	HRH43E7402 H43E7-40121	Lever, tilt	倾斜阀杆	1		07
08	24357-42131	Rod	拉杆	2		08
09	H43E7-40601	Plate	弯板	1		09
10	B0330-10025	Bolt	螺栓M10X25	2	GB5783-86	10
11	23917-42191G	Shim	垫片	2		11
12	B5050-00010	Washer, lock	垫圈10	2	GB93-87	12
13	B0330-06012	Bolt	螺栓M6X12	1	GB5783-86	13
14	B5050-00006	Washer, lock	垫圈6	1	GB93-87	14
15	REF336659	Shaft, lever	连杆轴	1		15
16	23917-42161	Spacer	套	3		16

G

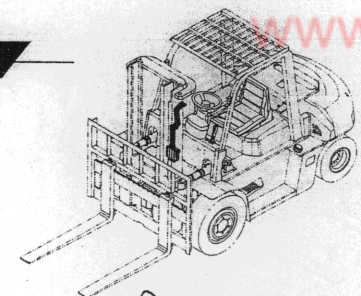
FIG57

图58/FIG58

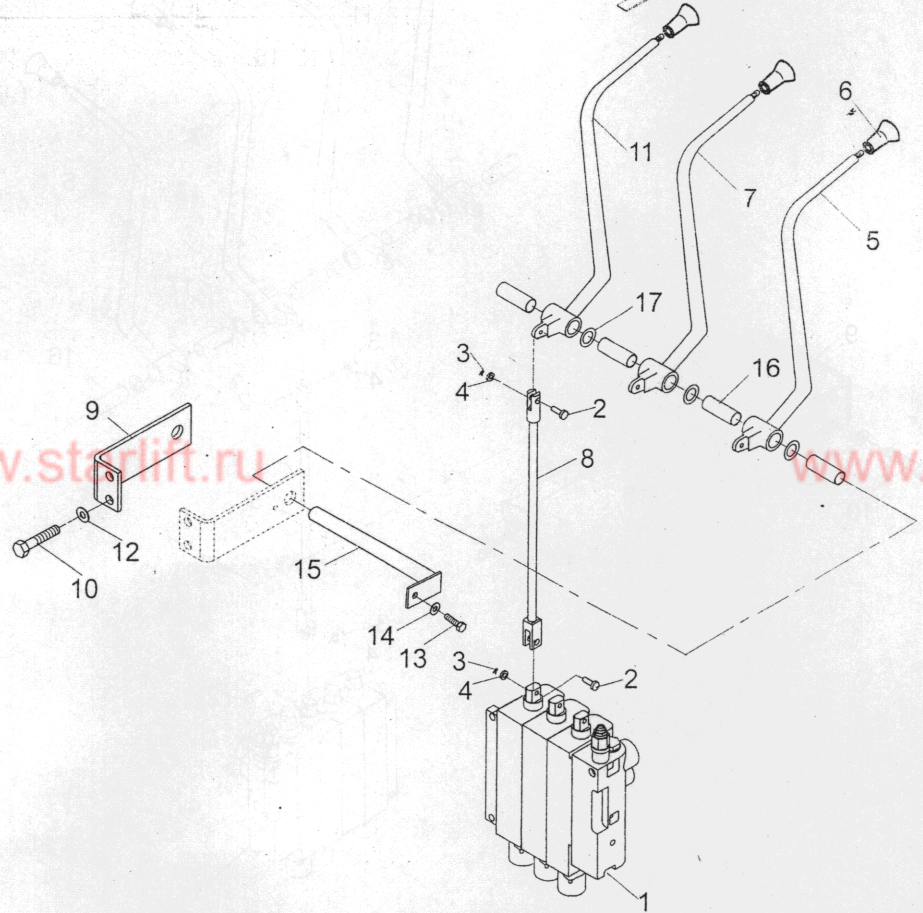
阀操纵 (三片) / VALE CONTROL LINKAGE (THREE-THROW)

G3

CPCD80,100



注 mark	序号 Item No	图号 Part No	零部件名称 Description	件数 Q'ty	备注 Remark
	01	25907-30301G	Control valve	多路阀 1	三片阀
82-86	02	B3220-08026	Pin, clevis	销B8X26 6	GB882-86
11-86	03	B3010-3P216	Pin, cotter	销3.2X16 6	GB91-86
1-1-85	04	B5310-00008	Washer	垫圈8 6	GB97.1-85
	05	HRH43E7402 H43E7-40111	Lever, lift	升降阀杆 1	
	06	HRA22A7406	Knob, lever	手柄 3	
	07	HRH43E7402 H43E7-40121	Lever, tilt	倾斜阀杆 1	
	08	24357-42131	Rod	拉杆 3	
	09	H43E7-40601	Plate	弯板 1	
3-86	10	B0330-10025	Bolt	螺栓M10X25 2	GB5783-86
	11	HRH43E7402 H43E7-40131	Control, lever	第三片阀杆 1	
-87	12	B5050-00010	Washer, lock	垫圈10 2	GB93-87
3-86	13	B0330-06012	Bolt	螺栓M6X12 1	GB5783-86
87	14	B5050-00006	Washer, lock	垫圈6 1	GB93-87
	15	REF336659	Shaft, lever	连杆轴 1	
	16	23917-42161	Spacer	套 4	
	17	23917-42191G	Shim	垫片 3	



G

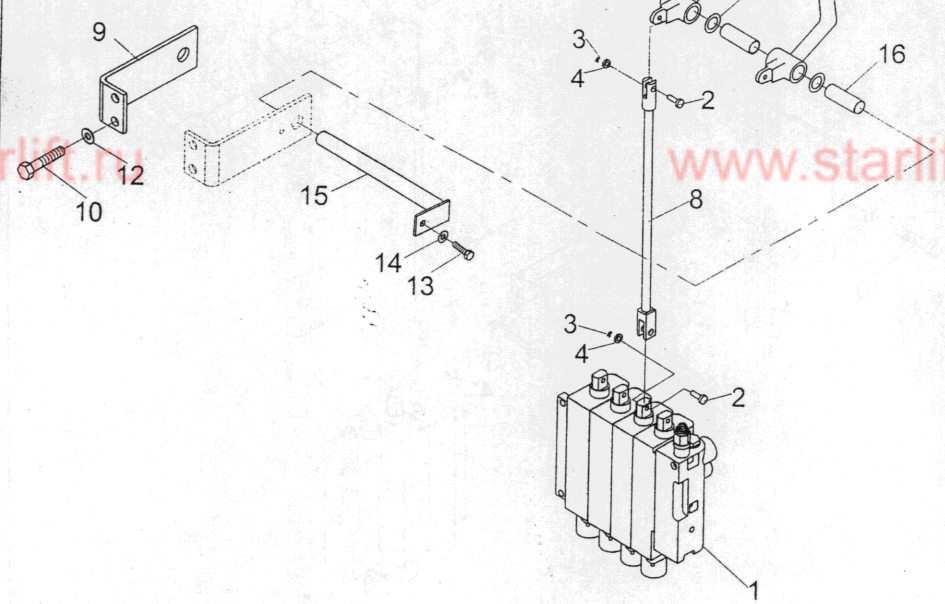
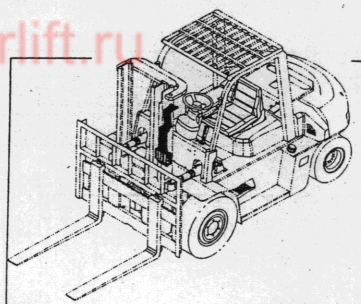


G4

阀操纵 (四片) / VALVE CONTROL LINKAGE (FOUR-THROW)

图59/F1G59

图6



CPCD80,100

序号 Item No	图号 Part No	零部件名称 Description	件数 Q'ty	备注 Remark
01	25907-30401G	Control valve	多路阀 1	四片阀
02	B3220-08026	Pin, clevis	销B8X26 8	GB882-86
03	B3010-3P216	Pin, cotter	销3. 2X16 8	GB91-86
04	B5310-00008	Washer	垫圈8 8	GB97.1-85
05	HRH43E7402 H43E7-40111	Lever, lift	升降阀杆 1	
06	HRA22A7406	Knob, lever	手柄 4	
07	HRH43E7402 H43E7-40121	Lever, tilt	倾斜阀杆 1	
08	24357-42131	Rod	拉杆 4	
09	H43E7-40601	Plate	弯板 1	
10	B0330-10025	Bolt	螺栓M10X25 2	GB5783-86
11	HRH43E7402 H43E7-40141	Control, lever	第四片阀杆 1	
12	B5050-00010	Washer, lock	垫圈10 2	GB93-87
13	B0330-06012	Bolt	螺栓M6X12 1	GB5783-86
14	B5050-00006	Washer, lock	垫圈6 1	GB93-87
15	REF336659	Shaft, lever	连杆轴 1	
16	23917-42161	Spacer	套 5	
17	23917-42191G	Shim	垫片 4	
18	HRH43E7402 H43E7-40131	Control, lever	第三片阀杆 1	

序号
Item No

A

-

-

01

02

03

-

04

05

06

07

08

09

10

11

12

13

14

15

16

17

18

19

20

21

22

23

24

25

26

G

78

HELI