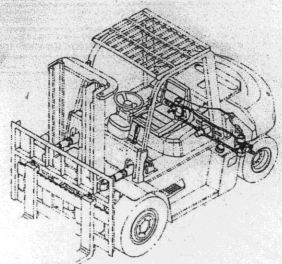


图44/FIG44

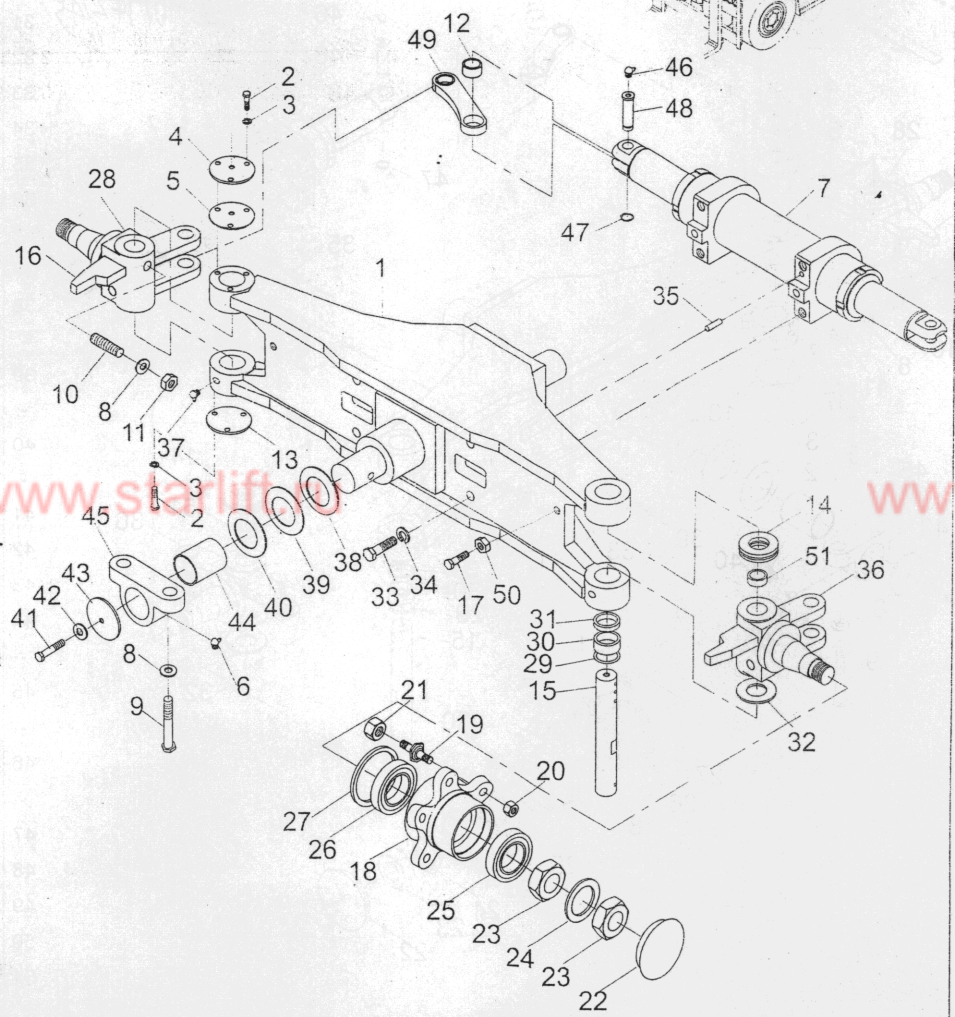
转向桥/STEERING AXLE

D2

CPCD80,100



序号 Item No	图号 Part No	零部件名称 Description	件数 Q'ty	备注 Remark
A	25804-40001	Axle ass'y	转向桥总成	1 8t
-	A00J4-10001	Axle ass'y	转向桥总成	1 10t
01	A43E4-30201	Axle	转向桥体	1 8t
-	55902-40101	Axle	转向桥体	1 10t
02	B0330-08016	Bolt	螺栓M8X16	12 GB5783-86
03	B5050-00008	Washer, lock	垫圈8	12 GB93-87
04	25784-32411	Cap, hub	主销盖	2
05	25784-32421	Washer	密封垫片	2
06	Q701B45	Fitting, grease	弯颈式滑脂嘴	4 ZBT33001.2-88
07	A43E4-50201	Power cylinder	转向油缸	1 See fig.46 8t
-	A00J4-50201	Power cylinder	转向油缸	1 See fig.46 10t
08	B5050-00016	Washer, lock	垫圈16	10 GB93-87
09	B0430-16080	Bolt	螺栓M16X1.5X80	8 GB5785-86
10	B8530-16050	Screw	螺钉M16X50	2 GB78-85
11	B4313-00016	Nut	螺母M16	2 GB6172-86
12	Z-GE30ES	Bearing	轴承GE30ES	4 GB9163-90
13	A43E4-32071	Nut	主销下盖	2 8t
14	198911	Bearing	平轴轴止推轴承	2 8t
-		Bearing	止推轴承8212	2 GB301-89 10t
15	A43E4-30251	Pin, king	转向节主销	2 8t
16	A43E4-32041	Board	限位板	2 8t
17	B0430-14050	Pin, cotter	螺栓M14X1.5X50	2 GB5785-86 8t
18	25804-32291	Hub	轮毂	2
19	24354-42301	Bolt, hub	轮毂螺栓	12
20	25784-42121	Nut, hub	轮毂螺母	12
21	B4216-00020	Nut	螺母M20X1.5	12 GB6171-86
22	22654-32281	Cap, hub	轮毂盖	2
23	B4832-00055	Nut	螺母M55X2	4 GB812-88
24	B5512-00055	Washer	垫圈55	2 GB858-88
25	Z-32211	Bearing	轴承32211	2 GB/T297-94
26	Z-32215	Bearing	轴承32215	2 GB/T297-94
27	Z6301-09534	U-ring	U型密封圈B95X130X12D	2 GB9877.1-88
28	A43E4-30221	Knuckle, R.H. Ass'y	右转向节总成	1 8t



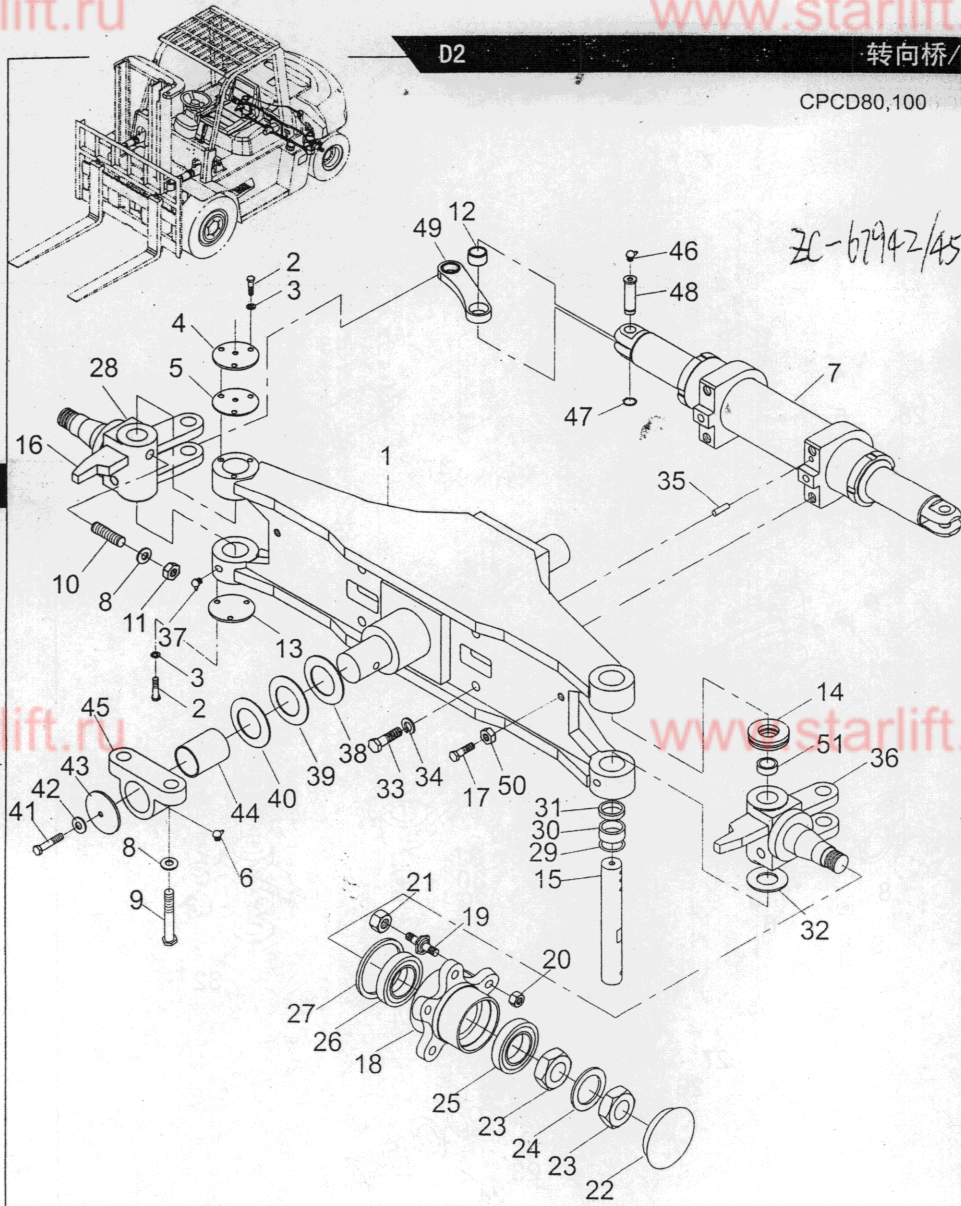
D

h2000

D2

转向桥/STEERING AXLE

图44/FIG44



CPCD80,100

序号
Item
No

图号
Part No

零部件名称
Description

件数
Q'ty

备注
Remark

序号 Item No	图号 Part No	零部件名称 Description	件数 Q'ty	备注 Remark
28	A00J4-30501	Knuckle, R.H. Ass'y 右转向节总成	1	10t
29	25784-32111	Seal, oil 5-10 T 通用 油封	4	
30	Fy45X55X24	Bearing, needle 滚针轴承	8	
31	25784-32151	Spacer 隔套 (转向桥用) 隔套	2	
32	25784-32161	Shim 调整垫	2	
33	B0530-20055	Bolt 螺栓M20X1.5X55	4	GB5786-86
34	B5050-00020	Washer, lock 垫圈20	4	GB93-87
35	B3120-16032	Pin 销B16X32	2	GB119-76
36	A43E4-30211	Knuckle, L.H.ass'y 左转向节总成	1	8t
-	A00J4-30601	Knuckle, L.H.ass'y 左转向节总成	1	10t
37	Q700B01	Fitting, grease 直通式滑脂嘴	2	ZBT33001.1-88
38	25784-32371	Shim 调整垫	2	8t
-	25904-32141	Shim 调整垫	2	10t
39	25784-32381	Shim 调整垫	2	8t
-	25904-32151	Shim 调整垫	2	10t
40	25784-32391	Shim 调整垫	2	8t
-	25904-32161	Shim 调整垫	2	10t
41	B0530-12025	Bolt 螺栓M12X1.5X25	2	GB5786-86
42	B5050-00012	Washer, lock 垫圈12	2	GB93-87
43	22654-32271	Plate 轴端挡板	2	
44	25786-13141	Bushing 衬套 6540	4	8t
-	25906-12581	Bushing 钢背衬套	4	10t
45	25786-13132	Bracket 转向桥座	2	8t
-	25906-12571	Bracket 转向桥座	2	10t
46	Q700B06	Fitting, grease 直通式滑脂嘴M6	4	ZBT33001.1-88 8t
-	Z2513-00610	Fitting, grease 油杯M6	4	GB1153-89 10t
47	B6150-00030	Snap ring 挡圈30	2	GB894.1-86
48	A43E4-30241	Pin 连杆销	4	
49	A43E4-30231	Link 连杆	2	
50	B4223-00014	Nut 螺母M14X1.5	2	GB6171-86 8t
51	25904-32041	Bushing 衬套	2	10t

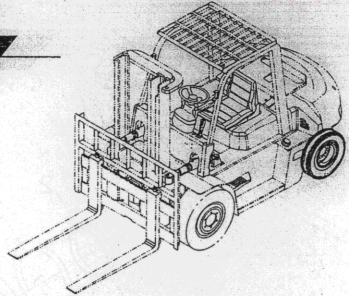
D

G44

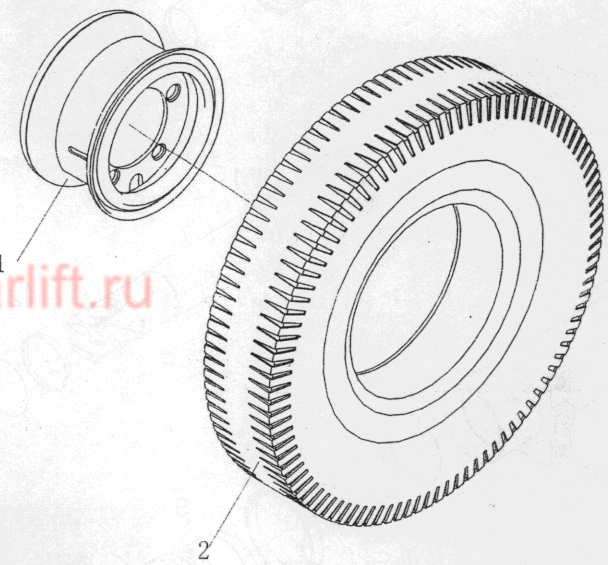
图45/F1G45

转向轮/STEERING WHEEL

D3



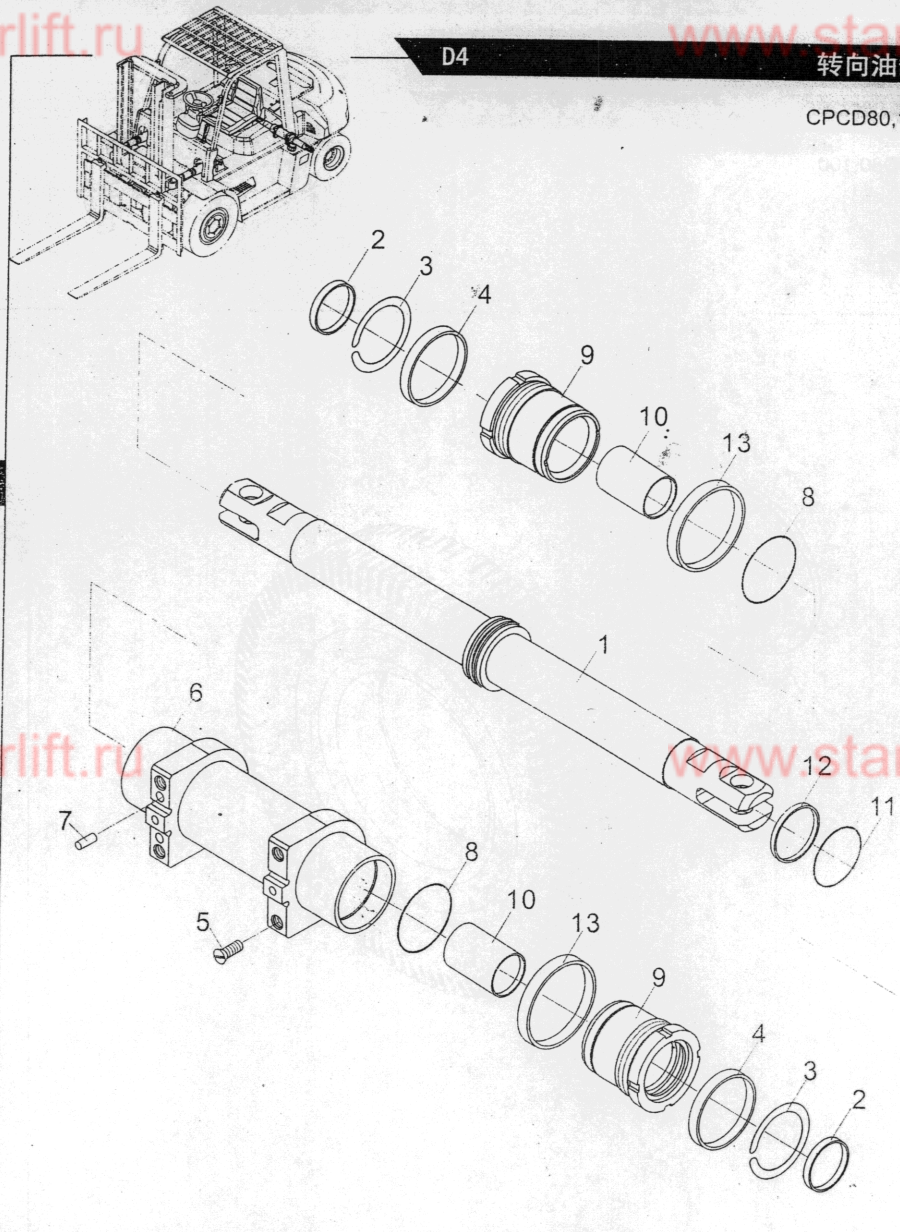
主 rk	序号 Item No	图号 Part No	零部件名称 Description	件数 Q'ty	备注 Remark	CPCD80,100
	01	25904-40502	Rim	2	轮辋	
	02	Z3005-90020	Tire	2	轮胎9.00-20-14PR GB/T2982-2001	



D

16-86
3-87
9-76
t
3t
101.1-88
1t
0t
3t
0t
8t
10t
786-86
93-87
8t
10t
8t
10t
3091.1-88
8t
153-89 10t
894.1-86
171-86 8t
10t





D4

转向油缸/STEERING CYLINDER

图46/FIG46

图4

序号 Item No	图号 Part No	零部件名称 Description	件数 Q'ty	备注 Remark	序号 Item No
A	A43E4-50201	Power cylinder	1	转向油缸	A
-	A00J4-50201	Power cylinder	1	转向油缸	-
01	A43E4-50401	Piston rod ass y	1	活塞体总成	01
-	A00J4-50501	Piston rod ass y	1	活塞杆总成	02
02	REF339093 24450-82231	Dust ring	2	防尘圈d85	03
03	25908-42471	Ring, snap	2	挡片85X100X3	04
04	REF340213 24450-82241	Ring	2	密封圈d85	05
05	CPT3-81-011	Bolt	2	堵头M16X1.5X16	06
-	B0530-16035	Bolt	2	螺栓M16X1.5X35	07
06	A43E4-50301	Body, power steering	1	缸筒体	08
-	A00J4-50301G	Body, power steering	1	缸筒体	09
07	E5784-12551	Pin	2	紧固销	10
08	Z6004-11503	O-ring	2	O型圈115X3.1	11
09	E5784-12561	Guide	2	导向套	12
10	Z2134-08580	Bushing	2	钢背轴承8580	13
11	Z6004-11005	O-ring	1	O型圈110X5.7	14
12	E5784-12571	Seal, slipper	1	支承环	15
13	E5784-12601	Seal, slipper	2	导向套支承环	16
					17
					18
					19
					20
					21
					22
					23
					24

D

60

HELI