

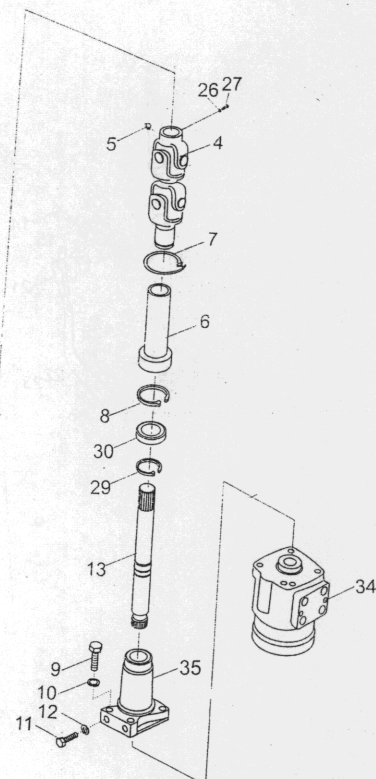
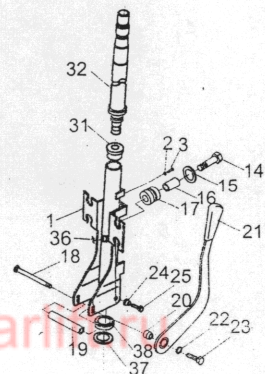
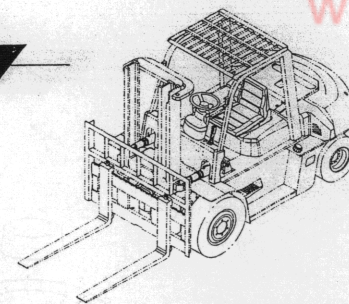
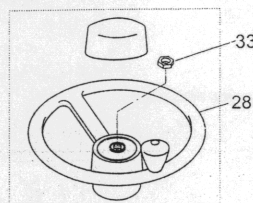
图43/FIG43

转向系统/STEERING SYSTEM

D1

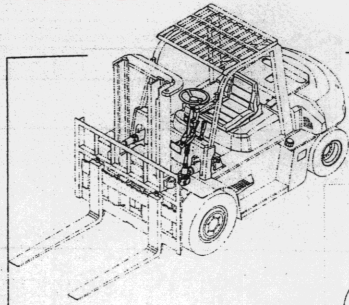
序号 Item No	图号 Part No	零部件名称 Description	备注 Remark
01	H24C4-10211	Column 转向管柱	1
02	B5310-00006	Washer 垫圈6	4 GB97.1-85
03	B1010-06012	Bolt 螺钉 M6 × 12	4 GB65-85
04	H43E4-10201	Joint ass'y 万向节总成	1
05	Z2500-01010	Fitting,grease 油杯 M10 × 1	1 GB1152-74
06	H24C4-02101	Boot 护套	1
07	ZD-04015	Band 捆扎带 ZD4X150	1
08	B6050-00037	Snap ring 弹簧挡圈37	1 GB893.1-86
09	B0230-10045	Bolt 螺栓 M10 × 45	4 GB5782-86
10	B5050-00010	Washer, lock 垫圈10	4 GB93-87
11	B0330-12025	Bolt 螺栓 M12 × 25	2 GB5783-86
12	B5050-00012	Washer, lock 垫圈12	2 GB93-87
13	H43E4-12001	Link 连接轴	1
14	B0230-06035	Bolt 螺栓 M6 × 35	4 GB5782-86
15	H24C4-12131	Washer 垫片	4
16	A22A4-12111	Spacer 套管	4
17	A22A4-12101	Rubber 橡胶套	4
18	H24C4-12151	Bolt (left) 螺栓(左旋)	1
19	H24C4-12161	Spacer 套管	1
20	H24C4-12171	Nut 螺母	1
21	H24C4-10501	Lever 手柄总成	1
22	B5210-00010	Washer 垫圈10	1 GB96-85
23	H24C4-12191	Bolt (left) 螺栓 M10 × 16(左旋)	1
24	H24C4-12211	Washer 垫圈	2
25	H24C4-12221	Bolt 螺栓	2
26	B5050-00008	Washer, lock 垫圈8	1 GB93-87
27	B0230-08035	Bolt 螺栓M8X35	1 GB5782-86
28	A22A4-11102	Handle shaft ass'y 方向盘总成	1
29	B6150-00020	Snap ring 挡圈20	1 GB894.1-86
30	Z-61904-2Z	Bearing 轴承 61904-2Z	1 GB/T276-94

CPCD80,100



D





D1

转向系统/STEERING SYSTEM

图43/FIG43

CPCD80,100

序号
Item No

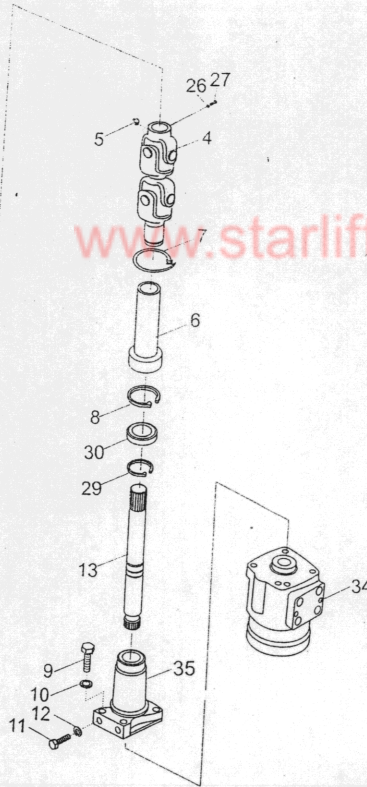
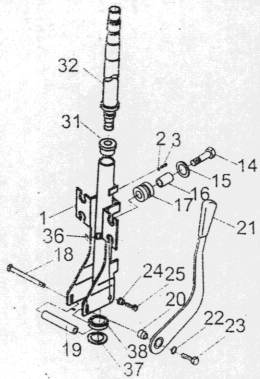
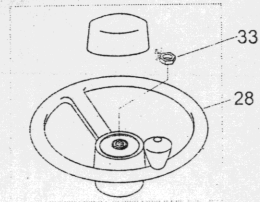
图号
Part No

零部件名称
Description

件数
Q'ty

备注
Remark

31	A22A2-46001	Spacer ass'y	上衬套总成	1	
32	A73J4-12052	Shaft	转向轴	1	
33	B4423-00016	Nut	螺母M16X1.5	1	GB6173-865
34	H43E4-10301	Orbitrol	摆线全液压转向器280ml/r	1	
35	H24C4-12121	Flange	连接法兰	1	
36	A01D4-12021	Grommet	喇叭线套	1	
37	B6152-00020	Snap ring	挡圈20	1	GB894.1-86
38	Z-61904-Z	Bearing	轴承61904-Z	1	GB/T276-94



D

图44

序号 Item No	
A	2
-	A
01	A
-	5
02	B
03	B
04	2
05	2
06	
07	A
-	A
08	B
09	B
10	B
11	B
12	:
13	A
14	
15	A
16	A
17	B
18	-2
19	2
20	2
21	B
22	2
23	B
24	B
25	
26	
27	Z
28	A