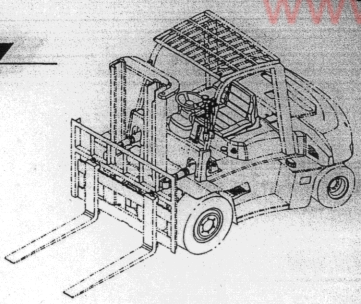
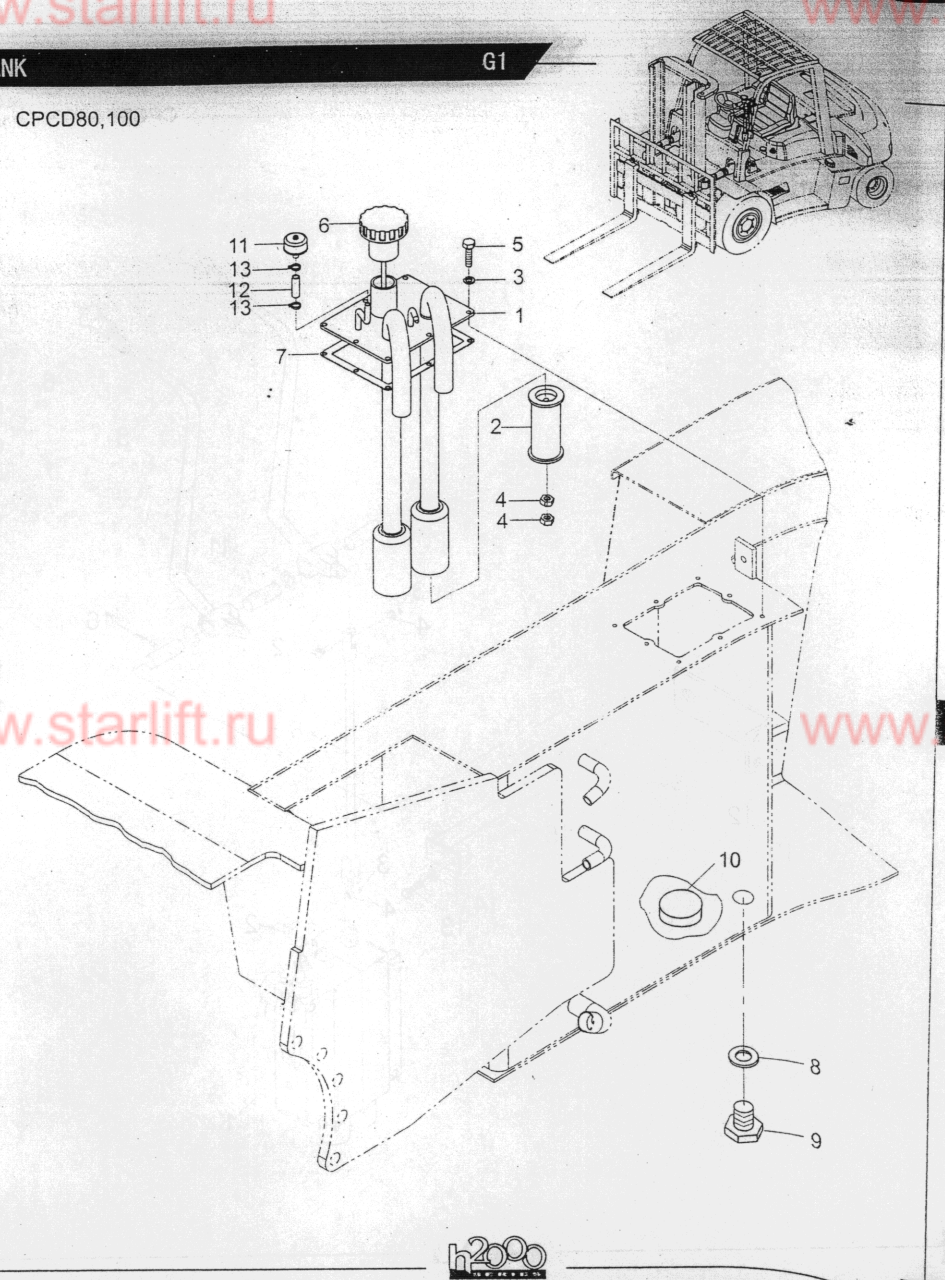


FIG55

图56/F1G56

液压油箱/OIL TANK

G1



注 mark	序号 Item No	图号 Part No	零部件名称 Description	件数 Q'ty	备注 Remark	CPCD80,100
1,100-W5, .WX	01	H43E7-60511	Pipe ass'y,suction	1	CPCD80,100-W5 _C3,CU	吸油管总成
		H05H7-60211	Oil tank cover	1	CPCD80,100-WX	油箱盖板
1,100-W5, .WX	02	23457-52221	Filter oil	2		滤油芯
1,100-CU	03	B5050-00008	Washer,lock	8	GB93-87	垫圈8
1,100-W5, .WX	04	B4116-00008	Nut	4	GB6170-86	螺母M8
	05	B0330-08020	Bolt	8	GB5783-86	螺栓M8X20
	06	H43E7-64001	Oil cap ass'y	1		油盖
	07	H43E7-65001	Cover gasket	1		盖板垫
	08	Z6700-03027	Washer	1	JB982-77	组合垫圈30
	09	22197-52081	Plug,drain	1		放油螺塞
	10	G0176-10011	Magnet	3		磁铁∅68/∅37X14
	11	H24C7-50402	Breath setting	1		呼吸器
	12	Z7500-12005	Hose	1		胶管
	13	Z4710-00016	Clip	2	QC/T621-1997	钢带型弹性环箍∅16

