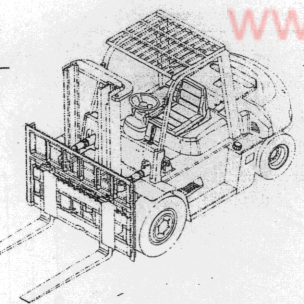


FIG61

图62/FIG62

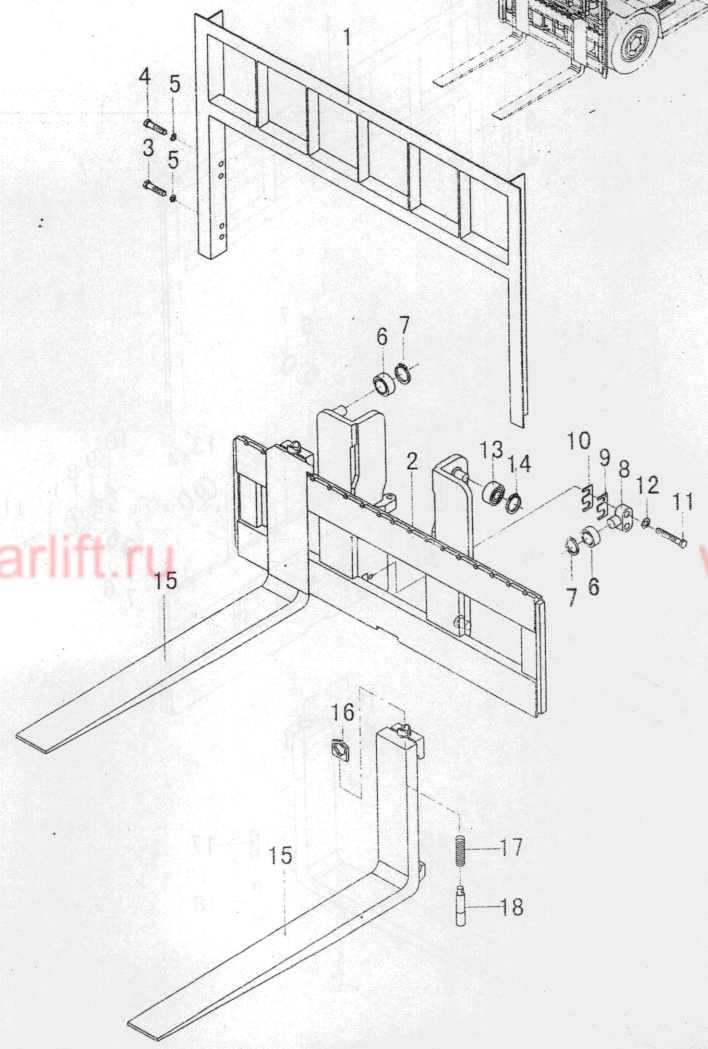
货叉及货叉架/FORK & LIFT BRACKET

H1



备注
REMARK

序号 Item No	图号 Part No	零部件名称 Description	件数 Q'ty	备注 Remark	CPCD80
01	HRD00H8109 D00H8-20321	Backrest	1	挡货架	
02	HRD00H8105 D00H8-20281	Lift bracket	1	货叉架	
03	B0530-14030	Bolt	4	螺栓M14X1.5X30	GB5786-86
04	B0530-14035	Bolt	4	螺栓M14X1.5X35	GB5786-86
05	B5050-00014	Washer,lock	8	垫圈14	GB93-87
06	23658-33001	Roller 180708	4	滚轮E109.5	
07	B6150-00040	Snap ring	4	挡圈40	GB894.1-86
08	D00H8-02001	Shaft	2	侧滚轮轴	
09	REF341450 25808-22241	Shim	4	调整垫片0.2	
10	REF341450 25808-22231	Shim	10	调整垫片1	
11	B0430-24080	Bolt	4	螺栓M24X2X80	GB5785-86
12	B5650-00024	Washer	4	垫圈24	GB7244-87
13	REF341329 25808-22201	End roller 1813	4	主滚轮Ø183.5	
14	B6150-00065	Snap ring	4	挡圈65	GB894.1-86
15	HRD00H8101	Fork ass'y(Inc.16-18)	2	货叉总成(包含16-18)	
16	D20B8-12031	Handle	2	把手	
17	D28B8-12231	Spring	2	弹簧	
18	D28B8-12241	Stopper	2	定位销	



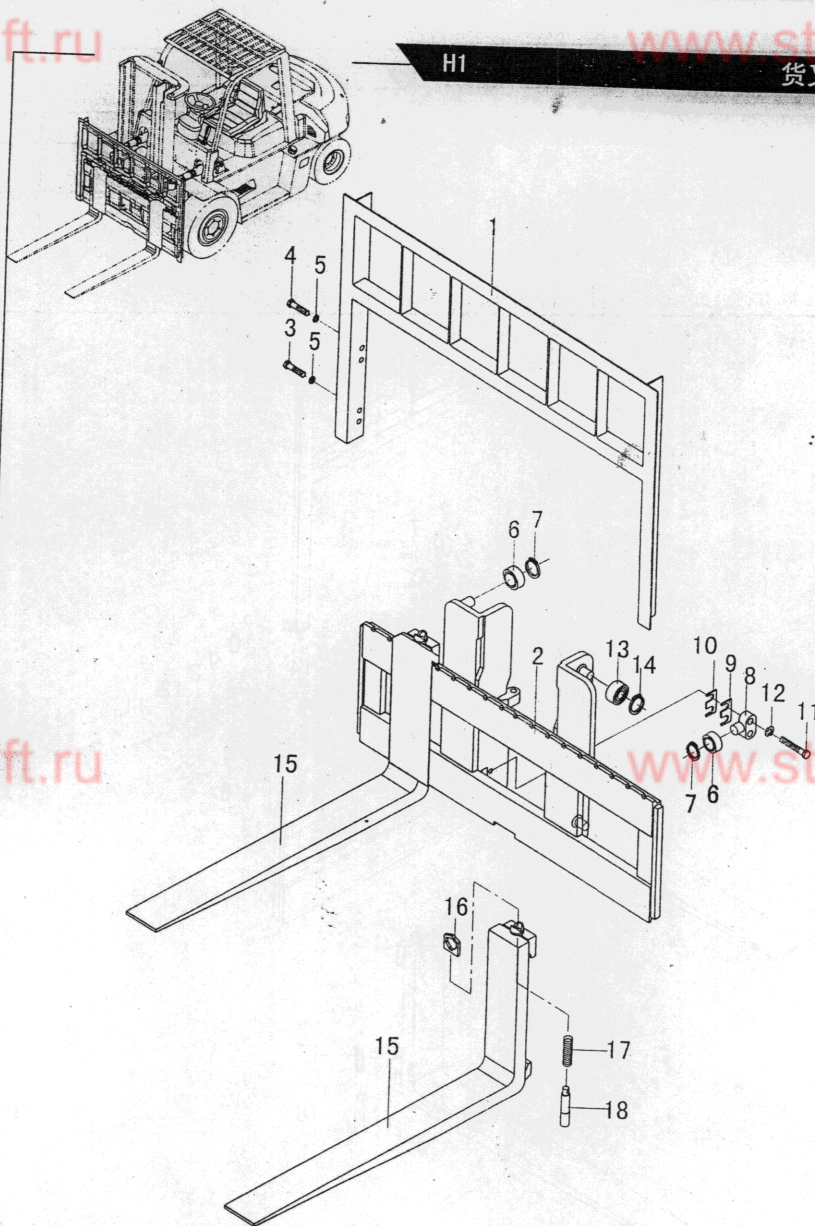
H1

货叉及货叉架/FORK & LIFT BRACKET

图62/FIG62

CPCD80

货叉选用件表(8t) Fork optional parts



型式 MODEL	货叉代号 FORK PART NO.	长度 LENGTH	备注 REMARK
LF122-580	HRD00H8101	1220	8t标准STD
LF137-580	D00H8-10301	1370	
LF152-580	-10321	1520	
LF167-580	-10331	1670	
LF182-580	-10341	1820	
LF197-580	-10351	1970	
LF212-580	-10361	2120	
LF227-580	-10371	2270	
LF242-580	-10381	2420	

序号
Item
No

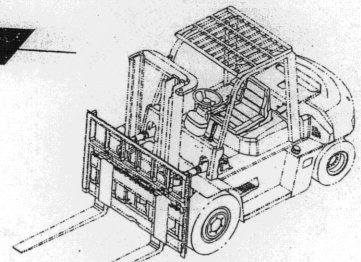
01 R
02 2
03 2
04 B
05 2
06 F
07 2
08 B
09 B
10 F
11 B
12 F

FIG62

图63/FIG63

货叉及货叉架/FORK & LIFT BRACKET

H2



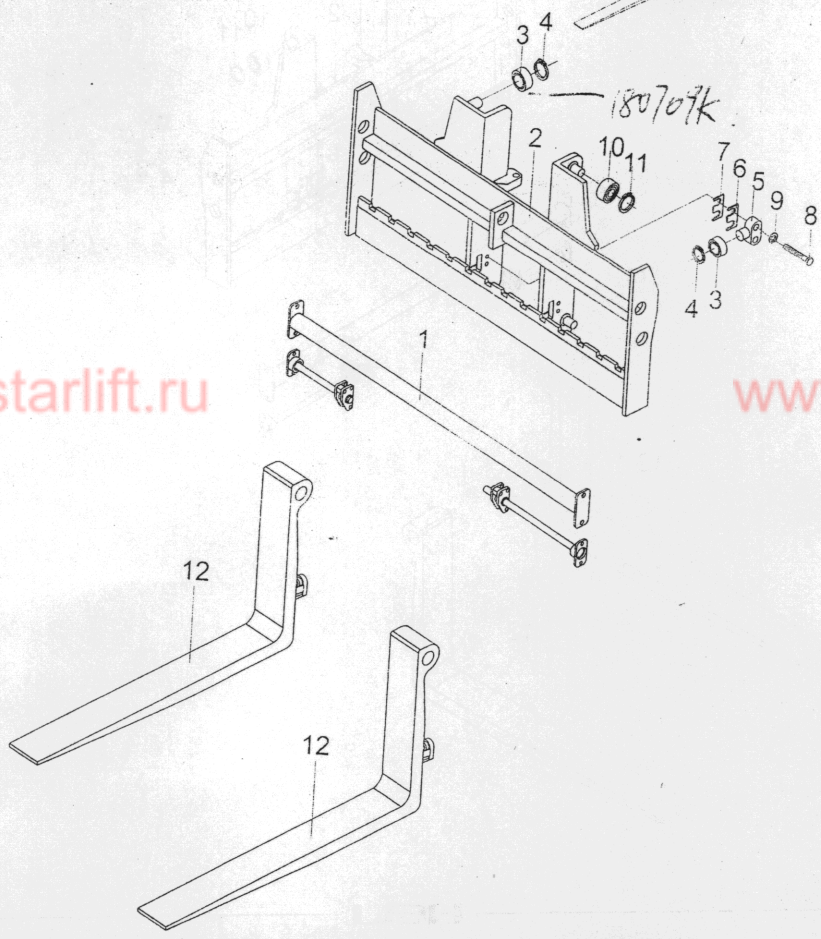
注
MARK

STD

序号 Item No	图号 Part No	零部件名称 Description	件数 Q'ty	备注 Remark
01	REF0008211 25908-20131	Screw adjusting unit	1	丝杆调节机构
02	25908-20003	Lift bracket	1	货叉架
03	23458-22101	Roller	4	滚轮
04	B6150-00045	Snap ring	4	挡圈
05	25908-22501	Shaft	4	侧滚轮轴 GB894.1-86
06	REF341450 25808-22241	Shim	2	调整垫片
07	REF341450 25808-22231	Shim	4	调整垫片0.2
08	B0430-24080	Bolt	10	螺栓M24X2X80
09	B5650-00024	Washer	4	垫圈
10	REF341329 25808-22201	End roller	6	主滚轮 \varnothing 183.5
11	B6150-00065	Snap ring	4	挡圈
12	REF106871	Fork ass'y	2	货叉总成

www.starlift.ru

www.starlift.ru



H

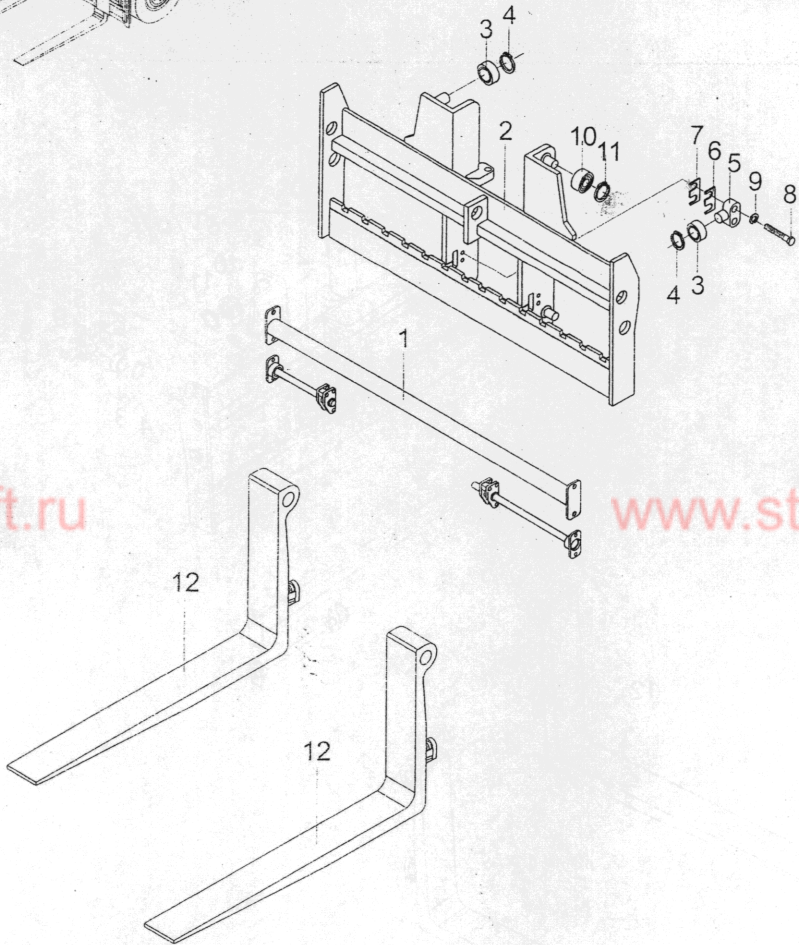
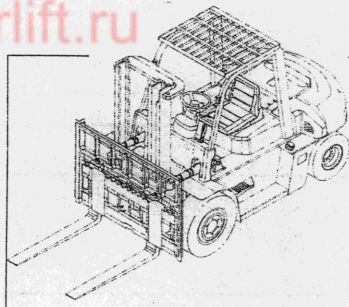
H2

货叉及货叉架/FORK & LIFT BRACKET

图63/FIG63

CPCD100

货叉选用件表(10t)Fork optional parts



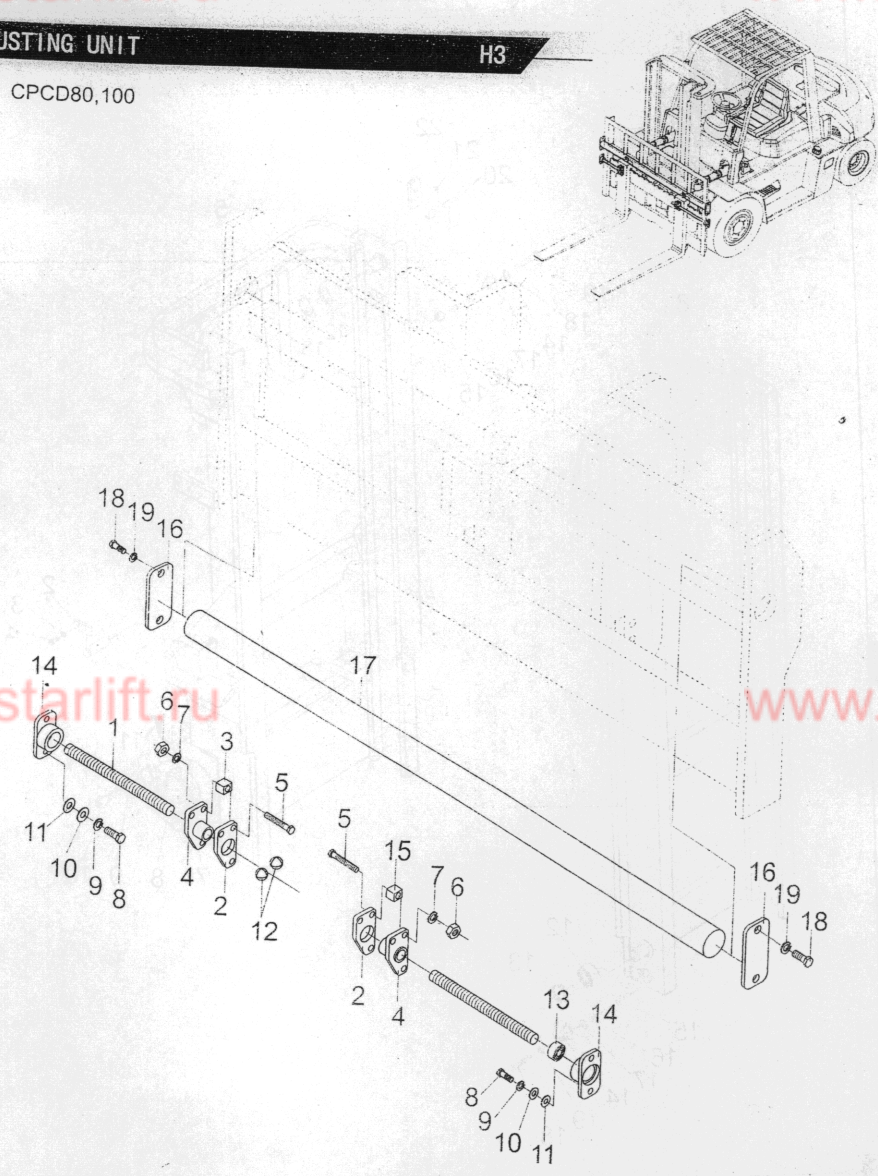
型式 MODEL	货叉总成代号 FORK PART NO.	长度 LENGTH	备注 REMARK
LF122-590	REF106871 25908-12003	1220	10t标准STD
LF137-590	-12013	1370	
LF152-590	-12023	1520	
LF167-590	-12033	1670	
LF182-590	-12043	1820	
LF197-590	-12053	1970	
LF212-590	-12063	2120	
LF227-590	-12073	2270	
LF244-590C	55901-54003	2440	

图64/F1664

丝杆调节机构/SCREW ADJUSTING UNIT

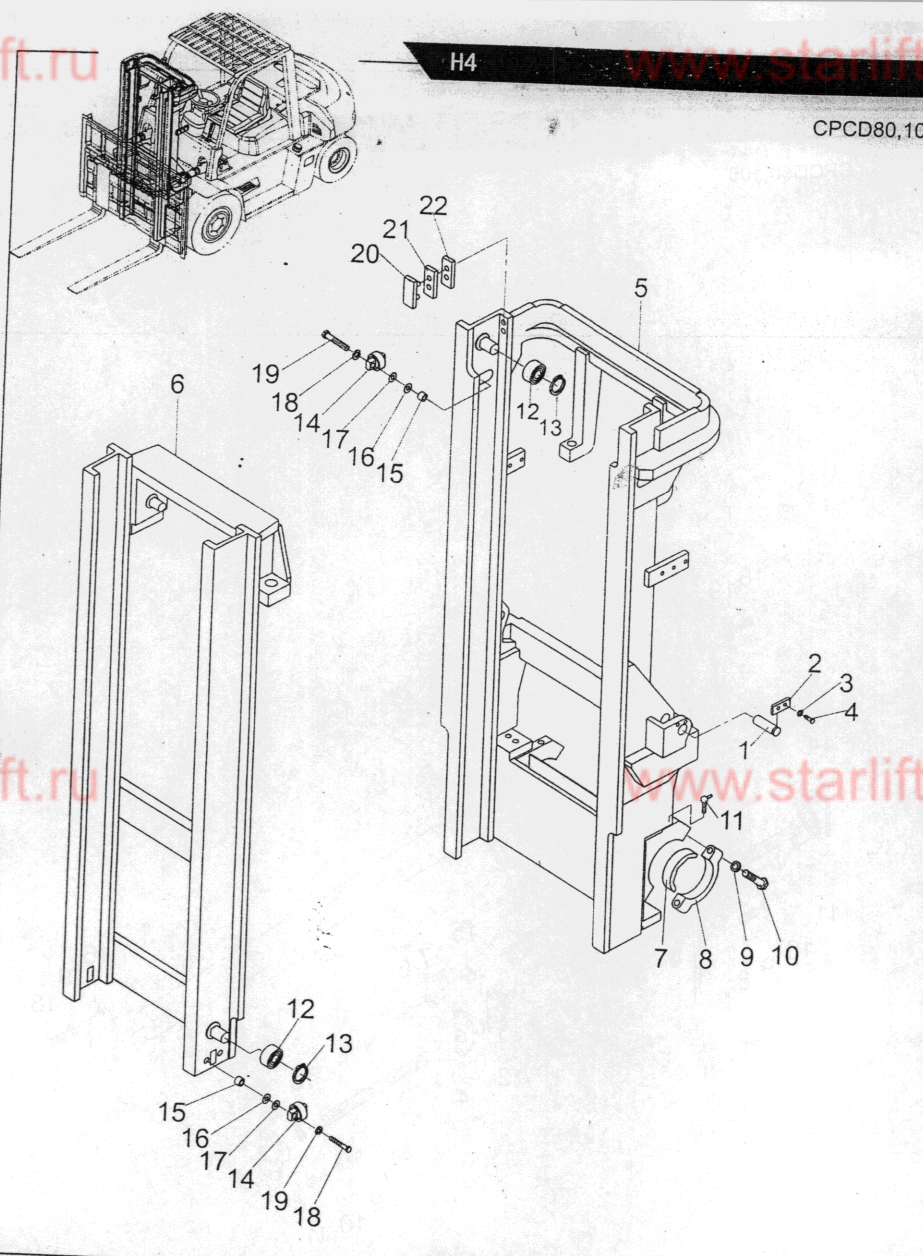
H3

序号 Item No	图号 Part No	零部件名称 Description	件数 Q'ty	备注 Remark
A	REF0008211 25908-20131	Screw adjusting unit	1	
01	REF0008212 25908-20011	Rod bolt	2	
02	25908-20021	Plate	2	
03	25908-20031	Spacer	2	
04	25908-20041	Nut	2	
05	B0430-14070	Bolt	6	GB5785-86
06	B4223-00014	Nut	6	GB6171-86
07	B5050-00014	Washer,lock	6	GB93-87
08	B0430-16060	Bolt	4	GB5785-86
09	B5050-00016	Washer,lock	4	GB93-87
10	B5410-00016	Washer	4	GB97.2-85
11	25908-20231	Shim	8	
12	Z1510-G0120	Ball	3	GB308-89
13	Z-180305K	Bearing	2	GB298-82
14	25908-20201	Plate	2	
15	25908-20241	Stopper	2	
16	25908-22301	Plate	2	
17	REF0008213 25908-22401	Axle	1	
18	B0430-16055	Bolt	4	GB5785-86
19	B5050-00016	Washer,lock	4	GB93-87



H





H4

门架/MAST

图65/FIG65

CPCD80,100

序号 Item No	图号 Part No	零部件名称 Description	件数 Q'ty	备注 Remark
A	HRD56J8001	Lifting system	1	起重系统总成 10t
-	HRD56H8001	Lifting system	1	起重系统总成 8t
01	25788-02021	Pin	2	倾斜缸销轴
02	23648-50161	Key	2	卡板
03	B5050-00010	Washer,lock	4	垫圈10 GB93-87
04	B0530-10020	Bolt	4	螺栓M10X1.25X20 GB5786-86
05	HRD56J8301	Outer mast	1	外门架总成 10t
-	HRD56H8301	Outer mast	1	外门架总成 8t
06	REF105537	Inner mast	1	内门架总成 10t
-	HRD00H8305	Inner mast	1	内门架总成 8t
07	25908-02201	Bushing	2	轴衬
08	25908-02211	Cap	2	支座盖
09	B5650-00024	Washer	2	垫圈24 GB7244-87
10	B0430-24130	Bolt	4	螺栓M24X2X130 GB5785-86
11	Q701B70	Grease port	6	弯颈式润脂嘴 ZBT33001.2-88
12	REF341329 25808-22201	End roller	4	主滚轮Ø183.5 10313
13	B6150-00065	Snap ring	4	挡圈65 GB894.1-86
14	22658-32941	Side roller	4	侧滚轮组 C6-10
15	23818-30071	Spacer	8	垫块
16	REF404140 22548-34051	Shim	10	调整垫片0.5
17	REF404140 22548-34061	Shim	10	调整垫片1
18	B0430-12055	Bolt	8	螺栓M12X1.25X55 10t GB5785-86
-	B0430-12050	Bolt	8	螺栓M12X1.25X50 8t GB5785-86
19	B5050-00012	Washer,lock	12	垫圈12 GB93-87
20	24319-43611	Slipper	2	限位滑块
21	24319-43621	Shim	6	垫片
22	24388-32941	Shim	2	垫片

H

90

HELI

图65/FIG65

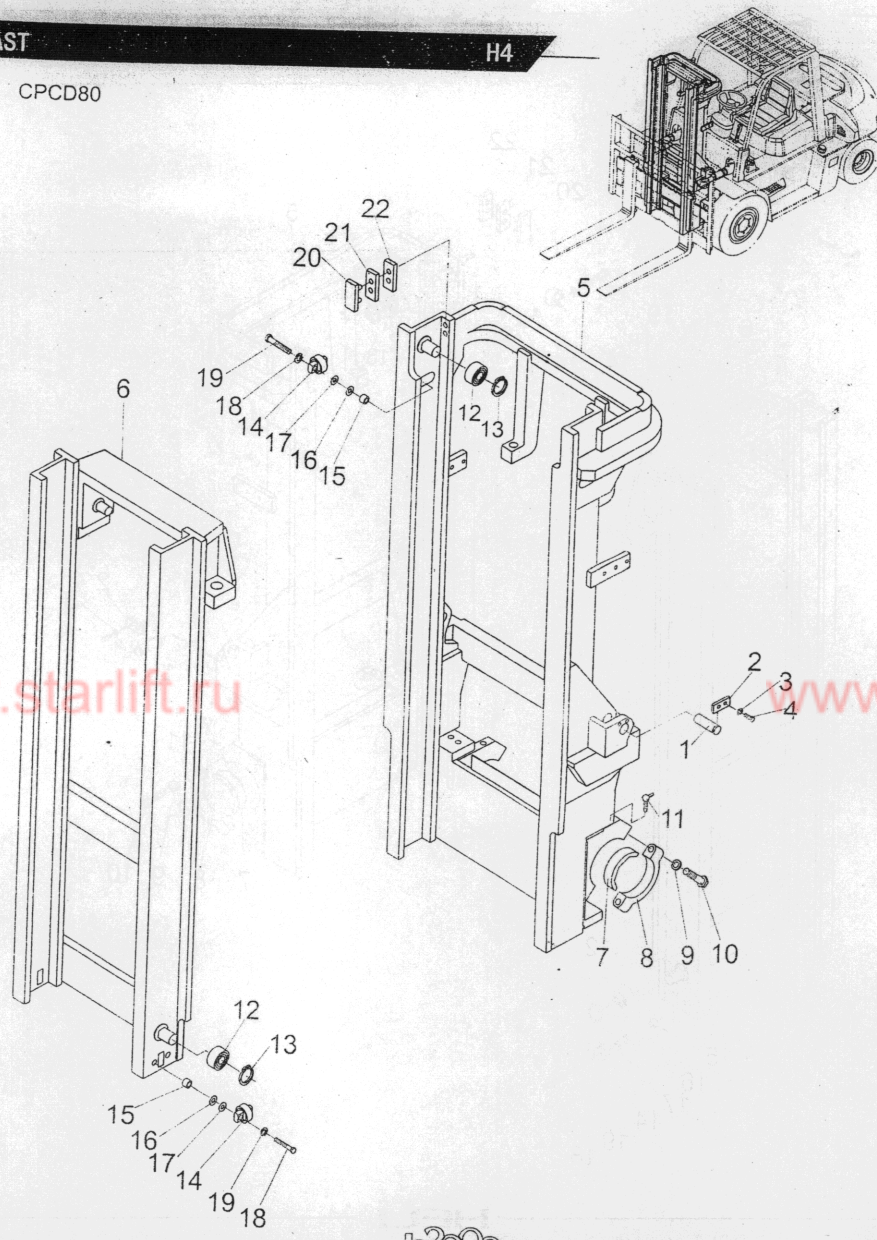
门架/MAST

H4

门架选用件表 (8t) Mast Optional Parts

CPCD80

起升高度 LIFTING HEIGHT	外门架总成 OUTER MAST	内门架总成 INNER MAST	备注 REMARK
M250	D56H8-30201	D00H8-30811	
270	-30211	-30821	
300	-30221	-30801	8t标准STD
330	-30231	-30831	
350	-30241	-30841	
375	-30251	-30851	
400	-30261	-30861	
425	-30271	-30871	
450	-30281	-30881	
475	-30291	-30891	
500	-30301	-30911	
550	-30311	-30921	
600	-30321	-30931	



H

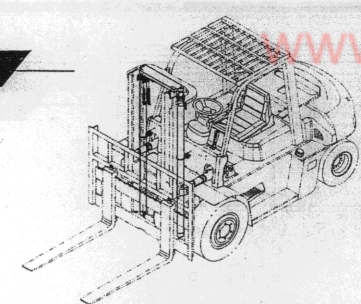
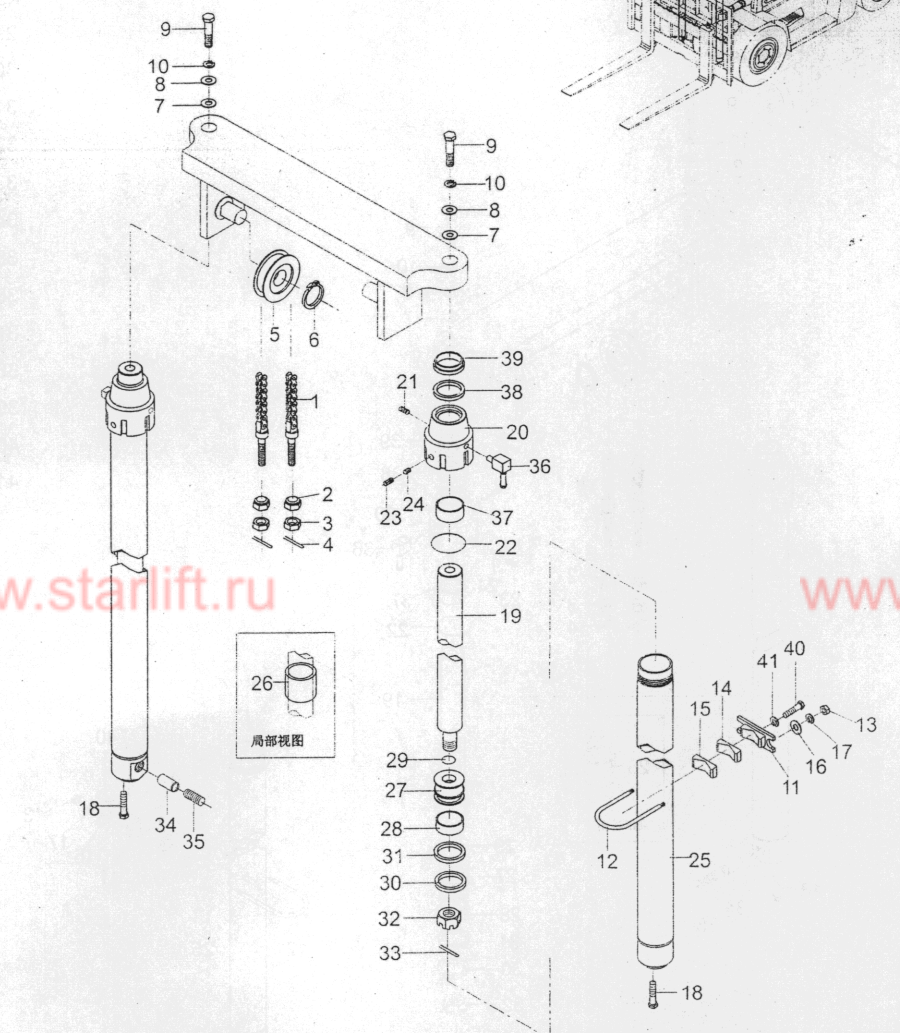


图66/F1G66

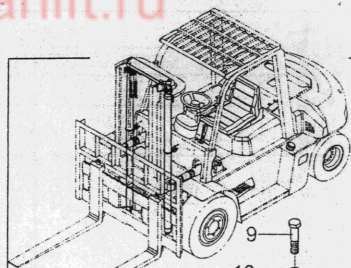
起升油缸总成/LIFT CYLINDER ASS'Y

H5

序号 Item No	图号 Part No	零部件名称 Description	件数 Q'ty	备注 Remark
A	HRD56H8401	Lift cylinder mount	2	起升油缸安装
01	HRLH2444011-N	Chain(Inc.2-4)	2	链条总成(节数见表: 零件2-4)
02	D00H8-42001	Nut	2	球形螺母
03	B4230-00027	Nut	2	螺母M27X2
04	B3010-04024	Pin	2	销4X24
05	D00H8-40551	Sheave	2	链轮总成
06	B6150-00070	Snap ring	2	挡圈70
07	27914-32051	Shim	2	调整垫片
08	27914-32061	Shim	2	调整垫片
09	B0530-30070	Bolt	2	螺栓M30X2X70
10	B5050-00030	Washer,lock	2	垫圈30
11	25788-42501	Support	2	油缸支撑块
12	25788-32851	U-bolt	2	U型螺栓
13	B4130-00012	Nut	4	螺母M12
14	25788-42531	Washer	4	垫片
15	25788-42551	Washer	4	垫片
16	B5410-00012	Washer	2	垫圈12
17	B5050-00012	Washer,lock	12	垫圈12
18	25788-42461	Bolt	2	螺栓
B	REF579145	Lift cylinder	2	起升油缸
19	REF579043	Rod,piston	2	活塞杆
20	25798-42211G	Cap	2	缸盖
21	Q/ZB285.3	Plug	2	螺塞ZG3/8"
22	Z6004-10003	O-ring	2	O形圈100X3.1
23	B1830-06008	Screw	4	螺钉M6X8
24	90662-63401G	Plug	4	塞子
25	REF579605	Cylinder,body	2	缸体
26	REF206926G	Sleeve,adjusted	2	调整套
27	25798-43101G	Piston	2	活塞
28	REF340369 73720-43208	Wearing	2	支承环

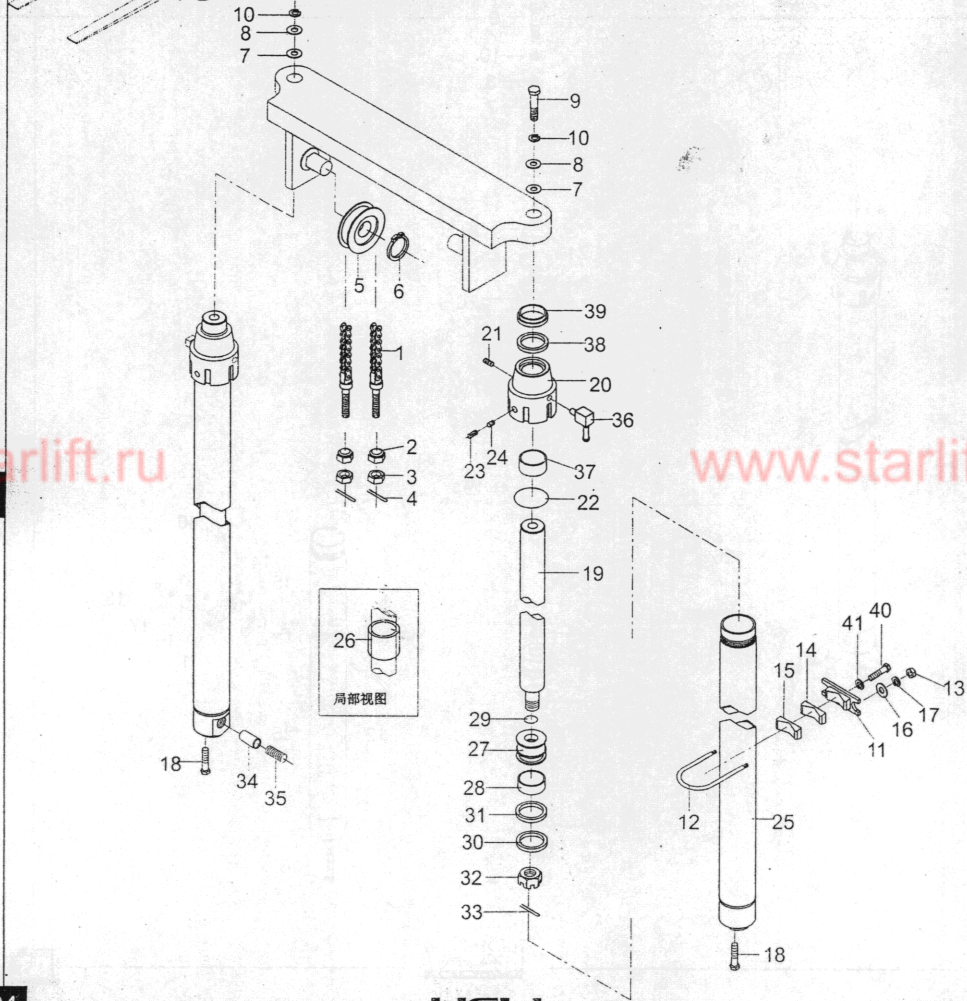


h2000



H5 起升油缸总成/LIFT CYLINDER ASS'Y

图66/F1G66



序号 Item No	图号 Part No	零部件名称 Description	件数 Q'ty	备注 Remark
29	Z6004-07005	O-ring	2	GB1235-76
30	REF340214 25808-43111 REF340216	U-ring	2	
31	25808-43121	Snap ring	2	
32	01412-00030	Nut	2	
33	B3010-6P360	Pin, cotter	2	GB91-86
34	REF339770 24389-46011	Spool	2	
35	REF339431 24389-46021	Spring	2	
36	24329-45531	Elbow	2	
37	REF340270 25808-42221	Bushing	2	轴套(钢背轴承7035)
38	REF340858 54235-52401 REF341310	U-ring	2	
39	25808-42481	Seal, dust	2	防尘圈
40	B0530-16045	Bolt	2	螺栓M16X1.5X45
41	B5050-00016	Washer, lock	2	垫圈16

H

94

HELI

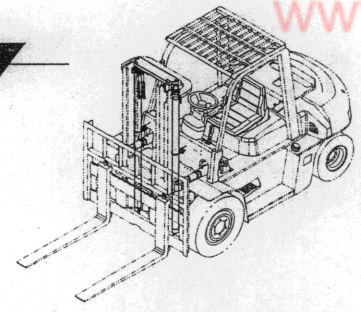
图66/FIG66

起升油缸总成/LIFT CYLINDER ASS'Y

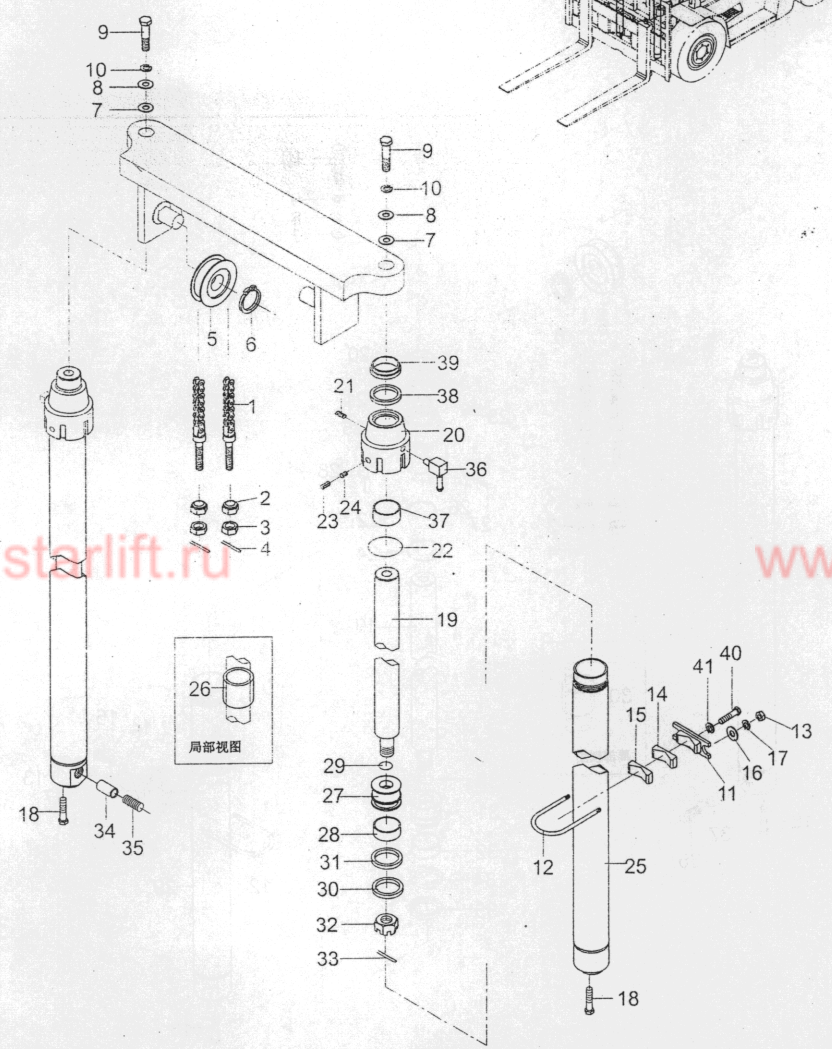
H5

起升油缸选用件(8t) OPTION TABLE FOR LIFT CYLINDER

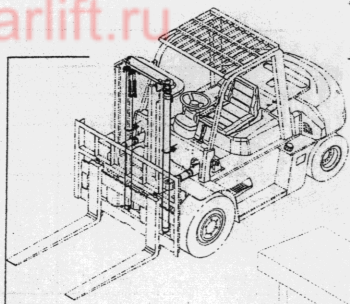
CPCD80



起升高度 LIFTING HEIGHT	起升油缸 LIFT CYL	缸体 CYL. BODY	活塞杆 ROD, PISTON	链条节数(N) CHAIN. LEAF	件8调整套 SLEEVE, ADJUSTED
M250	25808 -40211G	25808 -40611G	25808 -42311G	HRLH2444011-N -53	
270	-40221G	-40621G	-42321G	-55	
300	-40201G	-40601G	-42301G	-59	标准 STD
330	-40251G	-40651G	-42351G	-63	
350	-40261G	-40661G	-42361G	-67	
375	-40271G	-40671G	-42371G	-69	
400	-40281G	-40681G	-42381G	-75	25808 -42261
425	-40291G	-40691G	-42391G	-77	-42261
450	-40301G	-40701G	-42401G	-81	-42261
475	-40311G	-40711G	-42411G	-83	-42261
500	-40321G	-40721G	-42421G	-87	-42261
550	-40331G	-40731G	-42431G	-95	-42271
600	-40341G	-40741G	-42441G	-101	-42271



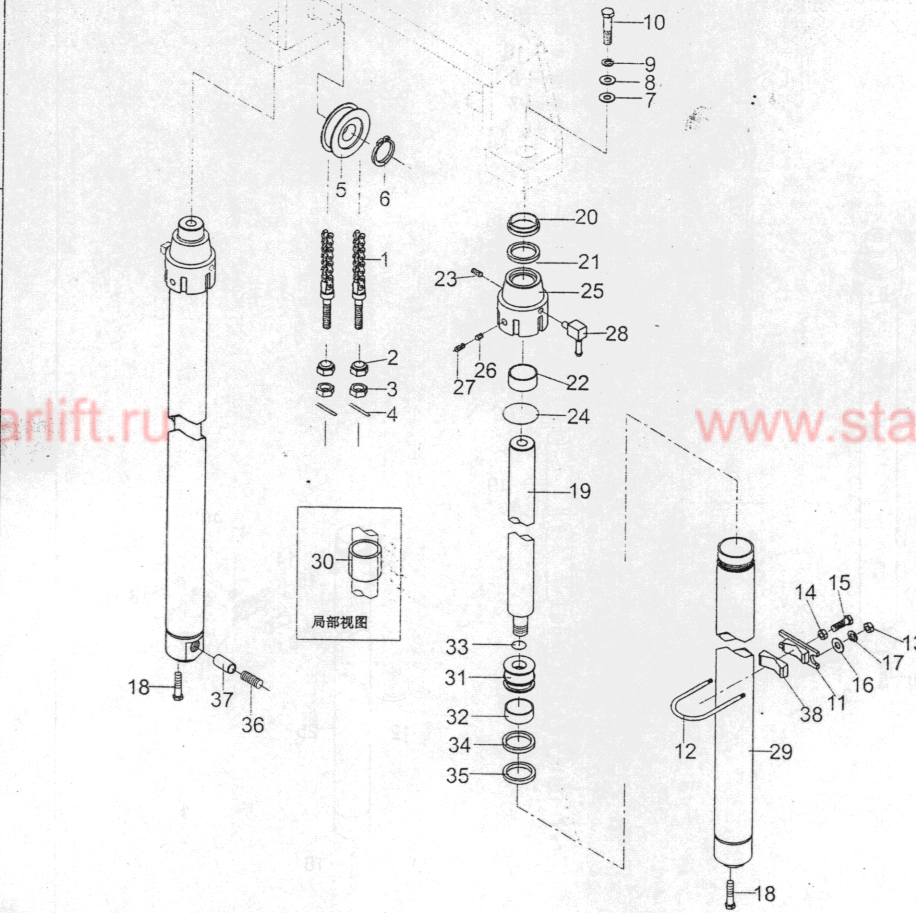
H



H6

起升油缸总成/LIFT CYLINDER ASS'Y

图67/FIG67



序号 Item No	图号 Part No	零部件名称 Description	件数 Q'ty	备注 Remark
A	HRD56J8401	Lift cylinder ass'y	2	起升油缸总成
01	HRLH2844011-N	Chain(inc.2-4)	2	链条总成(节数见表, 含件2-4)
02	25908-42721	Nut	4	球形螺母
03	B4130-00030	Nut	4	螺母M18x1.5
04	B3010-04060	Pin	4	开口销4x60
05	25908-30601	Sheave	2	链轮总成
06	B6150-00075	Snap ring	2	挡圈75
07	REF337967 27914-32051	Washer	2	调整垫片
08	REF337967 27914-32061	Washer	4	调整垫片
09	B0530-30080	Bolt	2	螺栓M30X2X80
10	B5650-00030	Washer	2	垫圈30
11	25908-42601	Support	2	油缸支撑块
12	25908-42651	U-bolt	2	U型螺栓
13	B4216-00012	Nut	4	螺母M12x1.25
14	B4413-00016	Nut	2	螺母M16x1.5
15	B0530-16050	Bolt	2	螺栓M16x1.5X50
16	B5410-00012	Washer	4	垫圈12
17	B5050-00012	Washer,lock	12	垫圈12
18	REF341684 24389-44301	Bolt	2	螺栓
B	REF105558G	Lift cylinder	2	起升油缸总成
19	REF104516	Rod	2	活塞杆
20	REF341310 25808-42481	Seal,dust	2	防尘圈
21	REF340858 54235-52401	U-ring	2	U形密封圈
22	Z2114-07035	Bushing	2	钢背轴承(7035)
23	Q/ZB285.3"	Plug	2	螺塞Z63/8"
24	24450-82291	O-ring	2	O形密封圈
25	25908-42551	Cap	4	缸盖
26	25908-44111	Plug	4	塞子
27	B1830-08012	Screw	2	螺钉M8X12
28	24329-45531	Elbow	2	管接头

图

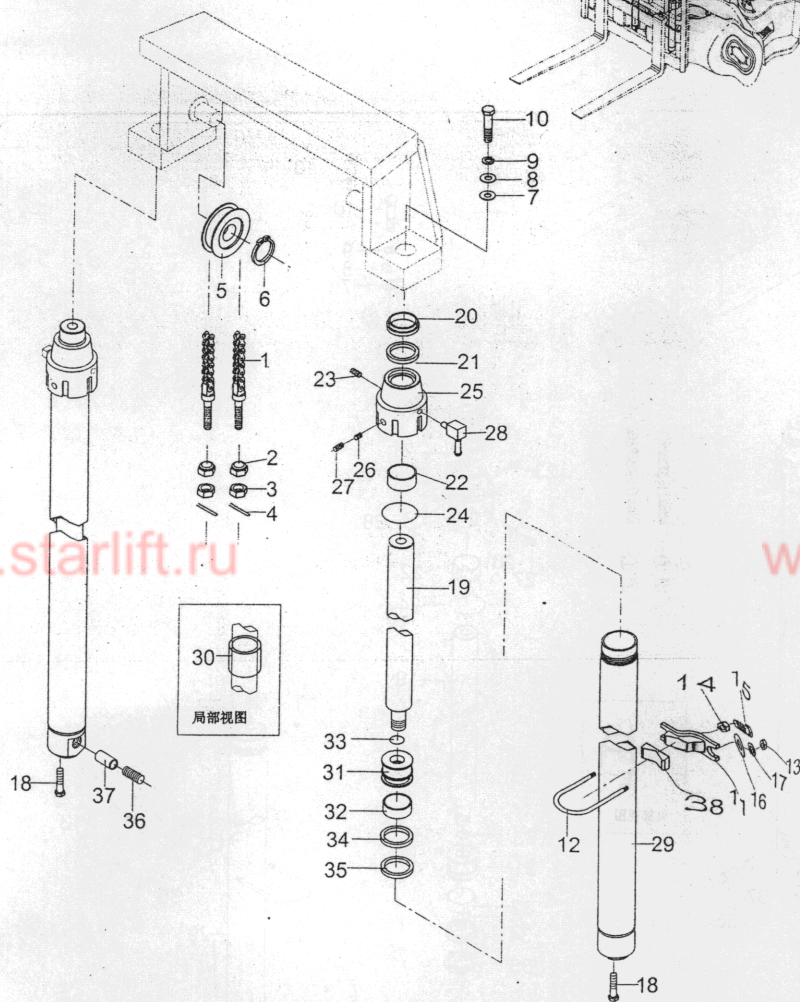
序号
Item No
29
30
31
32
33
34
35
36
37
38

图67/FIG67

起升油缸总成/LIFT CYLINDER ASS'Y

H6

序号 Item No	图号 Part No	零部件名称 Description	件数 Q'ty	备注 Remark	CPCD100
29	REF208803	Cylinder body	缸体	2	见表,see table
30	REF206926G	Sleeve,adjusted	调整轴套	2	见表,see table
31	25908-42451	Piston	活塞	2	
32	25908-42431	Wearing	支承环	2	
33	25908-42481	Stop ring,steel wire	钢丝挡圈	2	
34	REF340216 25908-42471	Snap ring	挡片	2	
35	REF340216 25908-42461	U-ring	U形密封圈	2	
36	REF343954 25908-44281	Piston	滑阀	2	
37	REF339770 24389-46011	Spring	弹簧	2	
38	25908-20271	Rubber	调整块	2	



H6

起升油缸总成/LIFT CYLINDER ASS'Y

图67/FIG67

CPCD100

起升油缸选用件 (10t) OPTION TABLE FOR LIFT CYLINDER

图6

序号
Item
No

A

01

02

03

04

05

06

07

08

09

10

11

12

13

14

15

16

17

18

19

20

21

22

23

24

25

26

27

28

29

30

31

32

33

34

35

起升高度 LIFTING HEIGHT	起升油缸 LIFT CYL	缸 体 CYL. BODY	活 塞 杆 ROD, PISTON	链条总成 CHAIN	调整套 SLEEVE, ADJUSTED
M300	25908	25908	25908	HRLH2844011	标准 STD
325	-40001	-40601	-42201	-51	
330	-40011	-40641	-42241	-53	
350	-40021	-40651	-42251	-53	
375	-40031	-40661	-42261	-55	
400	-40041	-40671	-42271	-59	
425	-40051	-40681	-42281	-63	25808
450	-40061	-40691	-42291	-65	-42261
475	-40071	-40701	-42301	-69	-42261
500	-40081	-40711	-42311	-71	-42261
550	-40091	-40721	-42321	-73	-42261
600	-40101	-40731	-42331	-81	-42271
	-40111	-40741	-42341	-87	-42271

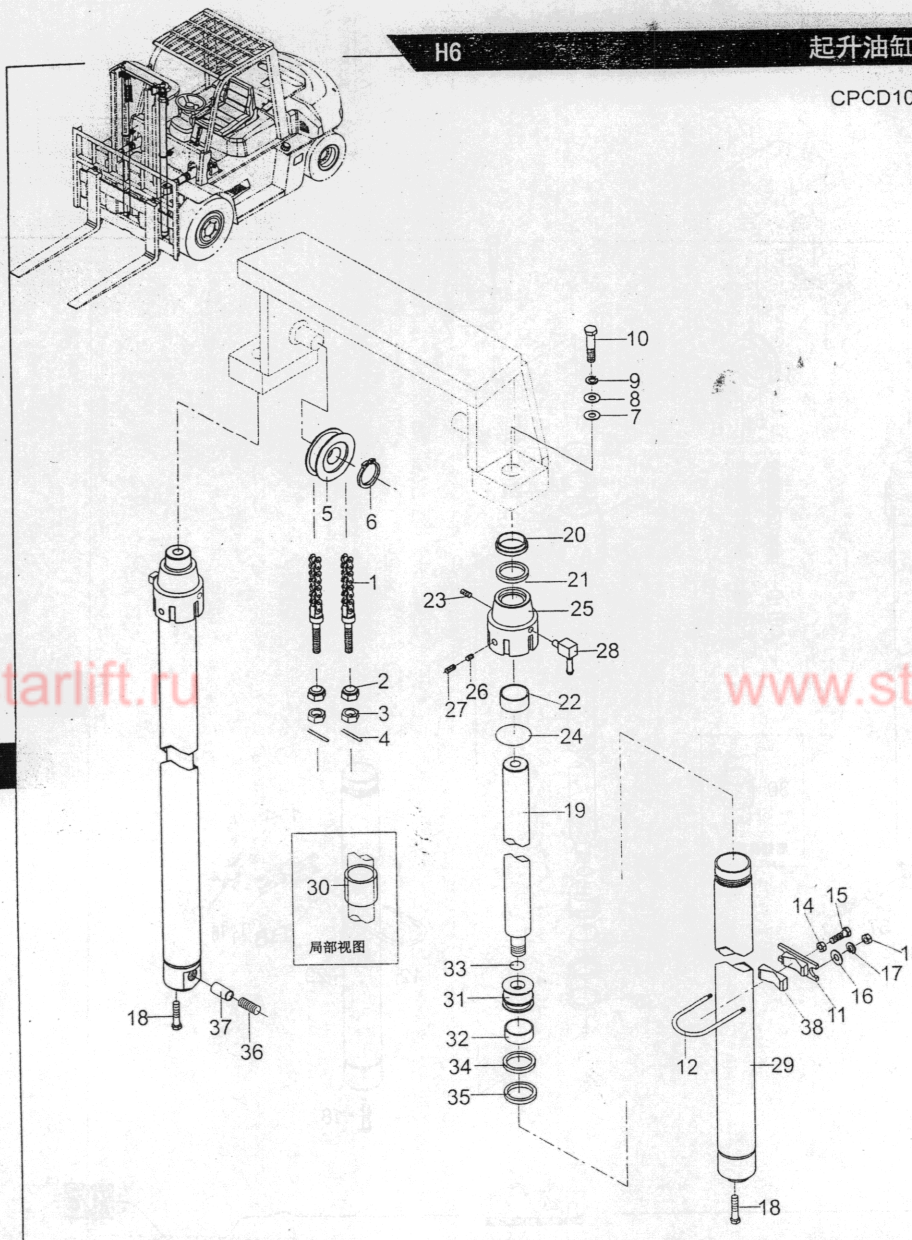
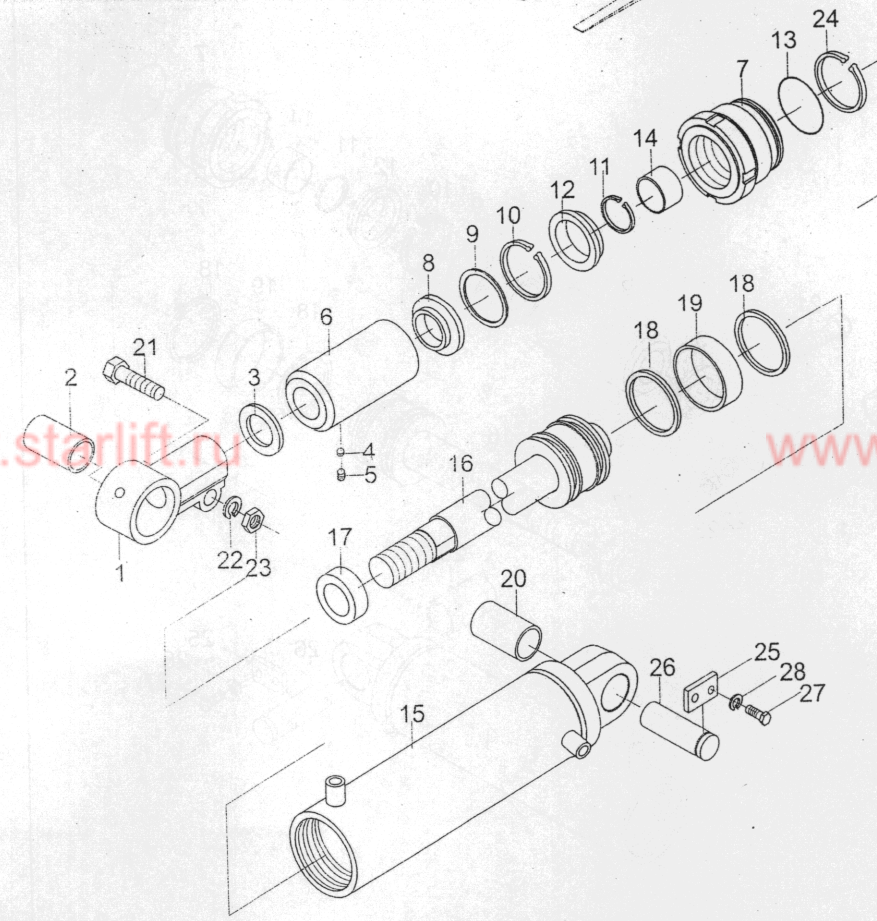
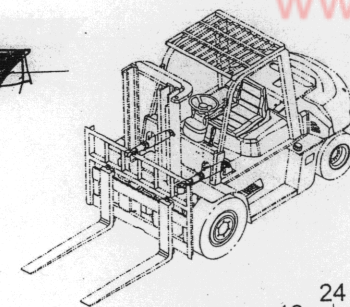


图68/FIG68

倾斜油缸/TILT CYLINDER

H7

序号 Item No	图号 Part No	零部件名称 Description	件数 Q'ty	备注 Remark	CPCD80,100
A	HRD40A8501	Tilt cylinder	倾斜油缸	各1	见表,see table
01	D40C8-52001	Ear ring	耳环	1	
02	Z2123-05060	Bushing	钢背轴承5060	1	
03	25908-52021	Washer	垫片	4	
04	B8330-10012	Screw	螺钉M10X12	1	GB79-85
05	23658-52401	Plug	塞子	1	
06	HRD40A8502	Spacer	调整轴套	1	见表,see table
07	25788-52052	Guide Sleeve	导向套	1	
08	REF341310 24329-45581	Dust seal	防尘圈72	1	
09	B6050-00072	Snap ring	挡圈72	1	GB893.1-86
10	24328-52221	Snap ring	挡圈	1	
11	24328-52211	Snap ring	挡圈	1	
12	REF340213 24328-52201	U-ring	U型密封圈d50	1	
13	03350-01100	O-ring	O型密封圈	1	
14	Z2114-05030	Bushing	钢背轴承5030	1	
15	HRD40C8503	Tube,cylinder ass'y	缸体	1	
16	HRD40C8504 D40C8-50441	Body,piston ass'y	活塞体	1	
17	HRD40C8506	Spacer	调整套	1	见表,see table
18	25788-52151	Yx-ring	Yx型密封圈D100	2	
19	22658-52081	Wearing	支承环	1	
20	Z2123-05058	Bushing	钢背轴承5058	1	
21	B0230-16070	Bolt	螺栓M16X70	1	GB5782-86
22	B5050-00016	Washer,lock	垫圈16	1	GB93-87
23	B4123-00016	Nut	螺母M16	1	GB6170-86
24	24388-52061	Snap ring	挡圈	1	
25	23648-50161	Plate	卡板	1	
26	25788-52101	Pin	轴	1	
27	B0530-10020	Bolt	螺栓M10X1.25X20	2	GB5786-86
28	B5050-00010	Washer,lock	垫圈10	2	GB93-87



H



