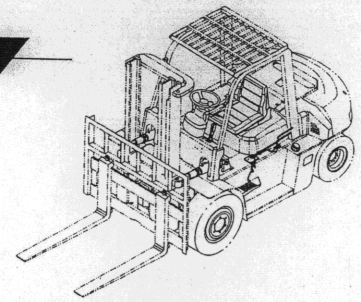


FIG10

图11/FIG11

燃油系统/FUEL SYSTEM

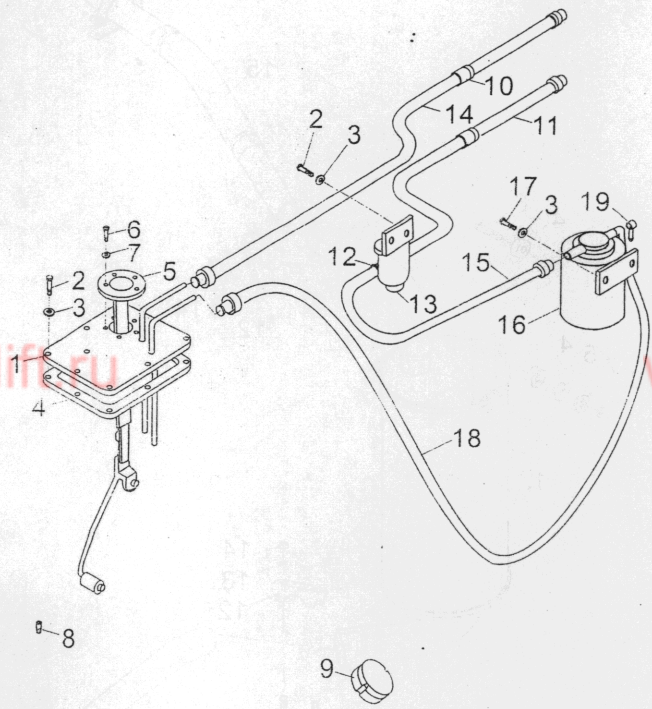
A11



A

注  
mark  
1-85  
3-87  
70-86  
2-86  
7-86  
8-85  
87

序号 Item No	图号 Part No	零部件名称 Description	件数 Q'ty	备注 Remark	CPCD80,100
A	H43E2-20002	Fuel system	燃油系统	1	CPCD80,100-W5,C3
-	H58J2--20001	Fuel system	燃油系统	1	CPCD80,100-CU
-	H05H2-20001	Fuel system	燃油系统	1	CPCD80,100-WX
01	H43E2-20212	Plate ass'y	盖板总成	1	
02	B0330-08020	Bolt	螺栓M8X20	10	GB5783-86
03	B5050-00008	Washer, lock	垫圈8	12	CPCD80,100-W5,C3 GB93-87
04	52252-72071	Gasket	盖板垫	1	10 CPCD80,100-CU,WX
05	23642-20042G	Packing	垫	1	
06	B1110-05016	Bolt	螺钉M5X16	5	GB67-85
07	B5050-00005	Washer, lock	垫圈5	5	GB93-87
08	G0366-50011	Drain plug	通气塞Z1/8"	1	
09	25782-21011	Cover ass'y	油箱盖总成	1	
10	25782-22021	Lining, rubber	橡胶衬	2	
11	Z7300-10034	Hose	输油胶管10X17X340	1	CPCD80,100-W5,C3
12	Z4590-00018	Clip	双钢丝卡箍	3	
13	H43E2-24001	Sedimentor	柴油滤清器	1	CPCD80,100-W5,C3
14	Z7300-10080	Hose	输油胶管10X17X800	1	CPCD80,100-W5,C3
-	Z7300-10170	Hose	输油胶管10X17X1700	1	CPCD80,100-CU
-	Z7300-10150	Hose	胶管10X17X1500	1	CPCD80,100-WX
15	Z7300-10090	Hose	输油胶管10X17X1000	1	CPCD80,100-W5,C3
-	Z7300-10170	Hose	输油胶管10X17X1700	1	CPCD80,100-CU
-	Z7300-10070	Hose	胶管10X17X700	1	CPCD80,100-WX
16	DX200MT-0000	Sedimentor	油水分离器	1	
17	B0320-08025	Bolt	螺栓M8X25	2	GB5782-86
18	Z7300-10100	Hose	输油胶管10X17X1100	1	CPCD80,100-W5,C3
-	Z7300-10090	Hose	胶管10X17X900	1	CPCD80,100-CU
-	Z7300-10200	Hose	胶管10X17X2000	1	CPCD80,100-WX
19	H09E2-22001	Conneter	接头	1	CPCD80,100-CU



h200n