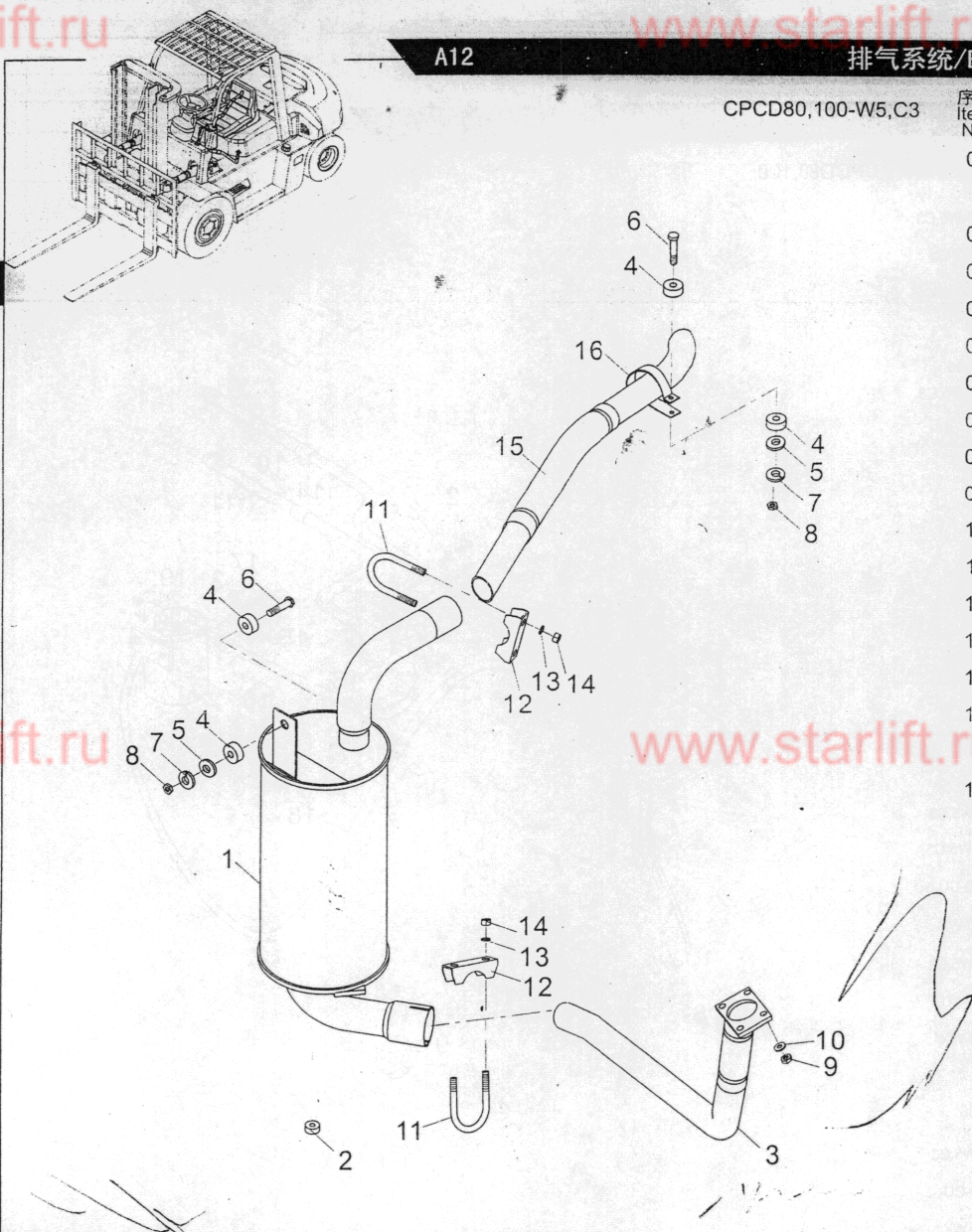


A12

排气系统/EXHAUST SYSTEM

图12/FIG12

CPCD80,100-W5,C3



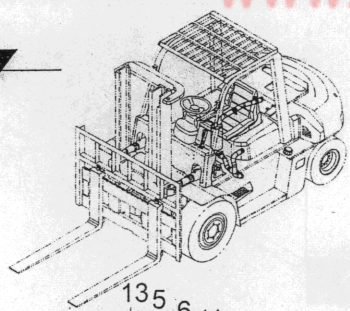
序号 Item No	图号 Part No	零部件名称 Description	件数 Q'ty	备注 Remark
01	H43E2-30202	Muffler	1	消声器总成
-	H43E2-30901	Muffler	1	灭火消声器总成 选用 Option
02	A22A2-12001	Rubber spacer	1	橡胶垫I
03	H08E2-30202	Front pipe ass'y	1	前排气管总成
04	22252-32241	Rubber spacer	4	橡胶垫
05	22252-32251	Shim	2	垫片
06	B0230-10055	Bolt	2	螺栓M10X55 GB5782-86
07	B5310-00010	Washer	2	垫圈10 GB97.1-85
08	B4023-00010	Nut	2	锁紧螺母M10 GB6184-86
09	B4123-00010	Nut	4	螺母M10 GB6170-86
10	B5050-00010	Washer, lock	4	垫圈10 GB93-87
11	25782-32111G	U-Bolt	2	U型螺栓
12	25782-32121	Plate	2	卡板
13	B5050-00008	Washer, lock	4	垫圈8 GB93-87
14	B4123-00008	Nut	4	螺母M8 GB6170-86
15	H56J2-30201	Back pipe ass'y	1	尾管总成 10t
-	H56H2-30201	Back pipe ass'y	1	尾管总成 8t
16	H43E2-33001	Clip	1	卡箍

/FIG12

图13/FIG13

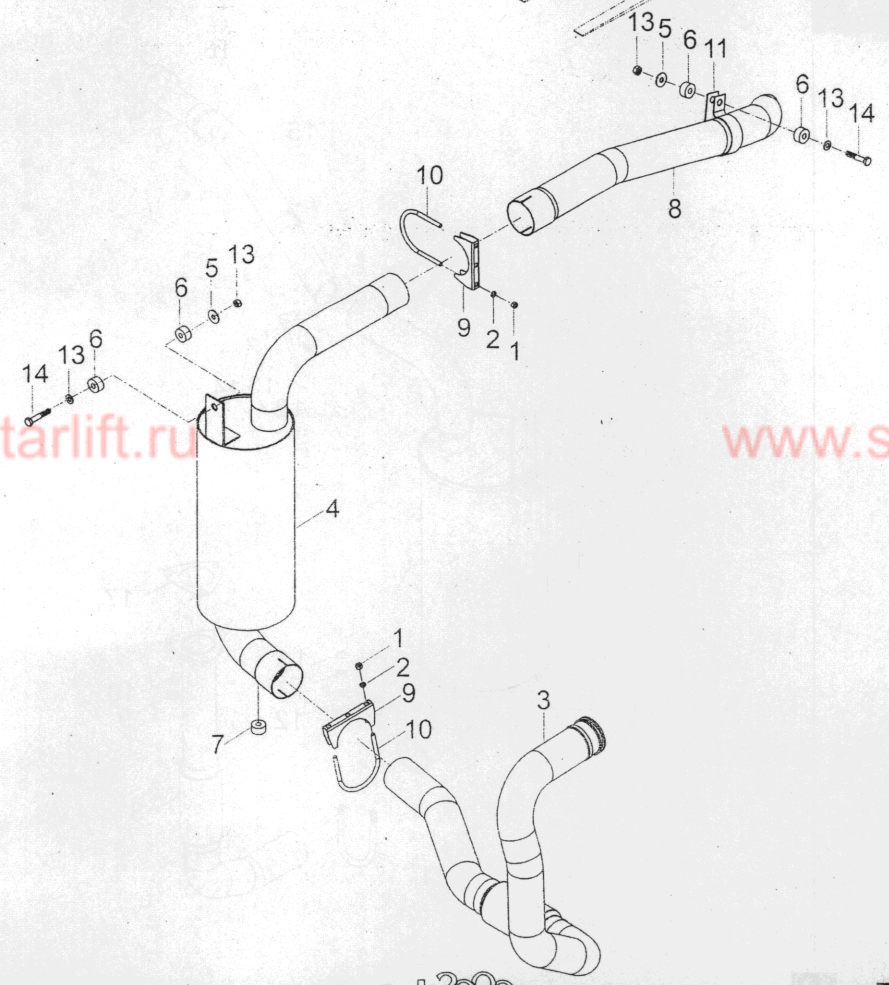
排气系统/EXHAUST SYSTEM

A13



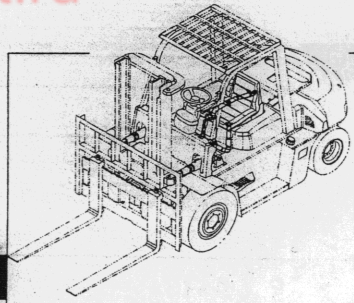
注 emark	序号 Item No	图号 Part No	零部件名称 Description	件数 Q'ty	备注 Remark
	A	H58H2-30001	Exhaust system	1	8t
Option	-	H58H2-30001	Exhaust system	1	10t
	01	B4116-00008	Nut	4	GB6170-86
	02	B5050-00008	Washer, lock	4	GB93-87
	03	H58J2-30301	Front pipe ass'y	1	
	04	H58J2-30201	Muffler	1	
157-86	05	22252-32251	Shim	2	
197.1-85	06	22252-32241	Rubber spacer	4	
16184-86	07	A22A2-12001	Rubber spacer	1	
16170-86	08	H58H2-32001	Pipe ass'y	1	8t
893-87	-	H58J2-32141	Pipe ass'y	1	10t
	09	H58J2-32121	Plate	2	
	10	H58J2-32111	U-Bolt	2	
393-87	11	H58J2-32131	Clip	1	
1170-86	12	B5310-00010	Washer	2	GB97.1-85
10t	13	B4123-00010	Nut	2	GB6170-86
8t	14	B0230-10055	Bolt	2	GB5782-86

CPCD80,100-CU



A





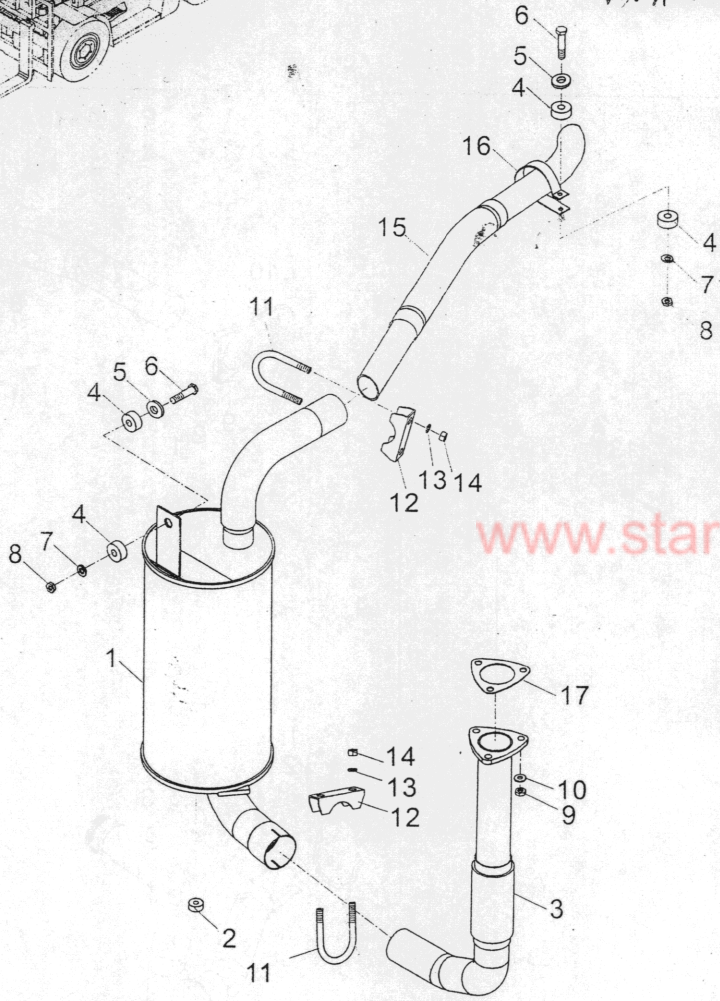
A14

排气系统/EXHAUST SYSTEM

图14/FIG14

CPCD80,100-WX

锡柴 6110



序号 Item No	图号 Part No	零部件名称 Description	件数 Q'ty	备注 Remark	序号 Item No
A	H05J2-30001	Exhaust system	1	排气系统	01
-	H05H2-30001	Exhaust system	1	排气系统	02
01	H05H2-32051	Muffler	1	消声器总成	03
02	A22A2-12001	Rubber spacer	1	橡胶垫 I	04
03	H05H2-30201	Front pipe ass'y	1	前排气管总成	05
04	22252-32241	Rubber spacer	4	橡胶垫	06
05	22252-32251	Shim	2	垫片	07
06	B0230-10055	Bolt	2	螺栓M10x55	08
07	B5310-00010	Washer	2	垫圈10	09
08	B4023-00010	Nut	2	螺母M10	10
09	B4123-00010	Nut	3	螺母M10	11
10	B5050-00010	Washer, lock	3	垫圈10	12
11	H58J2-32111	U-Bolt	2	U型螺栓	13
12	H58J2-32121	Plate	2	卡板	14
13	B5050-00008	Washer, lock	4	垫圈8	15
14	B4123-00008	Nut	4	螺母M8	16
15	H05H2-30301	Back pipe ass'y	1	尾管总成	17
-	H05J2-30201	Back pipe ass'y	1	尾管总成	
16	H58J2-32131	Clip	1	卡箍	
17	H05H2-32031	Shim	1	法兰垫	