

4/FIG

图25/FIG25

传动装置安装/DRIVE UNIT MOUNT

C1

CPCD80,100-W5,C3

备注  
Remark

序号  
Item No

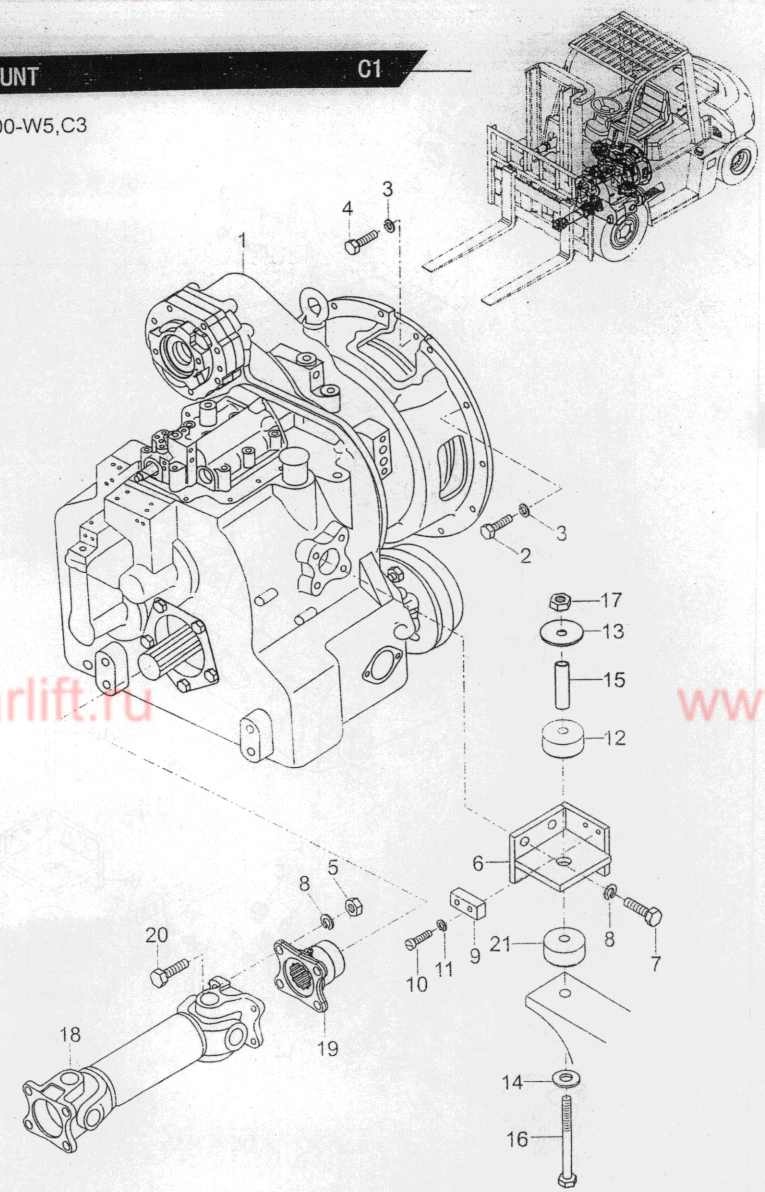
图号  
Part No

零部件名称  
Description

件数  
Q'ty

备注  
Remark

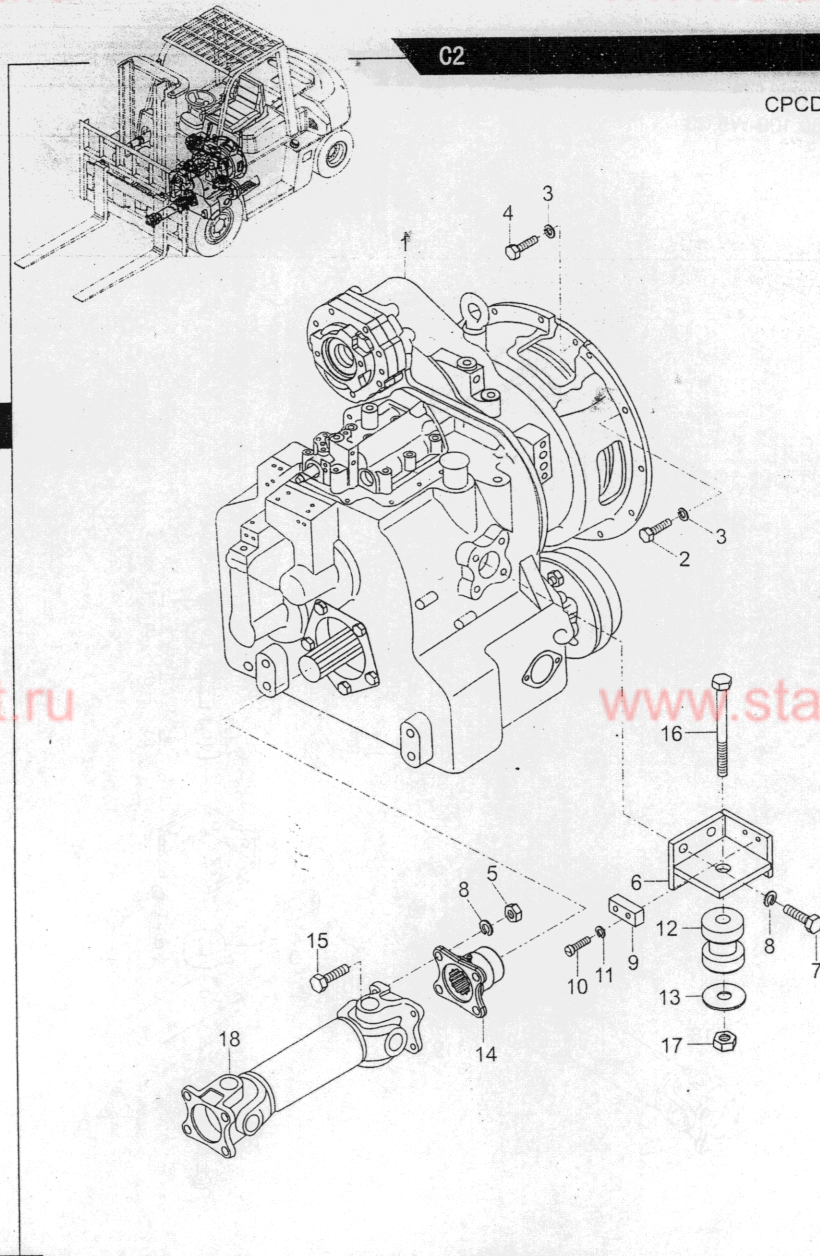
序号 Item No	图号 Part No	零部件名称 Description	件数 Q'ty	备注 Remark
01	REF000619	Drive unit 传动装置	1	
02	B0330-10030	Bolt 螺栓M10X30	12	GB5783-86
03	B5050-00010	Washer,lock 垫圈10	22	GB93-87
04	B0330-10025	Bolt 螺栓M10X25	10	GB5783-86
05	B4223-00016	Nut 螺母M16X1.5	8	GB6171-86
06	25782-52002	Bracket,drive 传动支架	2	
07	B0530-16035	Bolt 螺栓M16X1.5X35	8	GB5786-86
08	B5050-00016	Washer,lock 垫圈16	16	GB93-87
09	27419-43321	Cushion,rubber 缓冲垫	2	
10	B1110-06012	Screw 螺钉M6X12	4	GB67-85
11	B5310-00006	Washer 垫圈6	4	GB97.1-85
12	22571-02011	Cushion,rubber 橡胶垫	2	
13	25782-52041	Washer 垫圈	2	
14	23651-02001	Shim 垫片	2	
15	22671-02001	Plastic pipe 套管	2	
16	B0230-10100	Bolt 螺栓M10X100	2	GB5782-86
17	B4116-00010	Nut 螺母M10	2	GB6170-86
18	HRH43E3301 H56J3-30201	Propeller shaft ass'y 传动轴总成	1	
19	25783-32001	Joint bushing 联接套	1	
20	25783-32101	Bolt 铰制螺栓	8	
21	H43E3-92151	Cushion,rubber 橡胶垫	2	



C

h2000





传动装置安装/DRIVE UNIT MOUNT

图26/F1

CPCD80,100-CU

序号 Item No	图号 Part No	零部件名称 Description	件数 Q'ty	备注 Remarks
01	REF000619	Drive unit	1	传动装置
02	B0330-10030	Bolt	12	螺栓M10X30
03	B5050-00010	Washer,lock	22	垫圈10
04	B0330-10025	Bolt	10	螺栓M10X25
05	B4216-00016	Nut	8	螺母M16X1.5
06	H40X2-50101	Bracket,drive	2	传动支架
07	B0530-16035	Bolt	8	螺栓M16X1.5X35
08	B5050-00016	Washer,lock	16	垫圈16
09	27419-43321	Cushion,rubber	2	缓冲垫
10	B1110-06012	Screw	4	螺钉M6X12
11	B5310-00006	Washer	4	垫圈6
12	CB-2204-2	Cushion,rubber	2	后减震垫
13	H40X2-52001	Washer	2	垫圈
14	25783-32001	Joint bushing	1	联接套
15	25783-32101	Bolt	8	铰制螺栓
16	B0240-20120	Bolt	2	螺栓M20X120
17	B4130-00020	Nut	2	螺母M20
18	HRH43E3301 H56J3-30201	Propeller shaft ass'y	1	传动轴总成

图2

序号 Item No
01
02
03
04
05
06
07
08
09
10
11
12
13
14
15
16
17
18
19
20
21
22
23
24
25
26
27
28
29
30
31
32
33
34
35
36
37
38
39
40
41
42
43
44
45
46
47
48
49
50
51
52
53
54
55
56
57
58
59
60
61
62
63
64
65
66
67
68
69
70
71
72
73
74
75
76
77
78
79
80
81
82
83
84
85
86
87
88
89
90
91
92
93
94
95
96
97
98
99
100

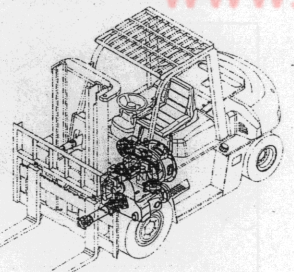


图26/F

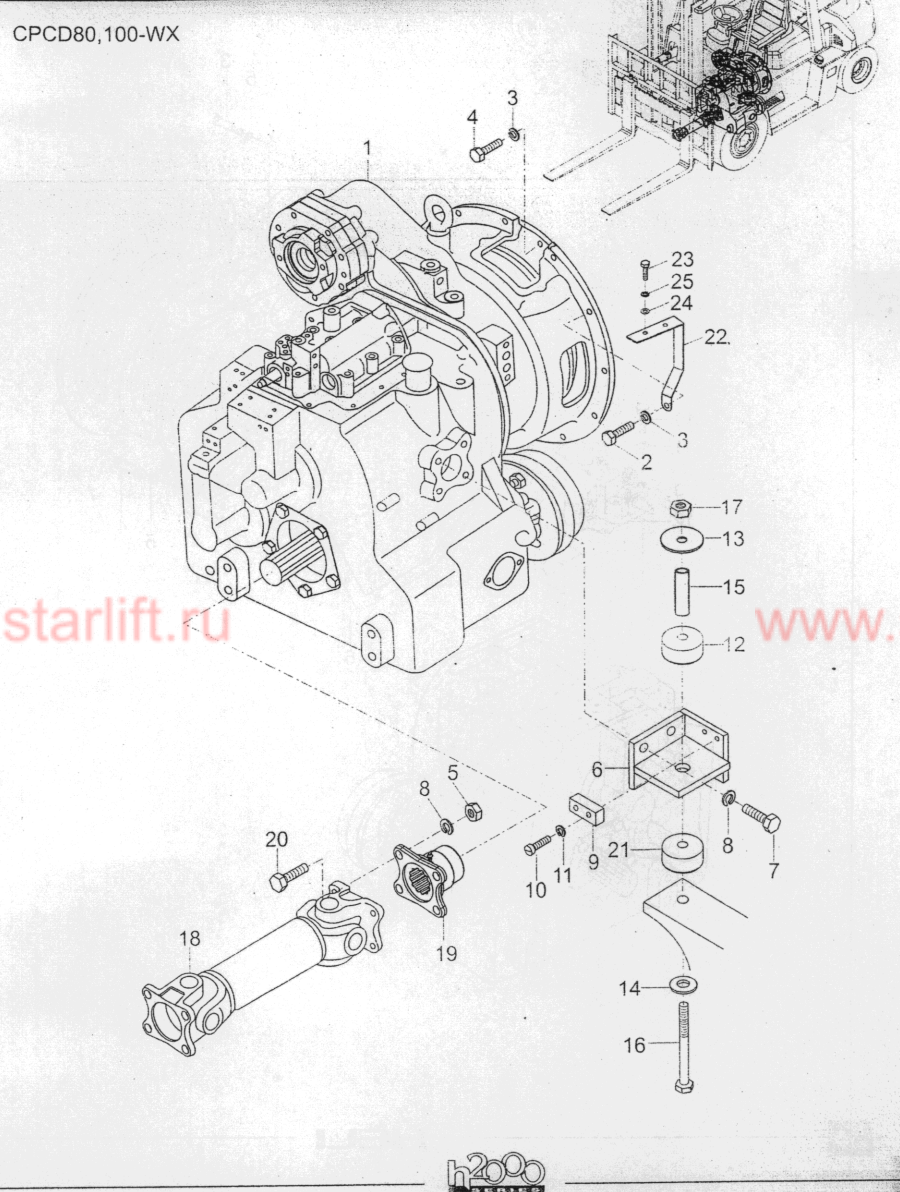
图27/FIG27

传动装置安装/DRIVE UNIT MOUNT

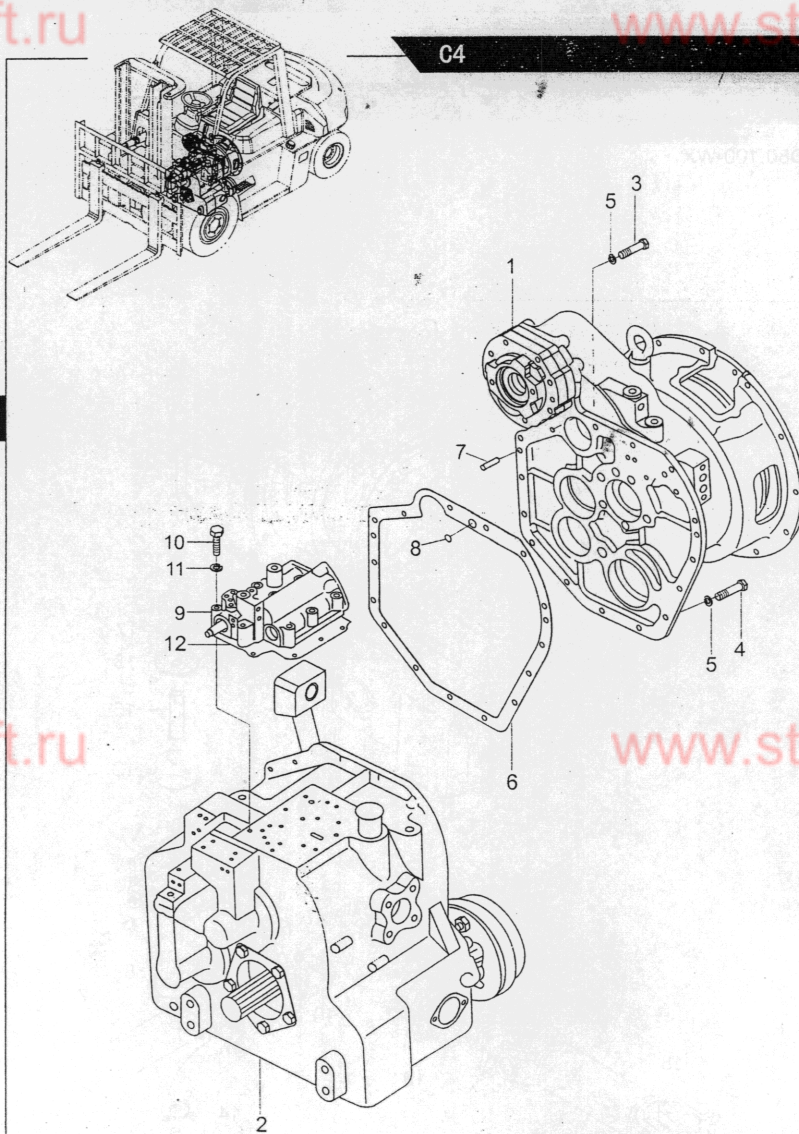
C3



数量 Qty	备注 Remark	序号 Item No	图号 Part No	零部件名称 Description	件数 Q'ty	备注 Remark
1		01	A06H3-80201	Drive unit 传动装置	1	
2	GB5783-86	02	B0330-10030	Bolt 螺栓M10X30	12	GB5783-86
2	GB93-87	03	B5050-00010	Washer,lock 垫圈10	22	GB93-87
0	GB5783-86	04	B0330-10025	Bolt 螺栓M10X25	10	GB5783-86
1	GB6170-86	05	B4223-00016	Nut 螺母M16X1.5	8	GB6170-86
1		06	HRA06H2501 A06H2-50601	Bracket,drive 传动支架右	2	
1	GB5786-86	06	HRA06H2501 A06H2-50701	Bracket,drive 传动支架左	2	GB5786-86
3	GB93-87	07	B0530-16035	Bolt 螺栓M16X1.5X35	8	GB5786-86
1		08	B5050-00016	Washer,lock 垫圈16	16	GB93-87
1	GB67-85	09	27419-43321	Cushion,rubber 缓冲垫	2	GB67-85
1	GB97.1-85	10	B1110-06012	Screw 螺钉M6X12	4	GB97.1-85
1		11	B5310-00006	Washer 垫圈6	4	
1		12	22571-02011	Cushion,rubber 橡胶垫	2	✓
1		13	25782-52041	Washer 垫圈	2	
1		14	23651-02001	Shim 垫片	2	
1	GB5782-86	15	22671-02001	Plastic pipe 套管	2	
1	GB6170-86	16	B0230-10100	Bolt 螺栓M10X100	2	GB5782-86
1		17	B4116-00010	Nut 螺母M10	2	GB6170-86
1		18	H05H3-30001	Propeller shaft ass'y 传动轴总成	1	
1		19	25783-32001G	Joint bushing 联接套	1	
1		20	25783-32101	Bolt 铰制螺栓	8	
1		21	H43E3-92151	Cushion,rubber 橡胶垫	2	✓
1		22	20202-52013	Bracket HZ-V真空增压支架	1	
1		23	B0230-06030	Bolt 螺栓M6x30	2	GB5782-86
1		24	B5310-00006	Washer 垫圈6	2	GB97.1-85
1		25	B5050-00006	Washer,lock 垫圈6	2	GB93-87







C4

传动装置/DRIVE UNIT

图28/FIG.28

序号 Item No	图号 Part No	零部件名称 Description	件数 Qty	备注 Remark
01	15793-82001	Case, tor-con	1	变矩器壳
02	15793-82011	Case, transmission	1	变速箱箱体
03	B0430-10065	Bolt	1	螺栓M10X1.25X65
04	B0430-10030	Bolt	11	螺栓M10X1.25X30
05	B5050-00010	Washer,lock	12	垫圈10
06	15793-82651	Gasket	1	垫
07	B3120-10020	Pin	2	销B10X20
08	Z6003-01502	O-ring	1	O形圈15X2.4
09	15793-80291	Control valve ass'y	1	控制阀总成 见图33 See Fig.33
10	B0230-08055	Bolt	9	螺栓M8X55
11	B5050-00008	Washer,lock	9	垫圈8
12	15793-82401	Gasket	1	垫片