

C14

驱动桥/DRIVE AXLE

图38/FIG

CPCD80,100

序号 Item No	图号 Part No	零部件名称 Description	件数 Q'ty	备注 Remark
01	A53H3-00201	Housing, driving axle 驱动桥壳总成	1	
02	25073-00031	Plug, drain 桥壳螺塞	2	
03	22253-02063	Breather 透气塞	1	
04	25783-02240	Pipe 充气接管	2	
05	25803-02061	Shaft, axle 半轴	2	
06	REF214284 230G3-70112	Wheel brake ass'y L.H. 制动器总成(左)	1	See fig.41
-	REF214284 230G3-70102	Wheel brake ass'y R.H. 制动器总成(右)	1	See fig.41
07	25783-02800G	Lever board 支撑板	2	
08	B3210-12026	Pin 销B12X26	2	GB119-88
09	25784-42111	Nut, hub outer 外螺母	20	
10	25784-42101	Nut, hub inner 内螺母	20	
11	A53H3-02061	Hub 轮毂	2	
12	90100-97090	Bolt 螺栓	20	
13	B5050-00014	Washer, lock 垫圈	14	GB93-87
14	25803-02081	Carrier, planet 行星架	2	
15	25803-02101	Packing 纸垫	2	
16	25803-02091	Gear, planet 行星齿轮	6	
17	REF106352	Spacer 滚子隔垫	6	
18	Z1612-04218	Needle 滚针4X21.81	348	GB305-77
19	Z1520-00095	Ball, steel 钢球Ø9.5	6	GB308-77
20	90106-34990	Shaft, planet gear 行星齿轮轴	6	
21	90106-35090	Washer, thrust 止推垫片	12	
22	25803-02071	Gear, sun 太阳齿轮	2	
23	03192-33023	Ring 轴向卡圈	2	
24	90106-45490	Cap, axle shaft 半轴端盖总成	2	
25	90106-06890	Gasket 端盖纸垫	2	
26	B0530-12030	Bolt 螺栓M12X1.25X30	12	GB5786-88
27	B5050-00032	Washer, lock 垫圈	12	GB93-87
28	24043-00230	Lock nut, outer 锁紧螺母(外) M75X2	2	
29	24043-00240	Lock nut, inner 锁紧螺母(内) M75X2	2	

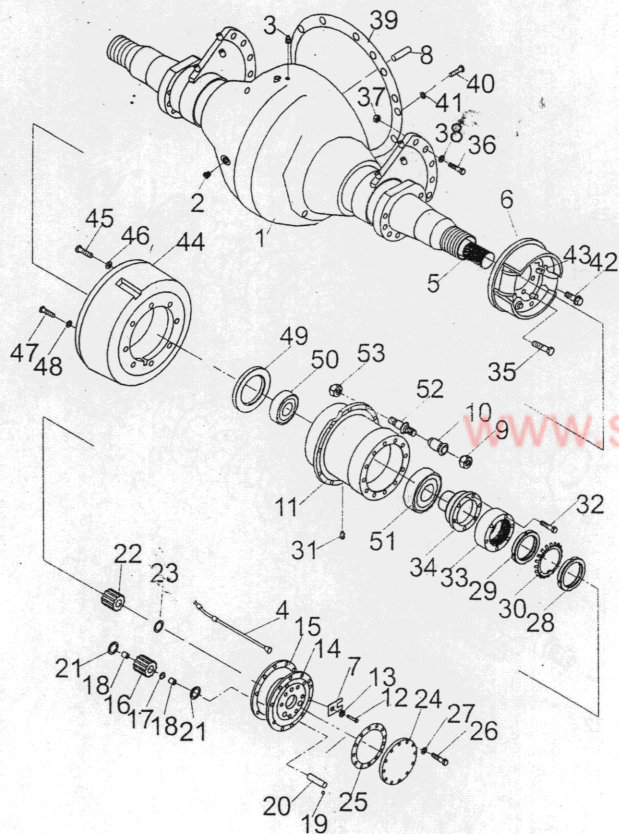


图38

序号
Item No

30

31

32

33

34

35

36

37

38

39

40

41

42

43

44

45

46

47

48

49

50

51

52

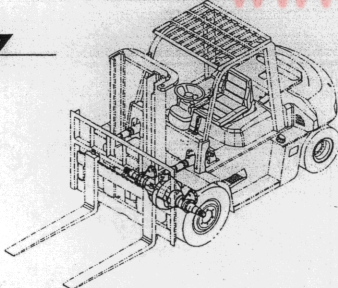
53

图38/FIG

图38/FIG38

驱动桥/DRIVE AXLE

C14



备注
Remark

See fig.4
See fig.4

GB119-88

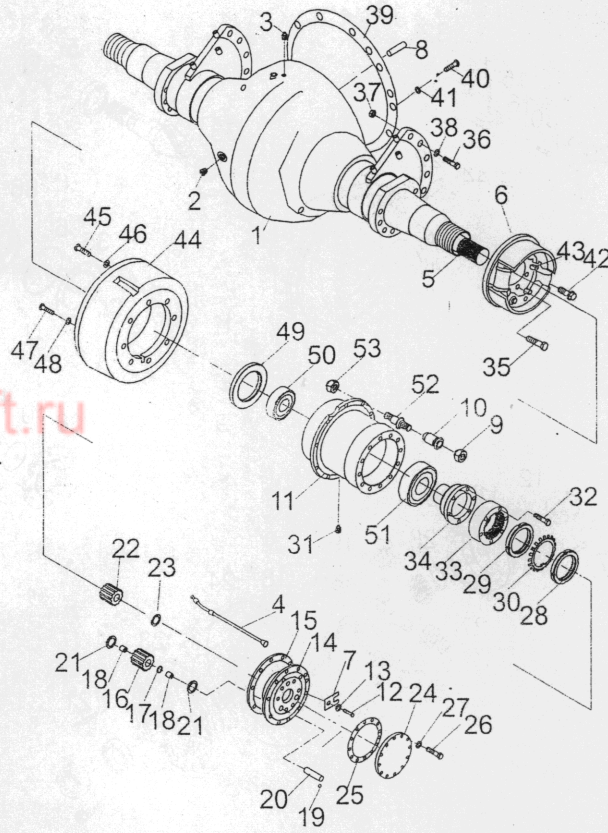
GB93-87

GB305-77
GB308-77

GB5786-88
GB93-87

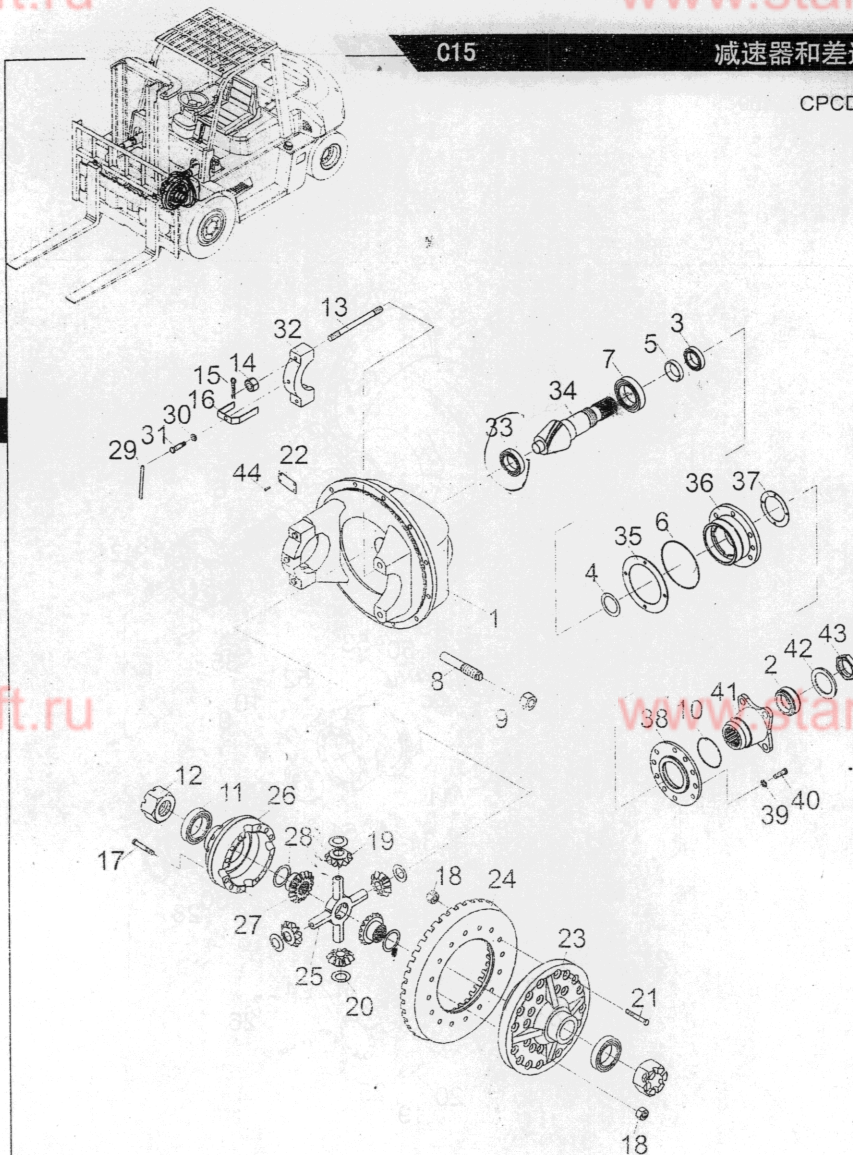
序号 Item No	图号 Part No	零部件名称 Description	件数 Q'ty	备注 Remark
30	REF101274	Washer, lock	防松垫圈 12	
31	22193-03001	Plug	堵塞 4	
32	90106-88090	Bolt	内齿圈螺栓 16	
33	25803-02041	Gear, internal	内齿圈 2	
34	25803-02051	Gear, internal seat	内齿圈座 2	
35	B0530-12025	Bolt	螺栓M12X1.25X25 12	GB5786-86
36	B0530-24070	Bolt	螺栓M24X2X70 12	GB5786-86
37	B4230-00024	Nut	螺母M24X2 12	GB6171-86
38	25903-02101	Washer	垫圈 12	
39	25783-02011	Packing	纸垫 1	
40	B0530-14040	Bolt	螺栓M14X1.25X40 14	GB5786-86
41	B5050-00014	Washer, lock	垫圈14 14	GB93-87
42	B0530-12040	Bolt	螺栓M12X1.25X40 24	GB5786-86
43	A53H3-03001	Pin	销 4	
44	A53H3-02051	Drum	制动鼓 2	
45	25783-02321	Bolt, reamer	铰制螺栓 4	
46	REF104412	Washer	平垫圈 4	
47	25783-02331	Bolt	螺栓 20	
48	25783-02261	Washer, conical spring	锥形垫圈 20	
49	25783-02061	Seal, oil	油封 2	
50	25783-02041	Bearing, taper roller	小轴承 2	7521
51	25783-02051	Bearing, taper roller	大轴承 2	7520
52	24353-72001	Stud	螺栓柱 20	
53	B4223-00020	Nut, hub	螺母M20X1.5 20	GB6171-86

CPCD80,100



C





C15

减速器和差速器/REDUCTION & DIFFERENTIAL

图39/FIG

图39/

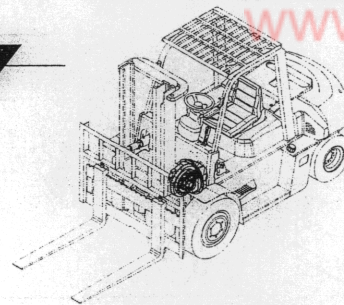
序号 Item No	图号 Part No	零部件名称 Description	件数 Q'ty	备注 Remark	序号 Item No
A	15803-50001	Differential unit	1		30
01	15783-52041	Carrier	1		31
02	HG4-692-67	Oil seal	1		32
03	Z-27310E	Bearing	1	GB297-84	33
04	REF341660	Washer, thrust	AR		34
05	13913-52172	Piece distance	1		35
06	Z6004-14003	O-ring	1	GB1235-77	36
07	Z-27311E	Bearing	1	GB297-84	37
08	90100-95390G	Bolt ass'y	1		38
09	B4413-00022	Nut	1	GB6173-88	39
10	03330-00290	O-ring	1		40
11	Z-7514E	Bearing	2	GB297-84	41
12	13913-52071	Nut	2		42
13	20313-50071	Bolt	4		43
14	20233-50281	Nut	4		
15	B3010-04040	Pin cotter	4	GB991-86	
16	13913-52081	Lock adjuster	2		
17	90100-17490G	Bolt	8		
18	B4533-00014	Nut	20	GB6176-86	
19	90100-16990	Gear, planet	4		
20	90100-17201	Washer, thrust	4		
21	15953-52121G	Bolt	12		
22	B6150-00030	Snap ring, spring	1		
23	15783-52021G	Case, L.H. cross	1		
24	15803-52001	Gear	1		
25	15783-52031	Spider	1		
26	13913-52032G	Case, R.H. cross	1		
27	16263-52161G	Gear side	2		
28	REF336236	Washer, adjuster	AR		
29	02280-10010	Steel wire	2		

39/FIG3

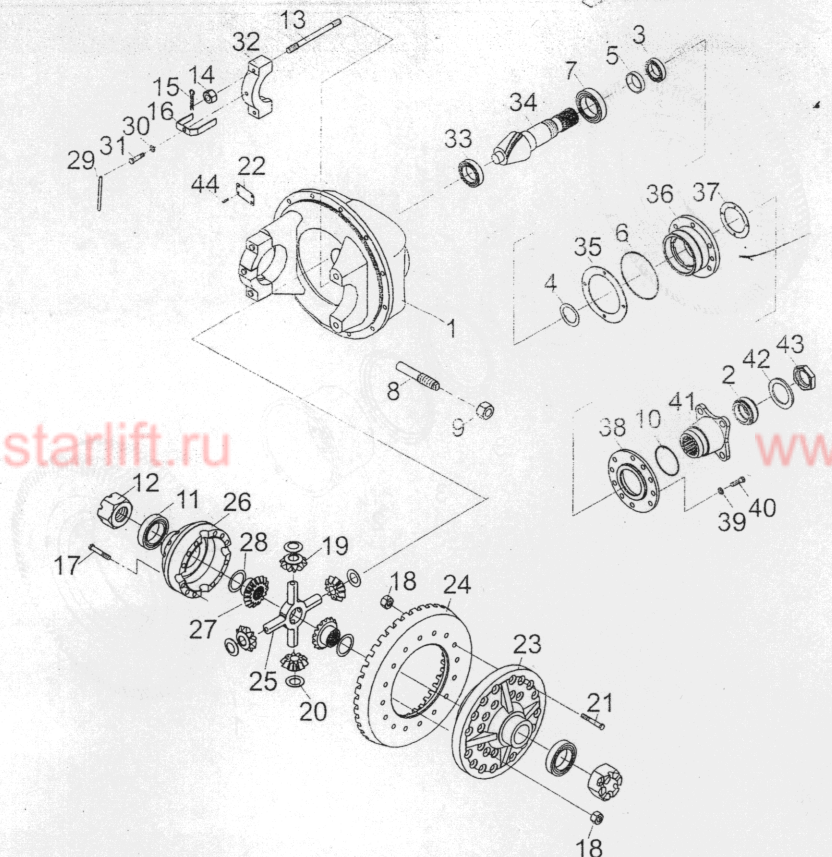
图39/FIG39

减速器和差速器/REDUCTION & DIFFERENTIAL

C15

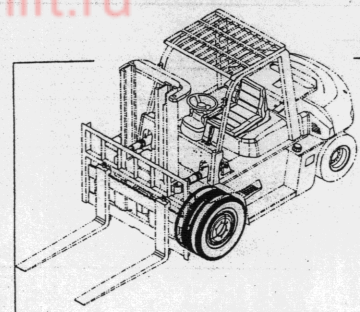


序号 Item No	图号 Part No	零部件名称 Description	件数 Qty	备注 Remark	CPCD80,100
30	B5050-00010	Washer, lock	垫圈10	2	GB93-87
31	B0220-10020	Bolt	螺栓M10X20	2	GB5782-86
32	13913-52051	Cap	轴承盖	2	
33	Z-32306	Bearing taper roller	滚珠轴承	1	GB283-87
34	15803-52011	Pinion drive	主动螺旋伞齿轮	1	
35	REF336791	Washer, thrust	调整垫片	AR	
36	15783-52051	Case	轴承座	1	
37	15783-52071	Packing	衬垫	1	
38	15783-52061	Retainer oil seal	油封座	1	
39	B5050-00014	Washer, lock	垫圈14	6	GB93-87
40	B0430-14050	Bolt	螺栓M14X1.5X50	6	GB5785-86
41	15783-52081	Flange	凸缘	1	
42	15783-52091	Washer	垫圈	1	
43	15783-52101	Lock nut	锁紧螺母	1	



C





C16

驱动轮/DRIVE WHEEL

图40/FIG40

CPCD80,100

序号 Item No	图号 Part No	零部件名称 Description	件数 Q'ty	备注 Remark
01	Z3005-90020	Tire 轮胎9.00-20-14PR	4	GB/T2982-2001
02	25904-40302	Rim ass'y 轮辋总成	4	含03 Inc.03
03	FJ70T-17002G	Snap, ring 挡圈7.00T-20	4	

C

