

图19/FIG. 19

驱动桥/DRIVE AXLE

CPC,CPCD20,25,30,35

序号 Item No	图号 Part No	零部件名称 Description	件数 Qty	备注 Remark
01	A22A3-02041	Housing, axle	1	2t,2.5t
-	A22J3-02021	Housing, axle	1	3t
-	A01A3-00202	Housing, axle	1	3.5t
02	24453-02121G	Retainer, oil seal	2	油封挡圈
03	Z6311-10014	Seal, oil	2	U型密封圈FB100X125X12D
04	22493-00030G	Retainer	2	挡油圈
05	22493-00020G	Washer	2	备用垫
06	Z-30214E	Bearing	2	轴承30214E GB/T297-94
07	B3120-10030	Pin	1	销B10×30 GB119-86
08	22673-02031	Drum, brake	2	2t,2.5t 单胎Single tyre
-	22673-02031G2	Drum, brake	2	2t,2.5t 双胎Double tyre
-	24453-02131	Drum, brake	2	3t,3.5t
09	A22A3-02011	Hub, front	2	2t,2.5t 单胎Single tyre
-	A22A3-02071	Hub, front	2	2t,2.5t 双胎Double tyre
-	24453-02031G	Hub, front	2	3t,3.5t
10	23453-02071	Oil seal ass'y	2	轴承油封总成
11	23453-02091	Packing	2	垫
12	B4732-00060	Nut	4	螺母M60×2 GB810-88
13	B5512-00060	Washer	2	垫圈60 GB888-88
14	HRH24C3001 H24C3-02001	Shaft, drive	2	2t,2.5t
-	HRH24C3001 H24N3-02001	Shaft, drive	2	3t,3.5t
15	A22A3-02031	Packing	2	半轴垫
16	24453-02061	Bolt	24	螺栓
17	22253-02063	Breather, air	1	透气塞
18	22193-03001	Flug	3	堵塞
19	A22A3-02051	Bolt	12	螺栓
20	25953-72001	Bolt	4	螺栓
21	B4223-00020	Nut	12	螺母M20×1.5 GB6171-86
22	REF206486 24353-72001	Bolt	12	2t,2.5t 单胎Single tyre
-	REF206486 25303-02102	Bolt	12	3t,3.5t 单胎Single tyre

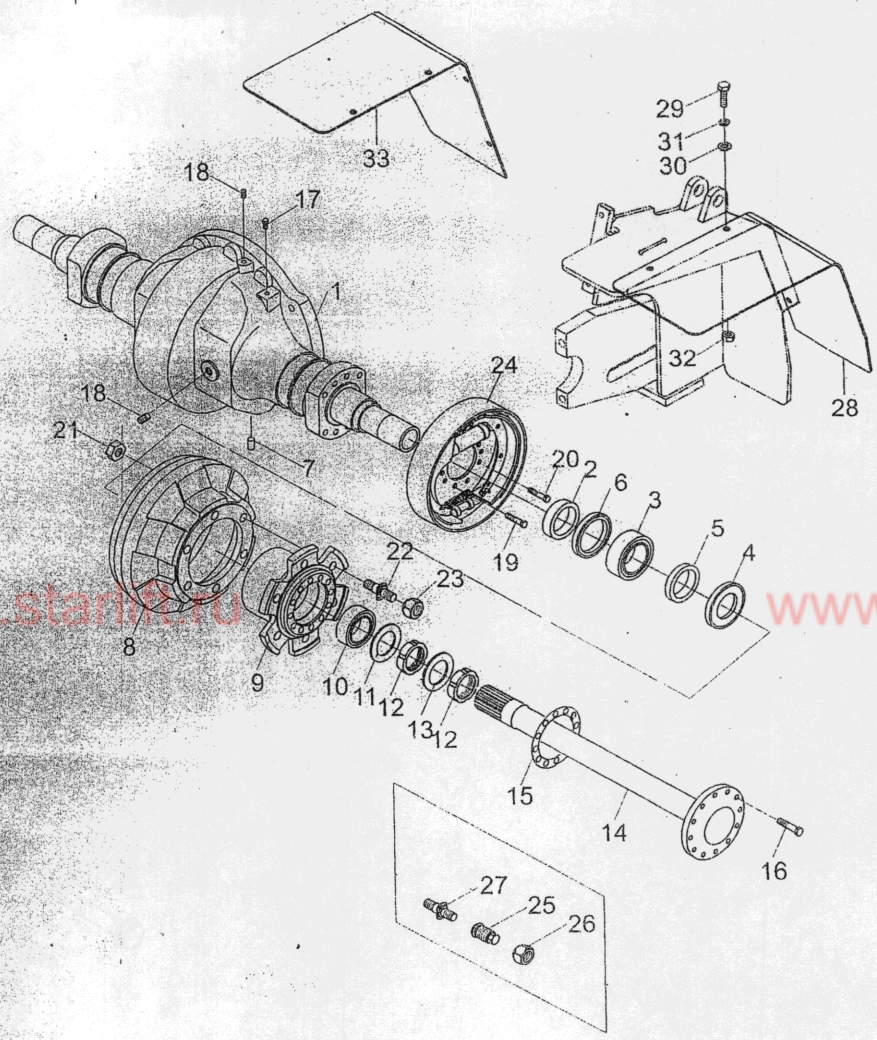


图19/FIG. 19

驱动桥/DRIVE AXLE

CPC, CPCD20, 25, 30, 35

序号 Item No	图号 Part No	零件名称 Description	件数 Q'ty	备注 Remark
23	24354-32311	Nut	12	2t, 2.5t 单胎 Single tyre
-	23913-02041	Nut	12	3t, 3.5t 单胎 Single tyre
24	REF000560	Wheel brake	2	2-2.5t see Fig. 24
-	REF000567	Wheel brake	2	3t, 3.5t see Fig. 25
25	24463-00050G	Nut, hub	12	3t, 3.5t 双胎 Double tyre
-	24463-00050G2	Nut, hub	12	2t, 2.5t 双胎 Double tyre
26	24463-00060G	Nut, hub	12	3t, 3.5t 双胎 Double tyre
-	24463-00060G2	Nut, hub	12	2t, 2.5t 双胎 Double tyre
27	24463-00040G	Bolt, hub	12	3t, 3.5t 双胎 Double tyre
-	24353-72001G2	Bolt, hub	12	2t, 2.5t 双胎 Double tyre
28	A22A3-02061*L	Fender	1	
29	B0110-10035	Bolt	8	双胎 Double tyre GB5781-86
30	B5910-00010	Washer	8	双胎 Double tyre GB5287-85
31	B5050-00010	Washer, lock	8	双胎 Double tyre GB93-87
32	B4116-00010	Nut	8	双胎 Double tyre GB6170-86
33	A22A3-02061*R	Fender	1	

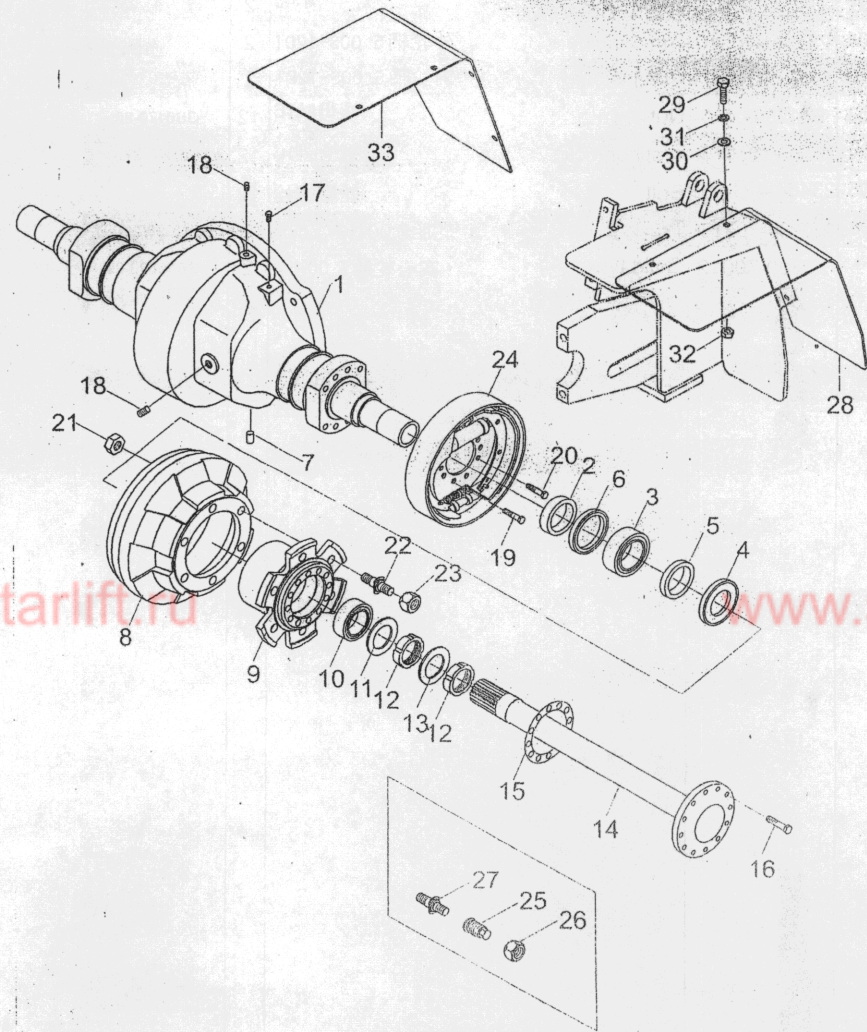


图20/FIG. 20

序号 Item No	图号 Part No	零部件名称 Description	件数 Q'ty	备注 Remark
A	HRA20A4401	Front wheel	2	车轮
01	23454-42091G	Rim, outside	2	外轮辋 5.00S-12DT
02	23454-42021G	Rim, inside	2	内轮辋 5.00S-12DT
03	B4123-00016	Nut	12	螺母M16 GB6170-86
04	B5050-00016	Washer, lock	12	垫圈16 GB893-87
05	23454-42101G	Bolt	12	轮辋螺栓
06	Z3004-70012	Tyre	2	轮胎7.00-12-12PR GB/T2982-2001
-	Z3200-70012	Solid tyre	2	实心轮胎7.00-12 GB10823-89

CPC, CPCD20, 25

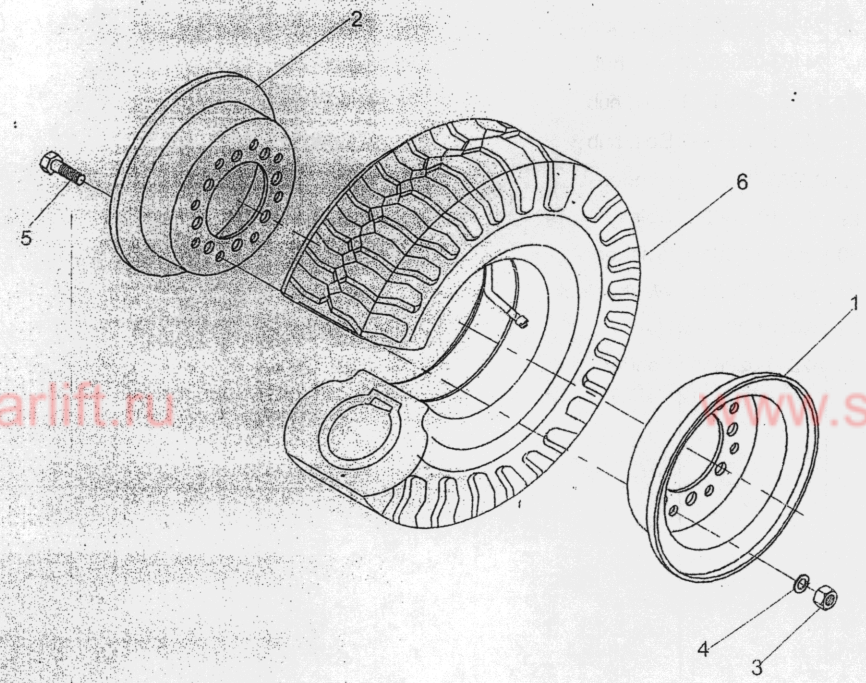


图21/FIG. 21

驱动轮 (2t, 2.5t双胎)/DRIVE WHEEL (DOUBLE TYRE)

序号 Item No	图号 Part No	零部件名称 Description	件数 Q'ty	备注 Remark
01	Z3004-70012	Tyre 轮胎7.00-12-12PR	4	GB/T2982-2001
-	Z3200-70012	Solid tyre 实心轮胎7.00-12	4	GB10823-89
A	22493-02001G	Wheel rim ass'y(Inc.2,4,5) 外轮辋总成	2	
B	22493-01000G2	Wheel rim ass'y(Inc.3,4,5) 内轮辋总成	2	
02	22493-02100G2	Wheel rim 外轮辋体	2	
03	22493-01100G2	Wheel rim 内轮辋体	2	
04	22493-01010G2	Lock ring 锁圈	4	
05	22493-01020G2	Snap ring 挡圈	4	
06	25783-02240	Pipe 充气接管	2	
07	24493-04000G	Bracket 支架	2	左右对称各一 Left & right types

CPC,CPCD20,25

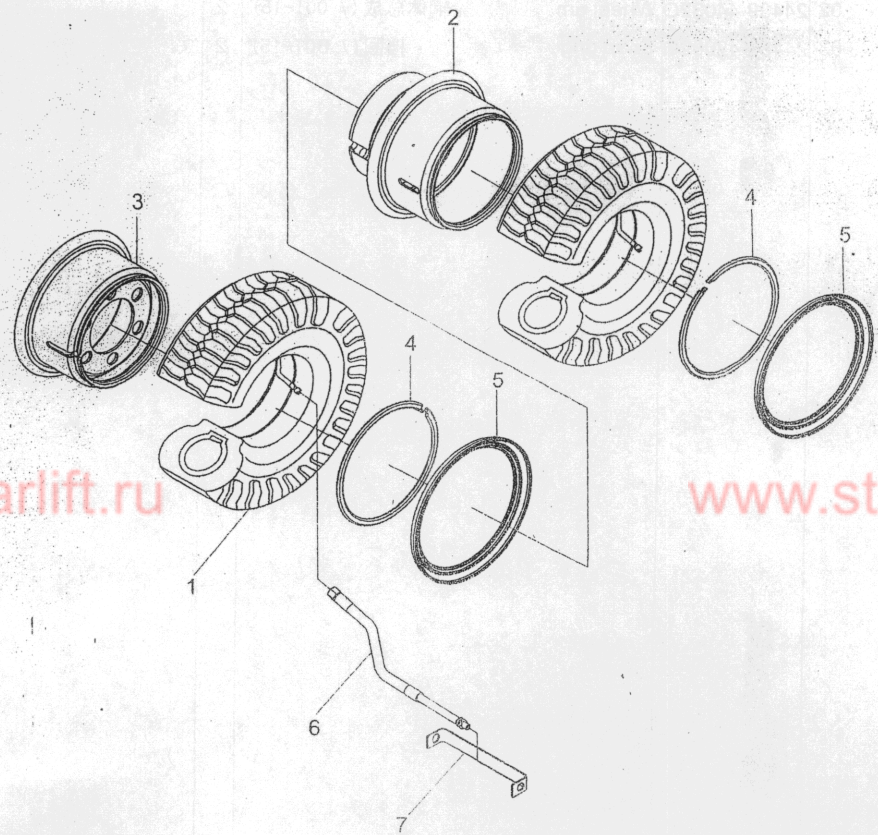


图22/FIG. 22

驱动轮(3t, 3.5t单胎)/DRIVE WHEEL(SINGLE TYRE)

序号 Item No	图号 Part No	零部件名称 Description	件数 Q'ty	备注 Remark	CPC, CPCD30,35
01	Z3104-90015	Tyre 轮胎28X9-15-12PR	2	GB/T2982-2001	
-	Z3300-90015	Solid tyre 实心轮胎28X9-15	2	GB10823-89	
A	24454-40222G	Wheel rim ass'y(Inc.2,3) 轮辋总成	2		
02	24439-44032G	Wheel rim 轮辋体总成(7.00T-15)	2		
03	24454-42002G	Snap ring 挡圈(7.00T-15)	2		

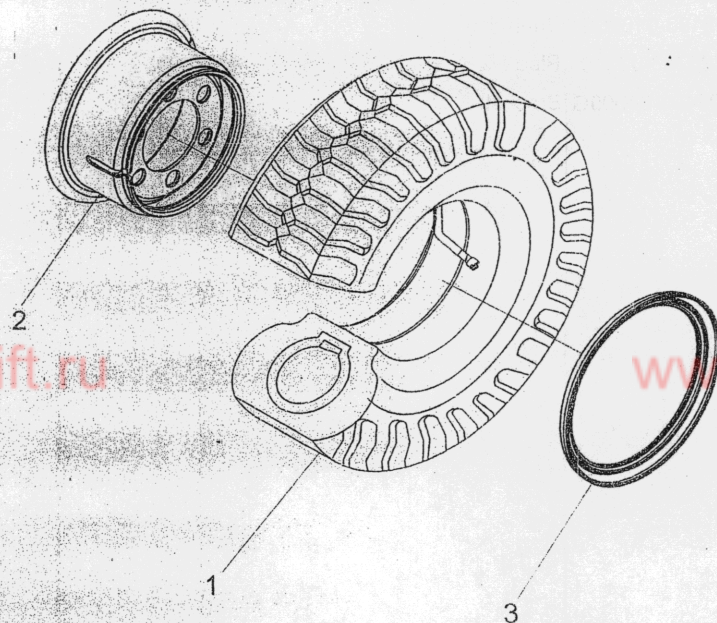


图23/FIG. 23

驱动轮 (3t, 3.5t双胎)/DRIVE WHEEL (DOUBLE TYRE)

CPC,CPCD30,35

序号 Item No	图号 Part No	零部件名称 Description	件数 Q'ty	备注 Remark
01	Z3104-90015	Tyre 轮胎28X9-15-12PR	4	GB/T2982-2001
-	Z3300-90015	Solid tyre 实心轮胎28X9-15	4	GB10823-89
A	24454-40222G	Wheel rim ass'y(Inc.2,4) 轮辋总成	2	
B	54456-80221G	Wheel rim ass'y(Inc.3,4) 双胎轮辋总成	2	
02	24439-44032G	Wheel rim 轮辋体总成(7.00T-15)	2	
03	24463-01000G	Wheel rim 轮辋总成(7.00T-15)	2	
04	24454-42002G	Snap ring 挡圈(7.00T-15)	4	
05	25783-02240	Pipe 充气接管	2	
06	24493-04000G	Bracket 支架	2	左右对称各一 Left & right types

