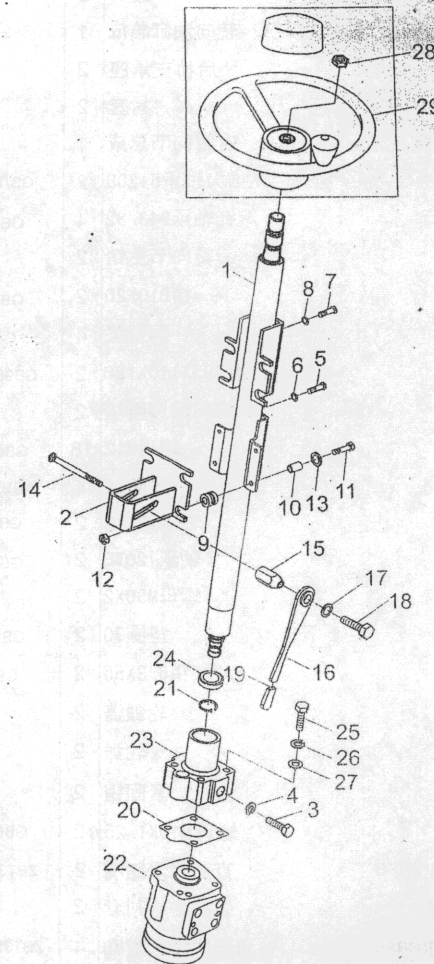


图27/FIG. 27

转向系统/STEERING SYSTEM

序号 Item No	图号 Part No	零部件名称 Description	件数 Q'ty	备注 Remark	CPC, CPCD20, 25, 30, 35
A	A22A4-10005	Steering system 转向系统	1		
01	A22A4-10305	Column ass'y 转向管柱总成	1		
02	A22A4-10505	Bracket 支架	1		
03	24624-12001G	Bolt 螺栓	2		
04	B5050-00016	Washer, lock 垫圈16	2	GB93-87	
05	B1710-3P914	Screw 螺钉ST3. 9x14-C-H	4	GB845-85	
06	B5310-00004	Washer 垫圈4	4	GB97.1-85	
07	B1210-06010	Screw 螺钉M6x10	4	GB818-85	
08	B5050-00006	Washer, lock 垫圈6	4	GB93-87	
09	A22A4-12101	Sleeve, rubber 橡胶套	8		
10	A22A4-12111	Sleeve 套管	8		
11	B0222-06035	Bolt 螺栓M6x35	8	GB5782-86	
12	B4118-00006	Nut 螺母M6	8	GB6170-86	
13	A22A4-12121	Washer 垫圈	8		
14	A22A4-12131	Bolt 螺栓	1		
15	A22A4-12141	Nut 螺母	1		
16	A22A4-12302	Lever ass'y 手柄总成	1		
17	B5210-00010	Washer 垫圈10	1	GB96-85	
18	B0220-10016	Bolt 螺栓M10x16	1	GB5782-86	
19	A22A4-12171	Sleeve 手柄套	1		
20	22494-01020G	Shim 调整垫	2		
21	B6152-00020	Snap ring 挡圈20	1	GB894.1-85	
22	BZZ1-125	Orbitrol 摆线全液压转向器125ml/r	1		
23	22494-01010G	Flange 连接法兰盘	1		
24	Z-8104	Bearing 轴承8104	1		
25	B0232-10055	Bolt 螺栓M10x55	4	GB5782-86	
26	B5050-00010	Washer, lock 垫圈10	4	GB93-87	
27	B5310-00010	Washer 垫圈10	4	GB97.1-85	
28	B4435-00016	Nut 螺母M16x1.5	1	GB6170-86	
29	A22A4-11102	Handel shaft ass'y \varnothing 360叉车转向盘总成	1		



序号 Item No	图号 Part No	零部件名称 Description	件数 Q'ty	备注 Remark
01	A21B4-30201	Axle ass'y 转向桥体总成	1	
02	A21B4-32081A	Link 连杆	2	
03	A21B4-30401	Power cylinder ass'y 转向油缸总成	1	See Fig.30
04	A21B4-32171	Support 后桥支承座	2	
05	A21B4-32181	Bushing 衬套	2	
06	H24C4-32182	Knuckle R.H. ass'y 右转向节总成	1	
07	Z-51208	Bearing 推力轴承51208	2	GB/T301-93
08	Z-943/32	Bearing 滚针轴承943/32	4	GB290-89
09	A21B4-32221	Pin,king 转向节主销	2	
10	B3120-10020	Pin 销B10X20	2	GB119-86
11	A21B4-32251	Shim 调整垫	4	
12	Z6301-08524	U-ring U型密封圈B85X110X12D	2	GB9677.1-88
13	22214-30321	Shim 转向节调整垫	2	
14	B4323-00012	Nut 螺母M12	18	GB6172-86
15	B5310-00014	Washer 垫圈14	4	GB97.1-85
16	Z-7211E	Bearing 轴承7211E	2	GB297-84
17	Z-7207E	Bearing 轴承7207E	2	GB297-84
18	A21B4-32311	Nut 螺母M30X2	2	
19	B5310-00030	Washer 垫圈30	2	GB97.1-85
20	B3010-63055	Pin 销6.3X55	2	GB92-86
21	A21B4-32231	Cap 轮毂盖	2	
22	A21B4-32241	Hub 轮毂	2	
23	20314-30161	Pin 紧固销	2	
24	B4223-00010	Nut 螺母M10X1.25	2	GB6171-86
25	Q700B01	Fitting grease 直通式滑脂嘴	2	ZBT3001.1-88
26	A21B4-12001	Bushing 衬套	2	
27	Q700B06	Fitting grease 直通式滑脂嘴M6	4	ZBT33001.1-88
28	H24C4-32172	Knuckle R.H. ass'y 左转向节总成	1	
29	B0220-14045	Bolt 螺栓M14X45	4	GB5782-86
30	B5050-00014	Washer,lock 垫圈14	4	GB93-87

CPC, CPCD20,25,30,35

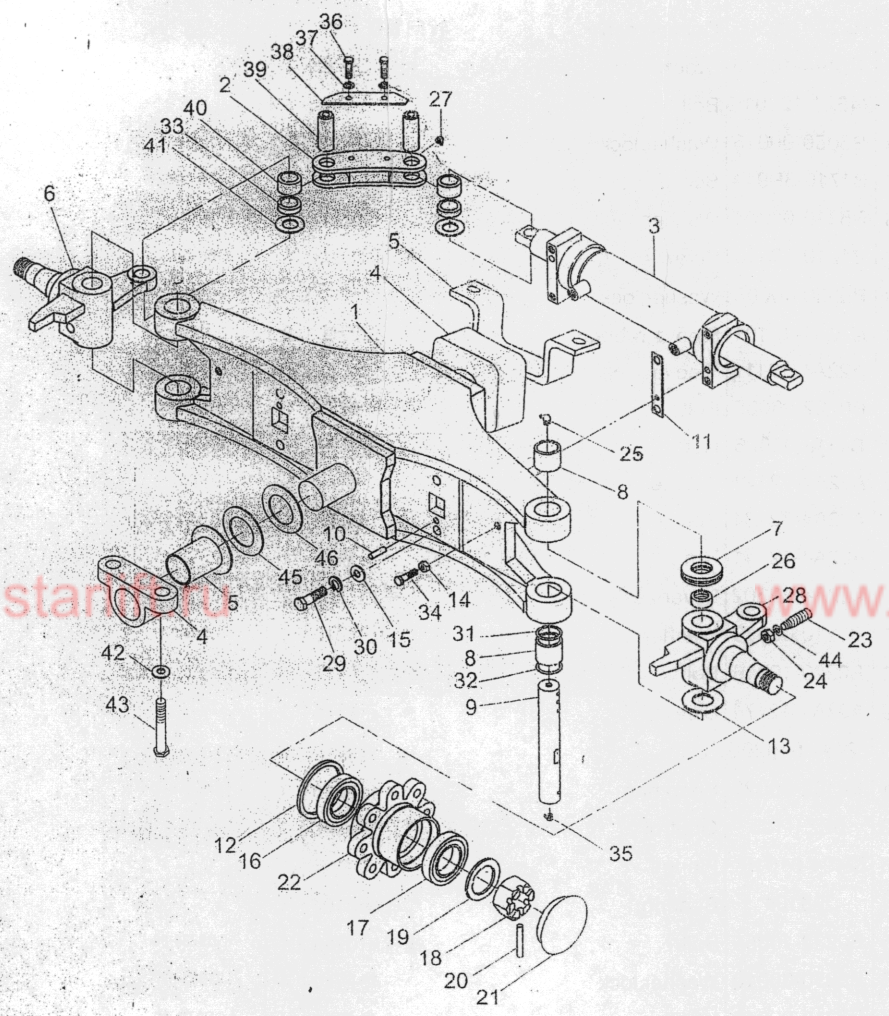


图28/FIG. 28

CPC,CPCD20,25,30,35

序号 Item No	图号 Part No	零部件名称 Description	件数 Q'ty	备注 Remark
31	23654-32161	O-ring	0形圈	2
32	23654-32081	Seal,oil	油封	2
33	H24C4-12003	Bushing	衬套	4
34	B0220-12030	Bolt	螺栓M12X30	2 GB5782-86
35	Q701B90	Fitting grease	弯颈式滑脂嘴Z1/8"	2 ZBT33001.2-88
36	B0230-08015	Bolt	螺栓M8X15	4 GB5782-86
37	B5050-00008	Washer,lock	垫圈8	4 GB93-87
38	A21B4-32300	Baffle	挡板	2
39	A21B4-32261A	Pin	连杆销	4
40	H24C4-32061	Bearing	ES型向心关节轴承	4
41	A21B4-32281	Shim	调整垫	4
42	B5050-00014	Washer,lock	垫圈14	4 GB93-87
43	B0230-14045	Bolt	螺栓M14x45	4 GB5782-86
44	B5310-00010	Bolt	垫圈10	2 GB97.1-85
45	A21B4-32291	Shim	垫片80.5	4
46	A21B4-32301	Shim	垫片82	2

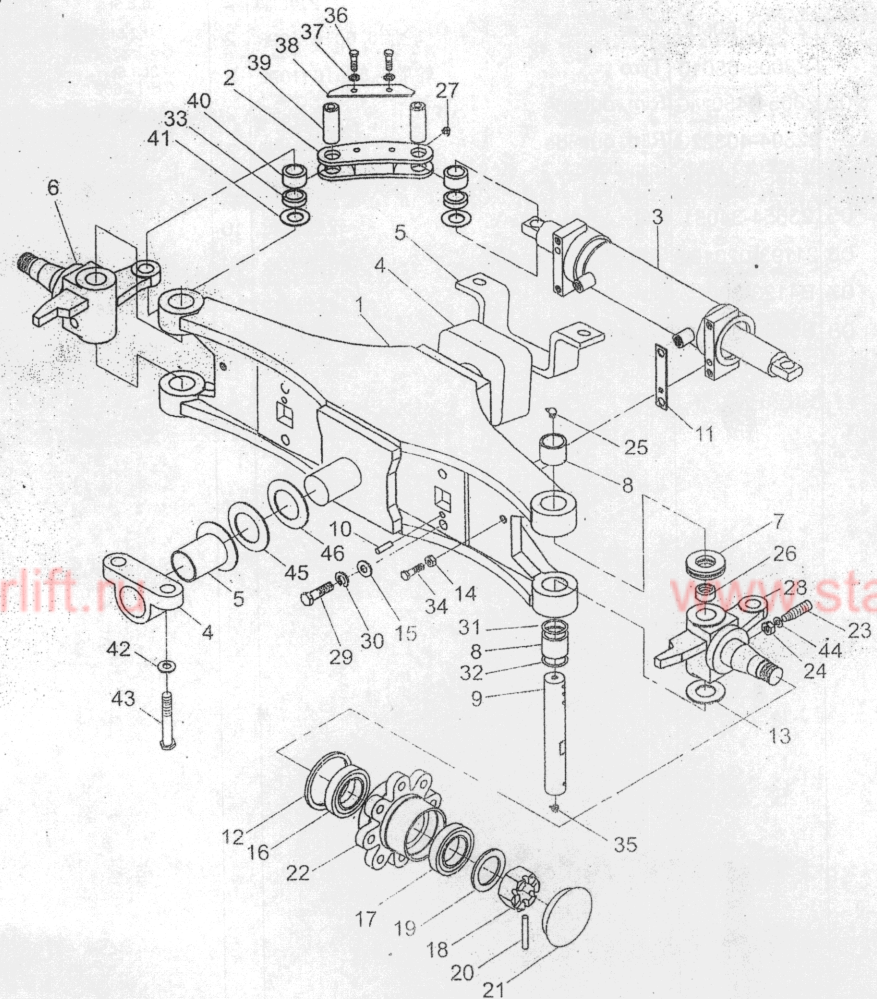


图29/Fig. 29

转向轮/STEERING WHEEL

序号 Item No	图号 Part No	零部件名称 Description	件数 Q'ty	备注 Remark
01	23654-43001G	Rim, inside 内轮辋	2	2-2.5t
-	22304-40312G	Rim, inside 内轮辋	2	3t,3.5t
02	Z3003-60009	Tyre 轮胎6.00-9-10PR	2	2t,2.5t GB/T 2982
-	Z3003-65010	Tyre 轮胎6.50-10-10PR	2	3t,3.5t GB/T 2982
03	23654-43011G	Rim, outside 外轮辋	2	2-2.5t
-	22304-40322G	Rim, outside 外轮辋	2	3t,3.5t
04	23654-32041	Bolt 轮毂螺栓	16	
05	23654-34051	Nut 轮毂螺母	16	
06	21193-02010G	Bolt 轮辋螺栓	16	
07	B4123-00012	Nut 螺母M12	16	GB6170-86
08	B5050-00012	Washer 垫圈12	16	GB93-87

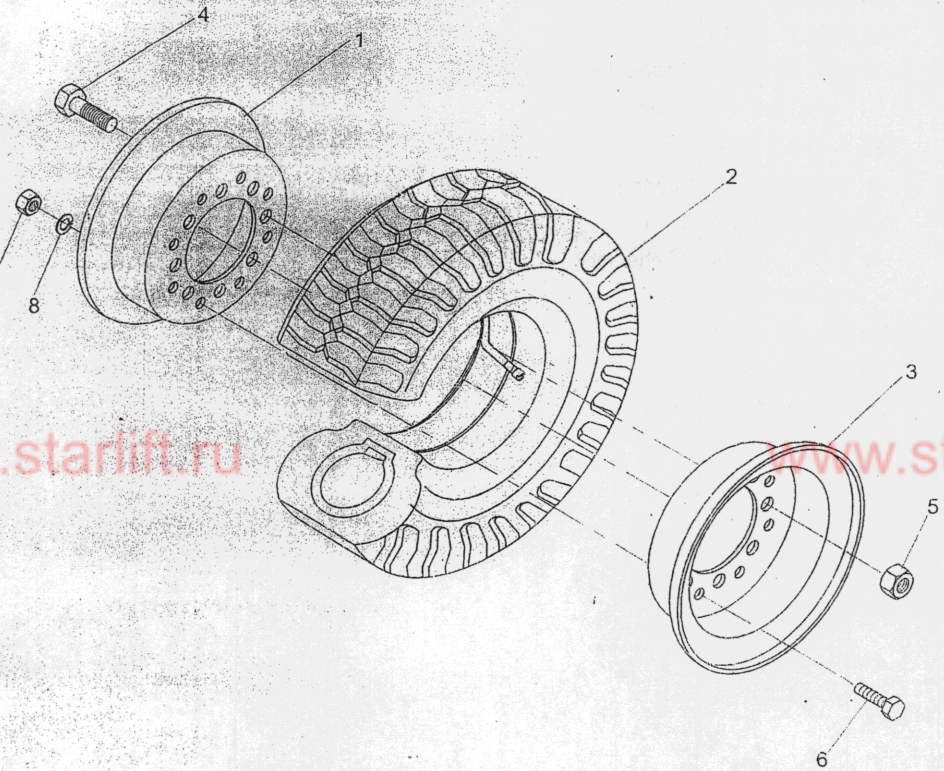


图30/FIG. 30

转向油缸/STEERING CYLINDER

CPC, CPCD20, 25, 30, 35

序号 Item No	图号 Part No	零部件名称 Description	件数 Q'ty	备注 Remark
A	A21B4-30401	Power cylinder	1	转向油缸
01	H24C4-52113	Piston rod	1	活塞杆总成
02	A21B4-32151	Cap	2	缸盖
03	A21B4-30501	Cylinder body	1	缸体
04	Z6053-06003	O-ring	1	0型密封圈60x3.55 GB3452.1-92
05	H24C4-52171	Seal, slipper	1	支承环
06	Z2114-05030	Bushing	2	钢背轴承5030
07	Z6003-07003	O-ring	2	0型密封圈70x3.1 GB1235-76
08	A21B4-32141	Bushing	2	轴套
09	REF340213 24328-52201	U-ring	2	U密封圈50x65x9
10	A21B4-32161	Shim	2组	垫片
11	REF341310 24329-45581	Seal, dust	2	防尘圈50x72x11
12	24328-52211	Ring	2	挡片

