

操纵杆总成 (二片) / VALVE CONTROL LINKAGE (TWO-THROW)

CPC,CPCD20,25,30,35

序号 Item No	图号 Part No	零部件名称 Description	件数 Q'ty	备注 Remark
01	HRA22A7406 214A7-42001	Knob, lift	升降手柄 1	
02	HRA22A7402 A22A7-40201	Lever, lift	升降阀杆 1	
03	HRA22A7404 A22A7-42081	Bracket, valve lever	阀杆支架 1	
04	23457-42101	Bushing	衬套 2	
05	B0220-08020	Bolt	螺栓M8×20 4	GB5782-86
06	B5050-00008	Washer, lock	垫圈8 4	GB93-87
07	B5210-00008	Washer	垫圈8 4	GB97.1-85
08	22517-40051	Shim	垫片 2	
09	HRA22A7402 A22A7-40301	Lever, tilt	倾斜阀杆 1	
10	22717-40061	Pin	销钉 4	
11	B5050-00005	Washer, lock	垫圈5 4	GB93-87
12	B3011-02012	Pin, cotter	开口销∅2×12 4	GB91-86
13	B1110-60012	Bolt	螺钉M6×12 4	GB67-85
14	23647-40041*	Shaft, valve	连接轴 1	
15	A22A7-42321	Joint	连接杆 2	
16	HRA20A7302 A20A7-30421	Control valve	多路阀 1	
17	HRA22A7406 214A7-42011	Knob, tilt	倾斜手柄 1	

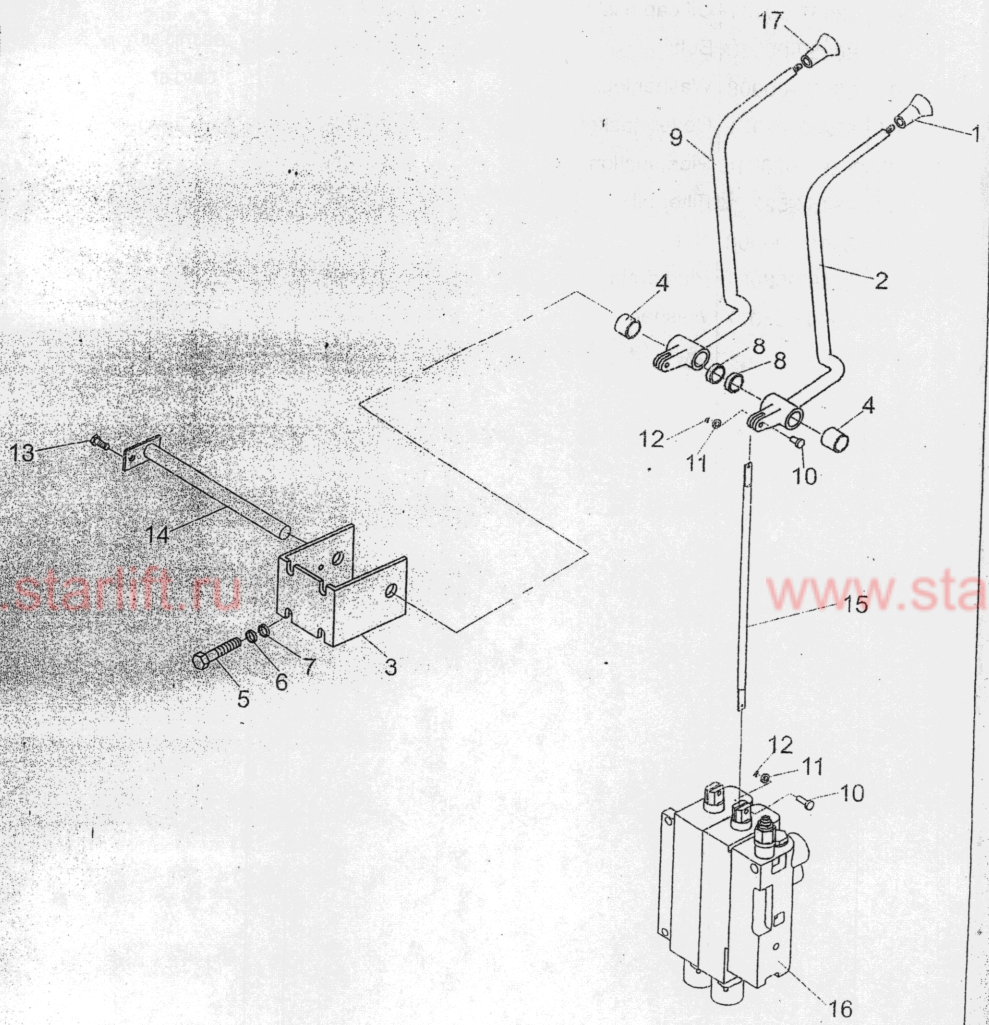


图41/FIG. 41

操纵杆总成 (三片) / VALVE CONTROL LINKAGE (THREE-THROW)

CPC,CPCD20,25,30,35

序号 Item No	图号 Part No	零部件名称 Description	件数 Q'ty	备注 Remark
01	HRA22A7406 214A7-42001	Knob, lift	1	升降手柄
02	HRA22A7402 A22A7-40201	Lever, lift	1	升降阀杆
03	HRA22A7404 A22A7-42091	Bracket, valve lever	1	阀杆支架
04	23457-42101	Bushing	3	衬套
05	B0220-08020	Bolt	4	螺栓M8×20
06	B5050-00008	Washer, lock	4	垫圈8
07	B5210-00008	Washer	4	垫圈8
08	22517-40051	Shim	4	垫片
09	HRA22A7402 A22A7-40301	Lever, tilt	1	倾斜阀杆
10	22717-40061	Pin	6	销钉
11	B5050-00005	Washer, lock	6	垫圈5
12	B3011-02012	Pin, cotter	6	开口销Ø2×12
13	B1110-60012	Bolt	1	螺钉M6×12
14	23647-40041*2	Shaft, valve	1	连接轴
15	A22A7-42321	Joint	3	连接杆
16	HRA20A7302 A20A7-30431	Control valve	1	多路阀
17	HRA22A7406 214A7-42011	Knob, tilt	1	倾斜手柄
18	HRA22A7402 A22A7-40401	Lever, third	1	第三片阀杆
19	HRA22A7406 514A2-72401	Knob	1	手柄
20	23657-42131	Coller	1	调节套

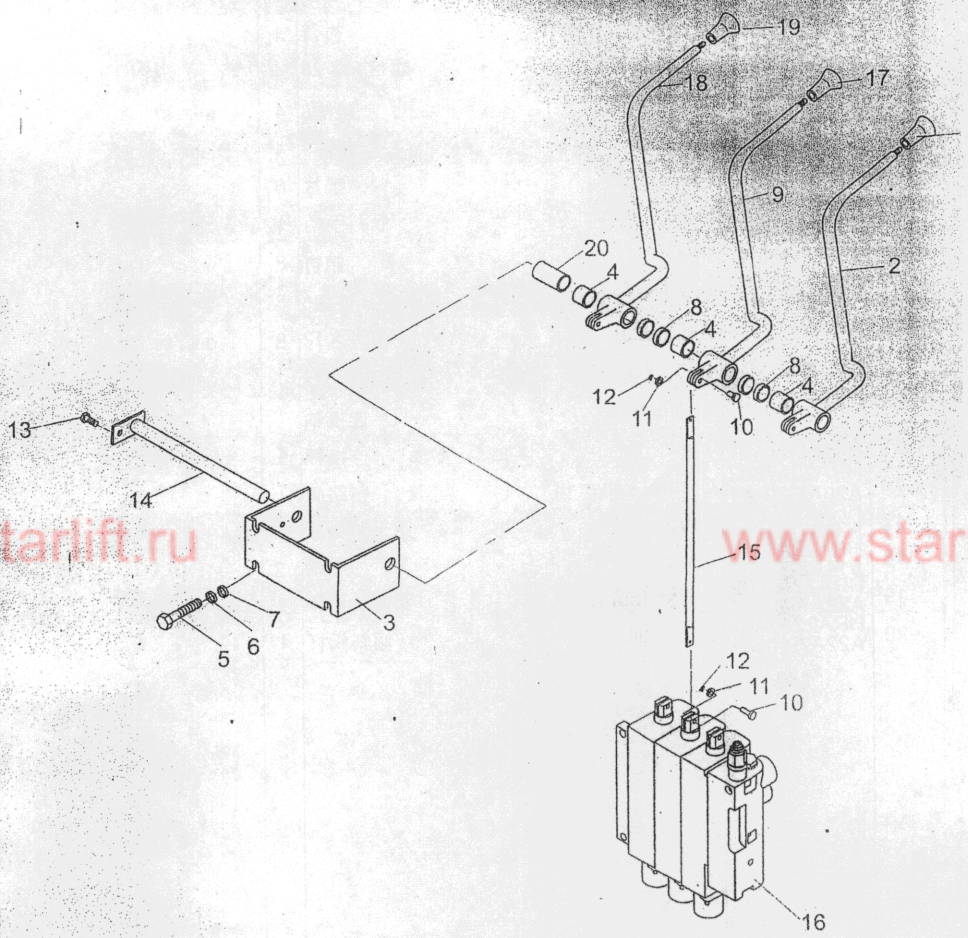
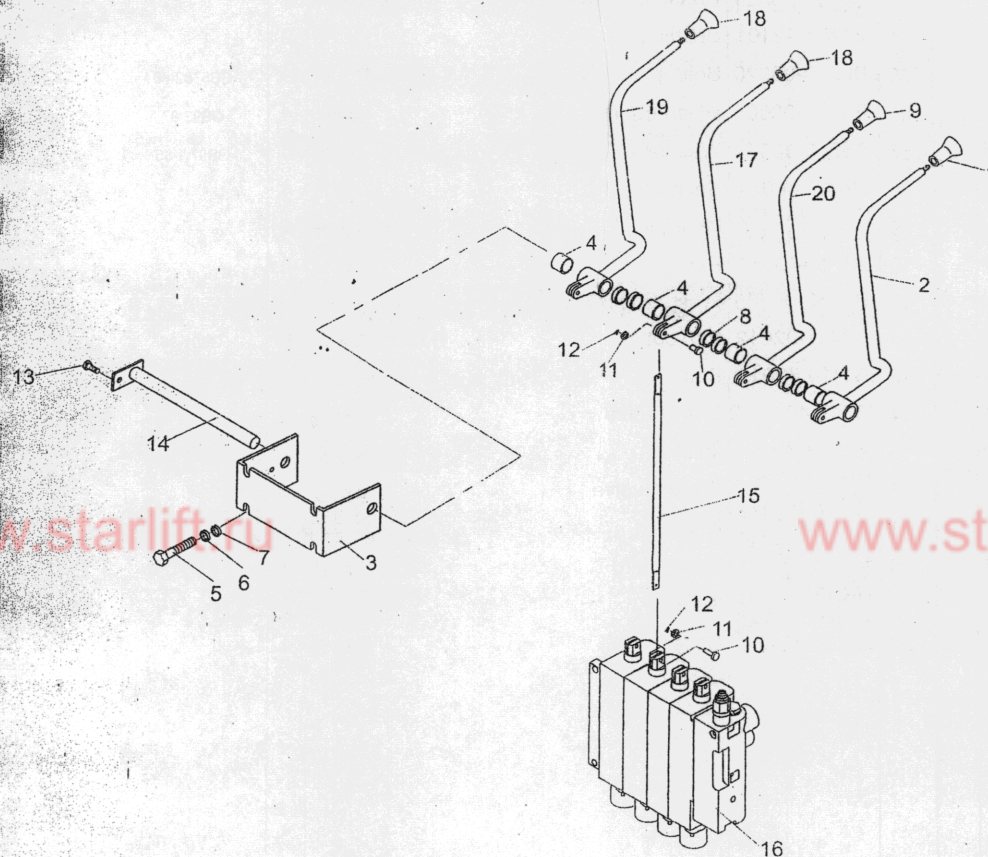


图 42 / FIG. 42

## 操纵杆总成 (四片) / VALVE CONTROL LINKAGE (FOUR-THROW)

序号 Item No	图号 Part No	零部件名称 Description	件数 Q'ty	备注 Remark	CPC, CPCD20, 25, 30, 35
01	HRA22A7406 214A7-42001	Knob, lift	升降手柄	1	
02	HRA22A7402 A22A7-40201	Lever, lift	升降阀杆	1	
03	HRA22A7404 A22A7-42091	Bracket, valve lever	阀杆支架	1	
04	23457-42101	Bushing	衬套	4	
05	B0220-08020	Bolt	螺栓 M8 × 20	4	GB5782-86
06	B5050-00008	Washer, lock	垫圈 8	4	GB93-87
07	B5210-00008	Washer	垫圈 8	4	GB97-1-85
08	22517-40051	Shim	垫片	6	
09	HRA22A7406 214A7-42011	Knob, tilt	倾斜手柄	1	
10	22717-40061	Pin	销钉	8	
11	B5050-00005	Washer, lock	垫圈 5	8	GB93-87
12	B3011-02012	Pin, cotter	开口销 $\varnothing 2 \times 12$	8	GB91-86
13	B1110-60012	Bolt	螺钉 M6 × 12	1	GB67-85
14	23647-40041*2	Shaft, valve	连接轴	1	
15	A22A7-42321	Joint	连接杆	4	
16	HRA20A7302 A20A7-30441	Control valve	多路阀	1	
17	HRA22A7402 A22A7-40401	Lever, third	第三片阀杆	1	
18	HRA22A7406 514A2-72401	Knob	手柄	2	
19	HRA22A7402 A22A7-40501	Lever, fourth	第四片阀杆	1	
20	HRA22A7402 A22A7-40301	Lever, tilt	倾斜阀杆	1	



序号 Item No	图号 Part No	零部件名称 Description	件数 Q'ty	备注 Remark
01	HRA22A7406 214A7-42001	Knob, lift	升降手柄 1	
02	HRA22A7402 A22A7-40201	Lever, lift	升降阀杆 1	
03	HRA22A7404 A22A7-42101	Bracket, valve lever	阀杆支架 1	
04	23457-42101	Bushing	衬套 5	
05	B0220-08020	Bolt	螺栓 M8 × 20 4	GB5782-86
06	B5050-00008	Washer, lock	垫圈 8 4	GB93-87
07	B5210-00008	Washer	垫圈 8 4	GB97.1-85
08	22517-40051	Shim	垫片 8	
09	HRA22A7402 A22A7-40401	Lever, third	第三片阀杆 1	
10	22717-40061	Pin	销钉 10	
11	B5050-00005	Washer, lock	垫圈 5 10	GB93-87
12	B3011-02012	Pin, cotter	开口销 $\varnothing 2 \times 12$ 10	GB91-86
13	B1110-60012	Bolt	螺钉 M6 × 12 1	GB67-85
14	A22A7-40701	Shaft, valve	连接轴 1	
15	A22A7-42321	Joint	连接杆 5	
16	HRA20A7302 A20A7-30451	Control valve	多路阀 1	
17	HRA22A7406 514A2-72401	Knob	手柄 3	
18	HRA22A7402 A22A7-40501	Lever, fourth	第四片阀杆 1	
19	HRA22A7402 A22A7-40601	Lever, fifth	第五片阀杆 1	
20	HRA22A7402 A22A7-40301	Lever, tilt	倾斜阀杆 1	
21	HRA22A7406 214A7-42011	Knob, tilt	倾斜手柄 1	

