

序号 Item No	图号 Part No	零部件名称 Description	件数 Q'ty	备注 Remark
01	B0330-14030	Bolt	螺栓M14X30	8 GB5783-86
02	B5050-00014	Washer,lock	垫圈14	8 GB93-87
03	B5050-00012	Washer,lock	垫圈12	1 GB93-87
04	HRD20B8206 D20B8-20701	Backrest	挡货架	1 2t,2.5t
-	D28B8-20301	Backrest	挡货架	1 3t
05	B6152-00025	Snap ring	挡圈25	4 GB894.1-86
06	D24C8-20201	Lift bracket	货叉架总成	1 2t,2.5t
-	D24N8-20201	Lift bracket	货叉架总成	1 3t
07	980811N-00	End roller	主滚轮 $\varnothing 119$. 2X55-34	6
08	B5050-00016	Washer,lock	垫圈16	4 GB93-87
09	B6152-00055	Snap ring	挡圈55	6 GB894.1-86
10	22578-22401	Spacing roller	限位滚轮	4
11	B0332-16045	Bolt	螺栓M16X45	4 GB5783-86
12	22679-43761	Shaft,spacing roller	限位滚轮轴	2
13	22679-43831	Washer	垫圈	AR
14	23917-42191	Washer	垫圈	AR
15	B8030-12020	Screw	螺钉M12X20	1 GB70-85

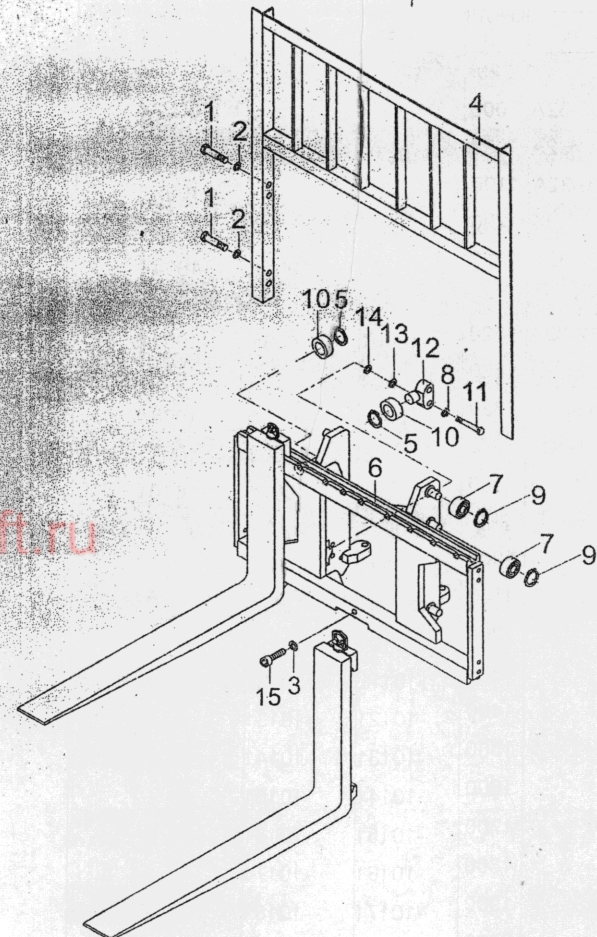
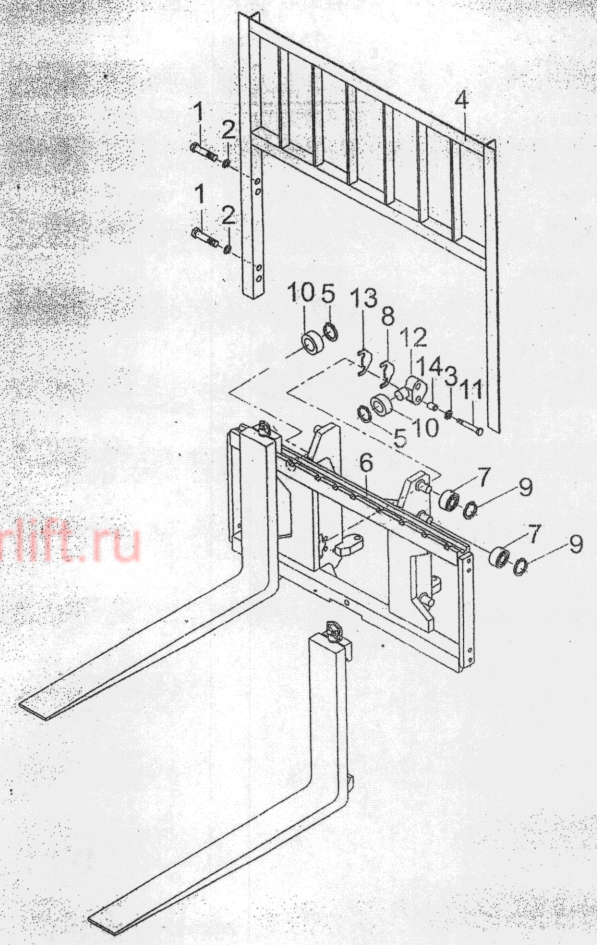


图52/FIG. 52

货叉架 (基本型3.5t) /LIFT BRACKET (NORMAL MAST M)

CPC,CPD35

图号 Part No	零部件名称 Description	件数 Qty	备注 Remark
01 B0330-14030	Bolt 螺栓M14X30	8	GB5783-86
02 B5050-00014	Washer,lock 垫圈14	8	GB93-87
03 B5050-00016	Washer,lock 垫圈16	4	GB93-87
04 HRD30A8203	Backrest 挡货架	1	
05 B6150-00030	Snap ring 挡圈30	4	GB894.1-86
06 D30A8-20211	Lift bracket 货叉架	1	
07 980811N-00	End roller 主滚轮 $\varnothing 119 \times 2 \times 55-34$	6	
08 24609-42151	Shim 调整垫片1	AR	
09 B6150-00055	Snap ring 挡圈55	6	GB894.1-86
10 22198-22341	Retaining roller 滚轮 $\varnothing 91.5$	4	
11 B0430-16065	Bolt 螺栓M16X1.5X65	4	GB5785-86
12 24609-42131	Shaft, side roller 侧滚轮轴	2	
13 24609-42161	Shim 调整垫片0.2	AR	
14 20037-42191	Spacer 垫块3	4	



序号 Item No	图号 Part No	零部件名称 Description	件数 Q'ty	备注 Remark
01	23917-42191	Washer 垫圈	12	
02	B5050-00014	Washer, lock 垫圈14	8	GB93-87
03	B0330-14030	Bolt 螺栓M14X30	8	GB5783-86
04	HRD20B8206 D20B8-20701	Backrest 挡货架	1	
05	B6150-00025	Snap ring 挡圈25	4	GB894 1-86
06	D20L0-60201	Lift bracket 货叉架	1	
07	980811N-00	End roller 主滚轮 $\varnothing 119,2 \times 55-34$	6	
08	B5050-00016	Washer, lock 垫圈16	4	GB93-87
09	B6150-00055	Snap ring 挡圈55	6	GB894 1-86
10	22578-22401	Spacing roller 限位滚轮	4	
11	B0330-16040	Bolt 螺栓M16X40	4	GB5783-86
12	22679-43761	Shaft, spacing roller 限位滚轮轴	2	
13	22679-43831	Washer 垫圈	32	

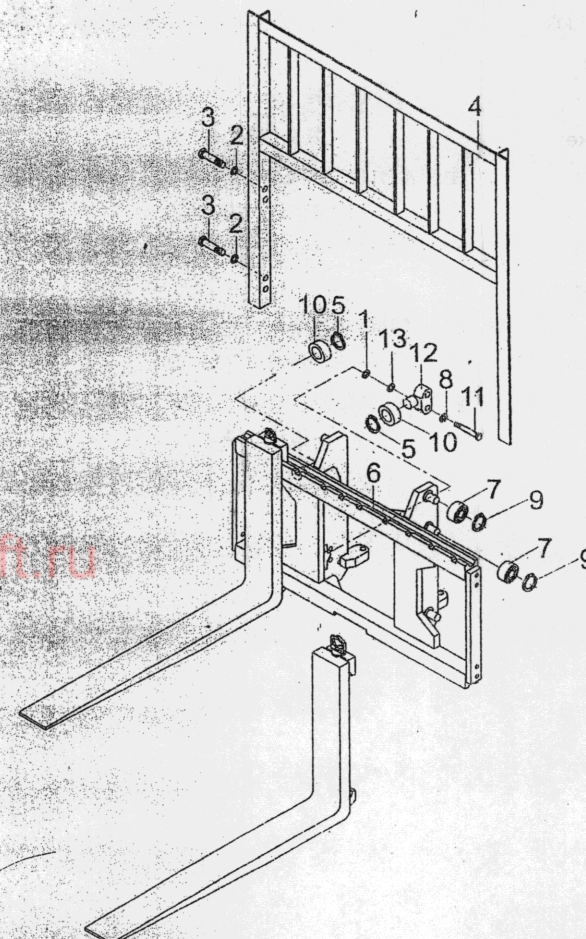
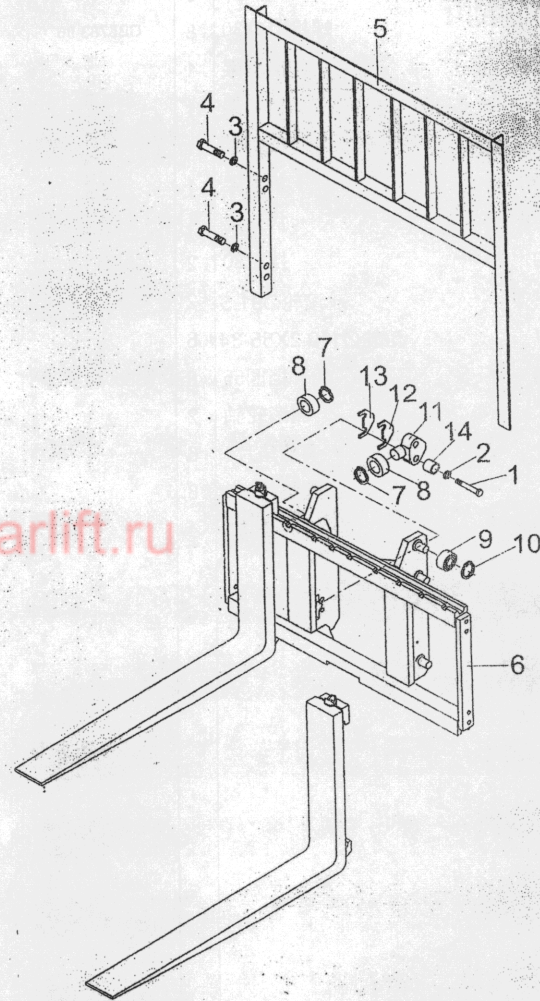


图54 / FIG. 54

货叉架 (二级全自由3t) / LIFT BRACKET (FULL FREE 2-STAGE MAST ZM)

CPC, CPCD30

序号 Item No	图号 Part No	零部件名称 Description	件数 Q'ty	备注 Remark
01	B0330-16040	Bolt 螺栓M16X40	4	GB5783-86
02	B5050-00016	Washer,lock 垫圈16	4	GB93-87
03	B5050-00014	Washer,lock 垫圈14	8	GB93-87
04	B0330-14030	Bolt 螺栓M14X30	8	GB5783-86
05	HRD30A8203 D28B8-20301	Backrest 挡货架	1	
06	D28L0-60201	Lift bracket 货叉架	1	
07	B6150-00030	Snap ring 挡圈80	2	GB894.1-86
08	22198-22341	End roller 180706K 滚轮Ø91.5	2	
09	980811N-00	End roller 滚轮Ø119.2X55-34	6	
10	B6150-00055	Snap ring 挡圈55	6	GB894.1-86
11	24609-42131	Shaft 侧滚轮轴	2	
12	24609-42151	Shim 调整垫片1	6	
13	24609-42161	Shim 调整垫片0.2	8	
14	20037-42191	Shim 垫块3	4	



序号 Item No	图号 Part No	零部件名称 Description	件数 Q'ty	备注 Remark	CPC,CPCD35
01	B0430-16065	Bolt 螺栓M16X1.5X65	4	GB5785-86	
02	B5050-00016	Washer 垫圈16	4	GB93-87	
03	B5050-00014	Washer 垫圈14	8	GB93-87	
04	B0330-14030	Bolt 螺栓M14X30	8	GB5783-86	
05	HRD30A8203 D28B8-20301	Backrest 挡货架	1	标准 STD	
	HRD30A8203 D30A8-20222	Backrest 挡货架	1	选用 Option	
	HRD30A8203 D30A8-20332	Backrest 挡货架	1	选用 Option	
06	HRD30K0601 D30K0-60211	Lift bracket 货叉架	1	标准 STD	
	HRD30K0601 D30K0-60271	Lift bracket 货叉架	1	选用 Option	
07	B6150-00030	Snap ring 挡圈30	2	GB894.1-86	
08	22198-22341	End roller 滚轮Ø91.5	2		
09	980811N-00	End roller 滚轮Ø119.2X55-34	6		
10	B6150-00055	Snap ring 挡圈55	6	GB894.1-86	
11	24609-42131	Shaft 侧滚轮轴	2		
12	24609-42151	Shim 调整垫片1	6		
13	24609-42161	Shim 调整垫片0.2	8		
14	20037-42191	Shim 垫块3	4		

