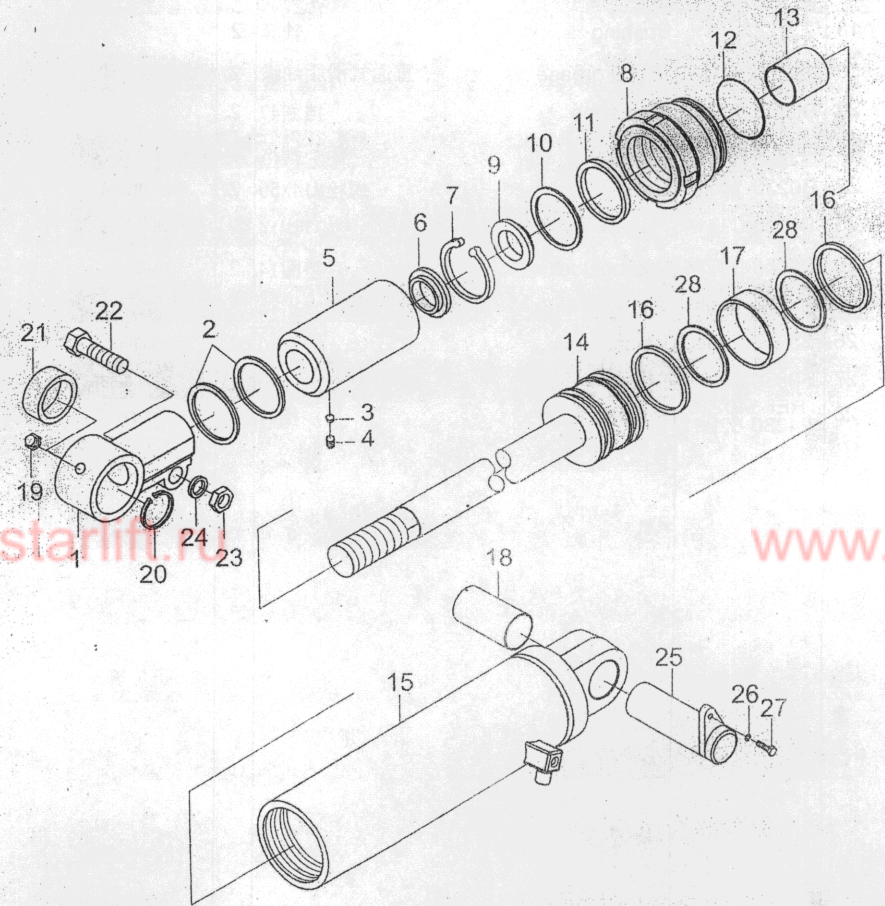


图67/FIG. 67

倾斜油缸/TILT CYLINDER

GPC/PCD20,25,30,35

序号 Item No	图号 Part No	零部件名称 Description	件数 Q'ty	备注 Remark
A	HRD20B8501	Tilt cylinder	2	2t-3t 见选用件表 See op.parts
-	HRD30A8501	Tilt cylinder	2	3.5t 见选用件表 See op.parts
01	D20B8-52011	Ear ring	2	2t-3t
-	D30A8-52011	Ear ring	2	3.5t
02	23658-52101	Shim	12	
03	23658-52401	Plug	2	
04	B1830-10010	Screw	2	GB80-85
05	HRD20B8502	Spacer	2	2t-3t 见选用件表 See op.parts
-	HRD30A8502	Spacer	2	3.5t 见选用件表 See op.parts
06	REF341310 23468-52081	Seal,dust	2	2t-3t
-	REF339093 23650-52871	Seal,dust	2	3.5t
07	B6050-00052	Ring,snap	2	2t-3t GB893.1-85
08	D20B8-52021	Guide sleeve	2	2t-3t
-	D30A8-52021	Guide sleeve	2	3.5t
09	23678-54021	Ring,snap	2	2t-3t
10	REF340216 23678-54001	Ring back-up	2	2t-3t
-	REF340216 23650-52861	Ring back-up	2	3.5t
11	REF340213 22228-50153A	U-ring	2	2t-3t
-	D30A8-53001	U-ring	2	3.5t
12	Z6003-07003	O-ring	2	2t-3t GB1235-76
-	Z6003-08003	O-ring	2	3.5t
13	Z2113-03025	Bushing	2	2t-3t
-	Z2113-03530	Bushing	2	3.5t
14	D20B8-50201	Body,piston ass'y	2	2t-3t
-	D30A8-50201	Body,piston	2	3.5t
15	HRD20B8503 D20B8-50301	Tube,cylinder ass'y R.H.	2	2t-3t
-	HRD30A8503 D30A8-50301	Tube,cylinder ass'y R.H.	2	3.5t
-	HRD20B8503 D20B8-50401	Tube,cylinder ass'y L.H.	2	2t-3t
-	HRD30A8503 D30A8-50401	Tube,cylinder ass'y L.H.	2	3.5t
16	REF340214 23678-55001	U-ring	4	2t-3t



序号 Item No	图号 Part No	零部件名称 Description	件数 Q'ty	备注 Remark	CPC, CPCD20,25,30,35
	REF340214 23458-42241	U-ring U型密封圈70X80X6	4	3.5t	
17	REF341311 23678-52051	Wearing 支承环	2	2t-3t	
	D30A8-52091	Wearing 支承环	2	3.5t	
18	REF340270 63626-23071	Bushing 轴套	2		
19	Q700B01	Fitting grease 直通式滑脂油嘴	2		
20	B6050-00047	Ring, snap 挡圈47	2		
21	D20B8-50211	Bushing 关节轴承	2		
22	B0230-14055	Bolt 螺栓M14X55	2	GB5782-86	
23	B4123-00014	Nut 螺母M14	2	GB6170-86	
24	B5050-00014	Washer, lock 垫圈14	2	GB93-87	
25	HRA22A8309 H22A8-00201	Pin 倾斜缸销轴	2		
26	B5050-00010	Washer, lock 垫圈10	2	GB93-87	
27	B0530-10020	Bolt 螺栓M10X1.25X20	2	GB5786-86	
28	REF340216 24230-82221	Ring back-up 挡片	4	3.5t	

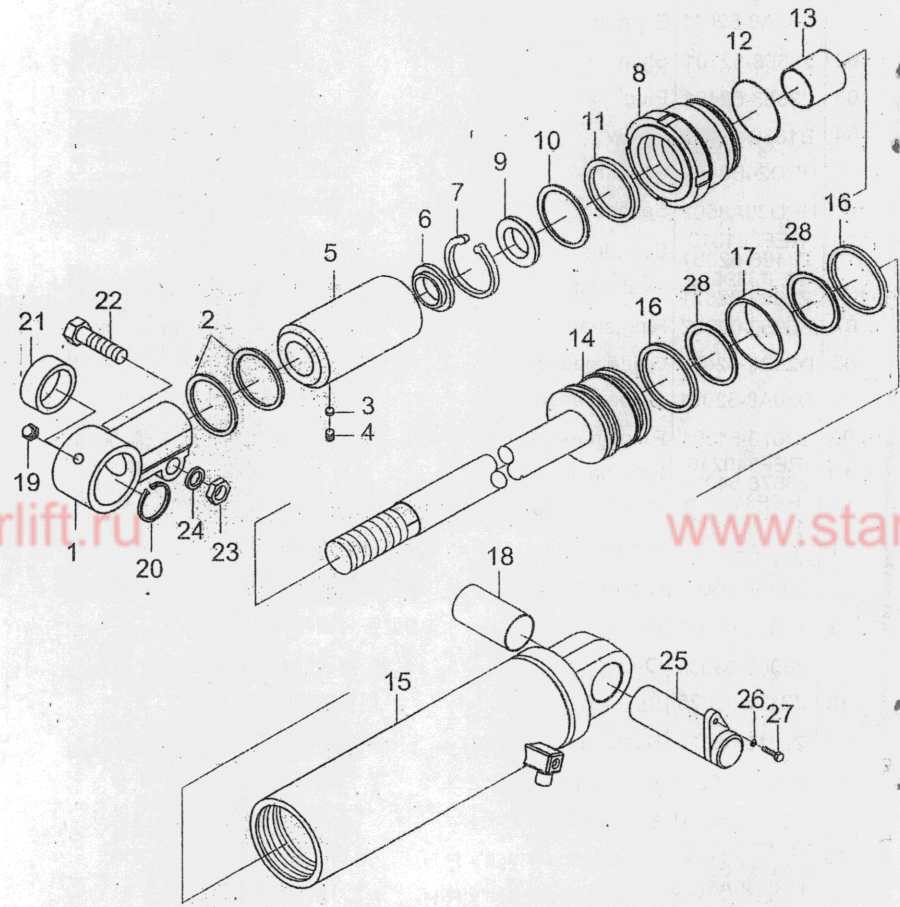


图67/FIG. 67

倾斜油缸/TILT CYLINDER

倾斜油缸选用表 TILT CYLINDER OPTIONAL PARTS

CPC,CPCD20,25,30,35

序号 Item No	A		05	备注
前/后倾角 Tilt angle	倾斜油缸(右) TILT CYLINDER R. H.	倾斜油缸(左) TILT CYLINDER L. H.	调整轴套 Spacer	
6°~12°	D20B8-50001	D20B8-50011		2t~3t
	D30A8-50011	D30A8-50001		3.5t
6°~6°	D20B8-50021	D20B8-50031	HRD20B8502 D20B8-52041	2t~3t
	D30A8-50031	D30A8-50021	HRD30A8502 D30A8-52041	3.5t
3°~6°	D20B8-50041	D20B8-50051	HRD20B8502 D20B8-52041	2t~3t
	D30A8-50051	D30A8-50041	HRD30A8502 D30A8-52041	3.5t
3°~3°	D20B8-50061	D20B8-50071	HRD20B8502 D20B8-52051	2t~3t
	D30A8-50071	D30A8-50061	HRD30A8502 D30A8-52051	3.5t
6°~10°	D20B8-50081	D20B8-50091	HRD20B8502 D20B8-52061	2t~3t
	D30A8-50091	D30A8-50081	HRD30A8502 D30A8-52061	3.5t

