

料号
No.

9879

9851

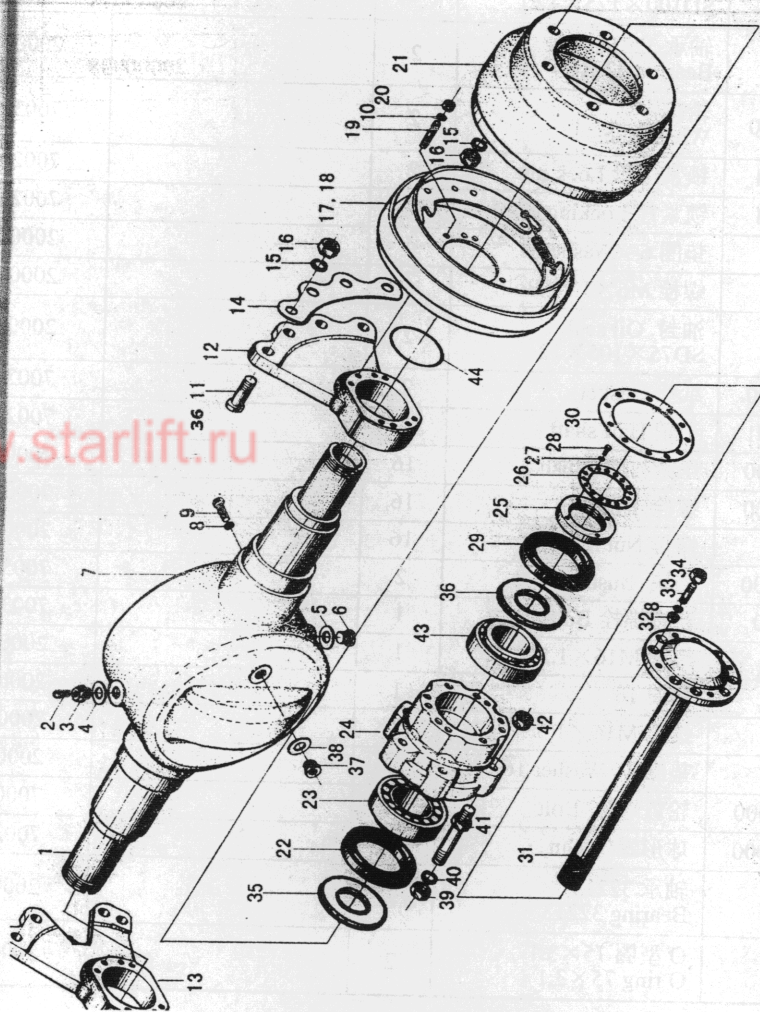
9850

9885

9878

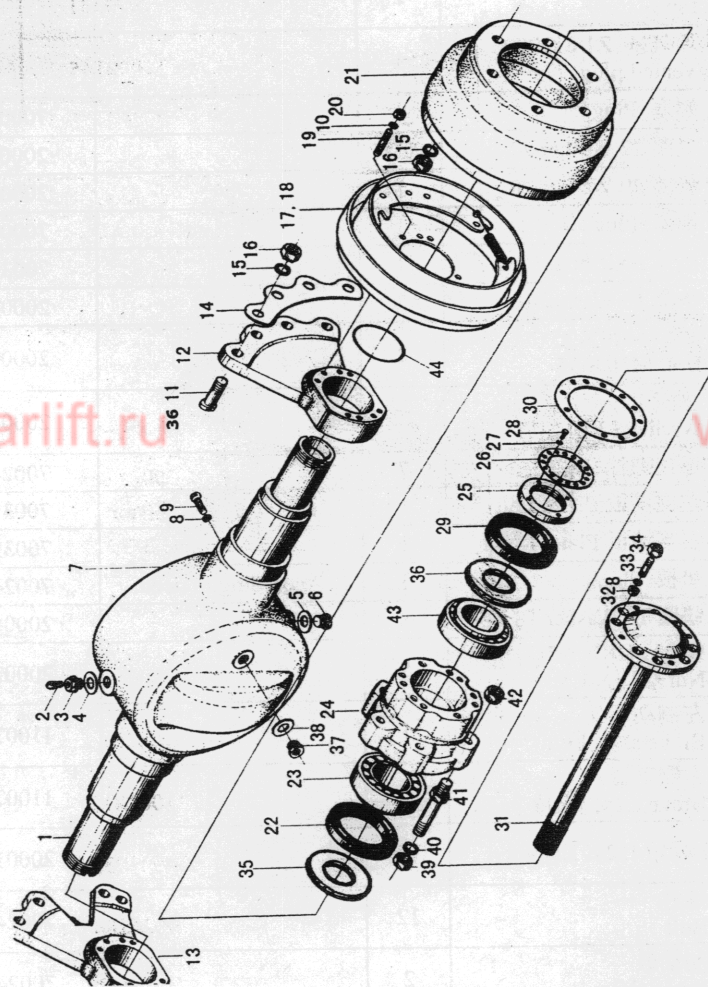
9891

图 4 驱动桥(1-1.8t)
Fig. 4 Drive Axle(1-1.8t)



序号 Item No.	代号 Part No.	名称 Description	数量 Q'ty	备注或适用车型 Remarks or Series No.	物料码 Code No.
1	N030-114002-001	套管 Pipe	2		70024331
2	Q900-Z1/8-G00	通气塞 Z1/8 Q900 Vented plug	1		11000145
3	N163-110017-000	螺塞 Plug	1		70002528
4	JB982-77	垫圈 22 Washer 22	1		20001082
5	JB982-77	垫圈 20 Washer 20	1		20000024
6	N163-110016-000	螺塞 Plug	1		70000020
7	JP150-114000-000	桥体 Axle house	1		70039030
8	GB93-87	垫圈 10 Washer 10	2		20003788
9	GB5783-86	螺栓 M10×35 Bolt M10×35	2		20000090
10	GB93-87	垫圈 12 Washer 12	12		20000001
11	N030-110004-000	连接螺栓 Bolt	7		70024183
12	JP150-110001-000	左支撑板 Plate, Left	1		70039035
13	JP150-110002-000	右支撑板 Plate, Right	1		70039034
14	N030-110003-000	垫板 Shim	1	According to need	70024182
15	GB93-87	垫圈 18 Washer 18	8		20000152
16	GB6171-86	螺母 M18×1.5 Nut M18×1.5	8		20002934
17	N030-111000-G00	左制动器 Brake assy, Left	1		11007812
18	N030-112000-G00	右制动器 Brake assy, Right	1		11007813
19	GB6171-86	螺母 M12×1.5 Nut	12		20001933
20	N030-110005-000	螺柱 Bolt	12		70024184
21	N030-110006-000	制动鼓 Brake drum	2		70024185

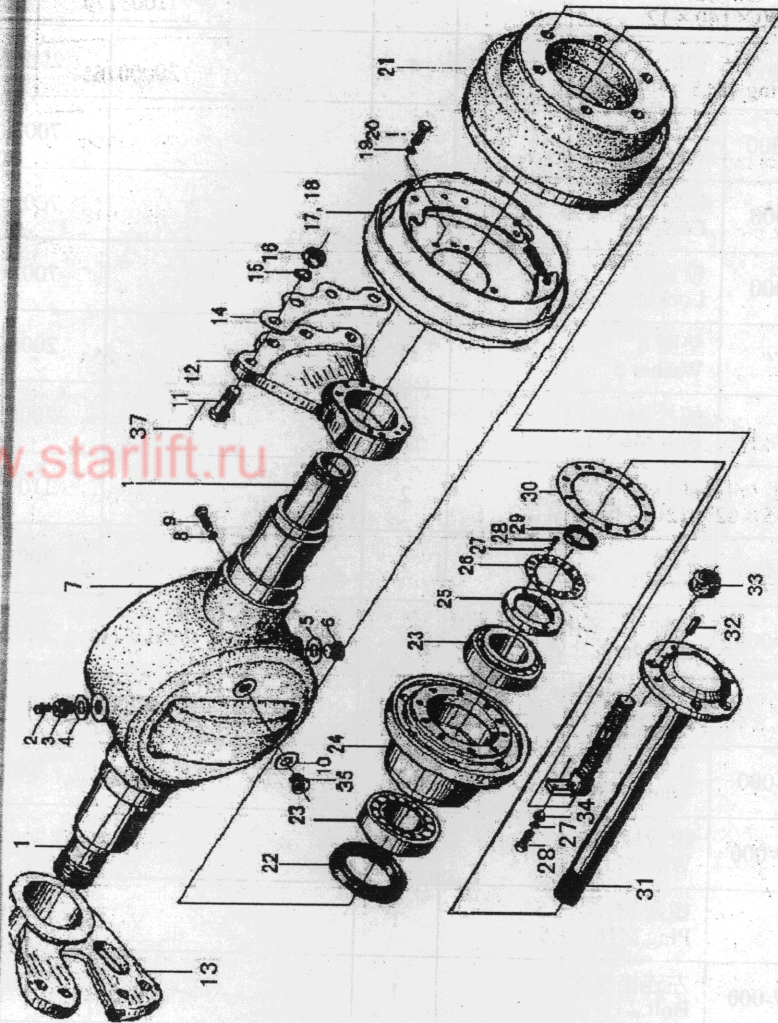
图 4 驱动桥(1-1.8t)
Fig. 4 Drive Axle(1-1.8t)



序号 Item No.	代号 Part No.	名称 Description	数量 Q'ty	备注或适用车型 Remarks or Series No.	物料码 Code No.
22	HG4-692-67	油封 Oil seal SD100×125×12	2		20005075
23	GB/T297-94	轴承 32211 Bearing 32211	2		20000998
24	JP150-110007-000	轮毂 Wheel hub	2		70039032
25	N030-110010-001	锁紧螺母 Lock nut	2		70024189
26	N030-110011-001	锁紧片 Locking shim	2		70024190
27	GB93-87	垫圈 6 Washer 6	4		20000054
28	GB5783-86	螺栓 M6×12 Bolt	4		20000573
29	HG4-692-67	油封 Oil seal SD75×105×12	2		20003756
30	N030-110009-000	纸垫 Gasket	2		70024188
31	N030-110012-001	半轴 Half shaft	2		70024191
32	N030-110016-000	压紧衬套 Bush	16		70001526
33	N030-110008-000	螺栓 Bolt	16		70001527
34	GB6171-86	螺母 Nut M10×1	16		20000287
35	N030-110017-000	挡块 Bush	2		70036708
36	JP150-110006-000	连接螺栓 Bolt	1		70039036
37	JB1000-77	螺塞 M16×1.5	1		20005154
38	JB982-77	垫圈 16	1		20000205
39	GB6171-86	螺母 M16×1.5	12		20000072
40	GB93-87	垫圈 16 Washer 16	12		20000178
41	N030-110008-000	轮毂螺栓 Bolt	12		70001527
42	N163-220010-000	球形螺母 Nut	12		70021955
43	GB/T297-94	轴承 32213 Bearing 32213	2		20001413
44	GB1235-76	O 型圈 75×3.1 O ring 75×3.1	2		20000891

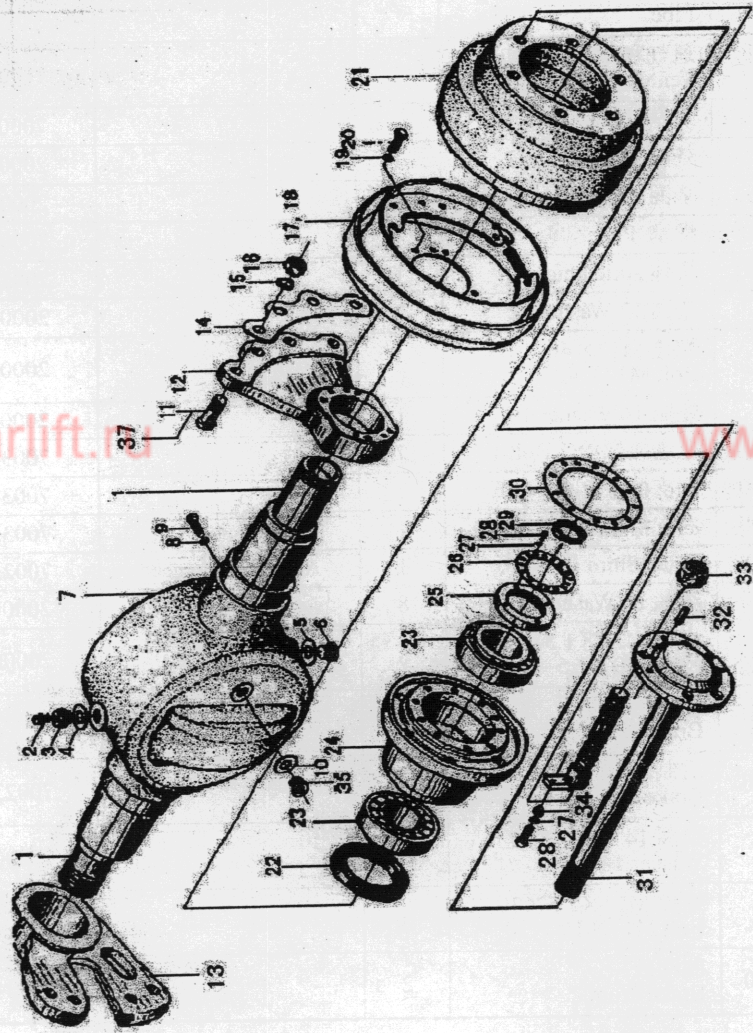
料码
:No.
5075
998
032
489
190
054
573
756
188
191
526
527
87
708
136
54
95
72
78
27
55
13
11

图 5 驱动桥 (2-3.5t)
Fig. 5 Drive Axle(2-3.5t)



序号 Item No.	代号 Part No.	名称 Description	数量 Q'ty	备注或适用车型 Remarks or Series No.	物料码 Code No.
1	N120-114002-000	套管 Pipe	2		70023708
2	Q900-Z1/8-G00	通气塞 Z1/8 Q900 Vented plug	1		11000145
3	N163-110017-000	螺塞 Plug	1		70002528
4	JB982-77	垫圈 22 Washer 22	1		20001082
5	JB982-77	垫圈 20 Washer 20	1		20000024
6	N163-110016-000	螺塞 Plug	1		70000020
7	JP300-112000-000	桥体 Axle house	1		70034394
8	GB93-87	垫圈 12 Washer 12	2		20000001
9	GB5783-86	螺栓 M12×40 Bolt M12×40	2		20000005
10	JB982-77	垫圈 16 Washer 16	1		20000205
11	JP300-110001-000	左连接螺栓 1 Bolt 1	7		70034383
12	JP300-110008-000	左支撑板 Plate, Left	1		70035701
13	JP300-110009-000	右支撑板 Plate, Right	1		70035702
14	N163-110003-000	垫板 Shim	1	According to need	70021913
15	GB93-87	垫圈 20 Washer 20	8		20000115
16	GB6171-86	螺母 M20×1.5 Nut M20×1.5	8		20000200
17	N120-111000-G00	左制动器 Brake assy, Left	1		70023663
18	N120-112000-G00	右制动器 Brake assy, Right	1		70023664
19	GB93-87	垫圈 14 Washer 14	16		20000036
20	GB5786-86	螺栓 M14×1.5×30 Bolt M14×1.5×30	16		20003686
21	JP300-110002-000	制动鼓 Brake drum	2		70034389

图 5 驱动桥(2-3.5t)
Fig. 5 Drive Axle(2-3.5t)



序号 Item No.	代号 Part No.	名称 Description	数量 Q'ty	备注或适用车型 Remarks or Series No.	物料码 Code No.
22	HG4-692-67	油封 Oil seal SD100×140×12	2		11003179
23	N163-110100-G00	轴承 7815 Bearing 7815	4		20000765
24	JP300-110003-000	轮毂 Wheel hub	2		70034390
25	N163-110009-000	锁紧螺母 Lock nut	2		70021919
26	N163-110011-000	锁紧片 Locking shim	2		70021920
27	GB93-87	垫圈 6 Washer 6	16		20000054
28	GB5783-86	螺栓 M6×12 Bolt M6×12	16		20000573
29	HG4-692-67	油封 Oil seal PD45×62×12	2		11000865
30	JP300-110005-000	纸垫 Gasket	2		70034392
31	JP300-110004-000	半轴 Half shaft	2		70034391
32	GB119-86	销 D12×35 Pin D12×35	4		20003783
33	N163-110015-000	轮毂螺母 Wheel hub nut	12		70002524
34	JP300-110100-000	轮毂螺栓 Wheel hub bolt	12		70036042
35	JB1000-77	螺塞 M16×1.5 Plug M16×1.5	1		20005154
37	JP300-110007-000	左连接螺栓 2 Bolt 2	1		70035627