

物料码  
Code No.图 26 驻车制动  
Fig. 26 Parking Brake

70036408

70028978

70036416

70013726

20000287

20000033

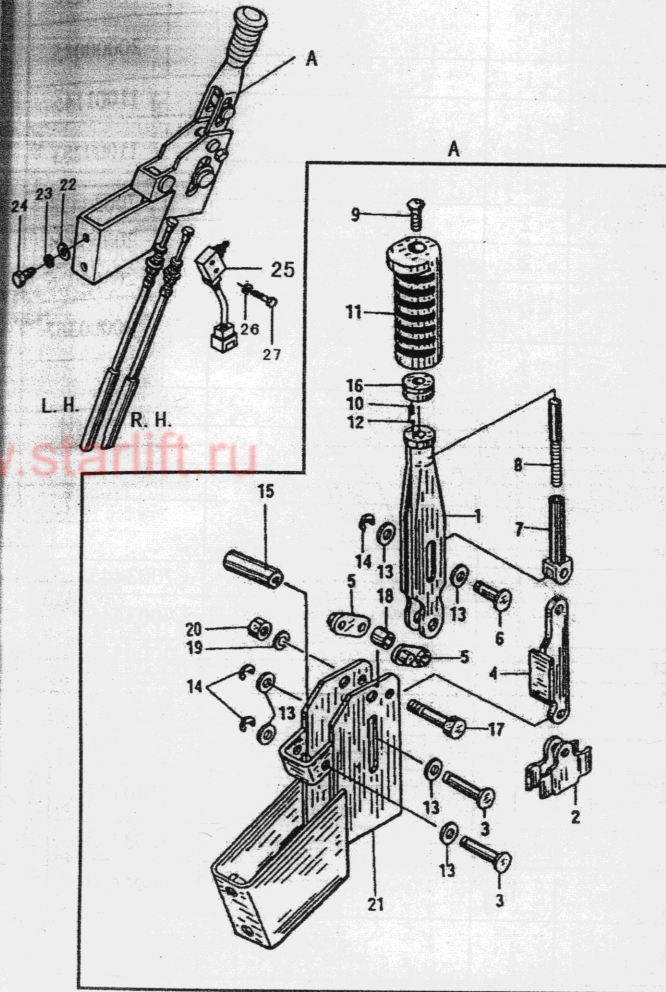
20000031

11001435

70036401

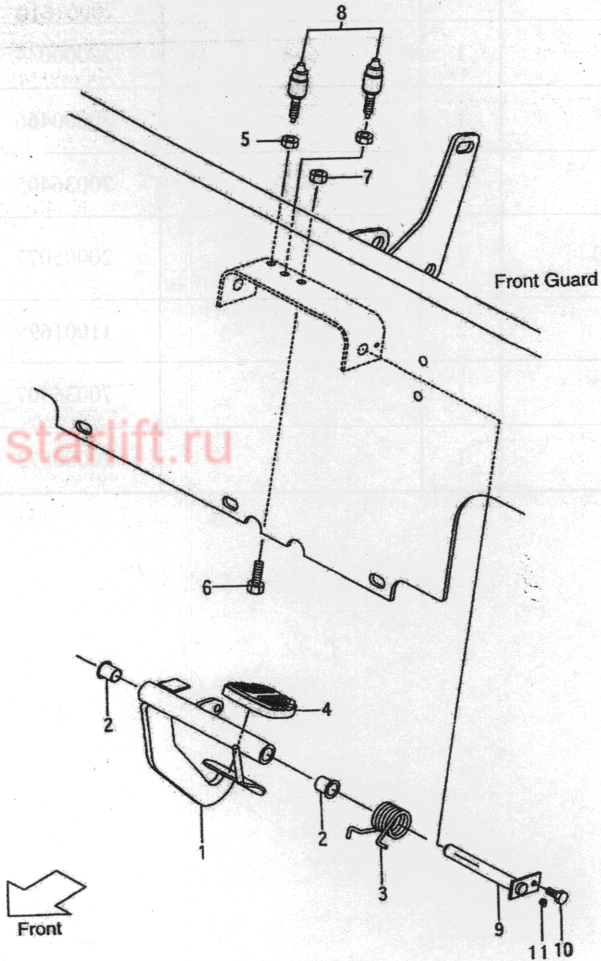
20000573

20001801



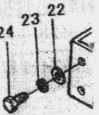
序号 Item No.	代号 Part No.	名称 Description	数量 Q'ty	备注或适用车型 Remarks or Series No.	物料码 Code No.
A	JP300-530000-G00	驻车制动器 Parking brake lever	1		11009866
1	THN-060	闸把体 Lever	1	DO NOT SUPPLY SEPARATELY	1100986601
2	21235-52171G	挂线架 Bracket	1		1100986602
3	THN-070	平头销 Pin	2		1100986603
4	THN-900-00	拉板总成 Link	1		1100986604
5	THN-40-00	支撑板总成 Shaft	1		1100986605
6	THN-070	平头销 Pin	2		1100986606
7	THN-600	拉杆体 Rod	1		1100986607
8	THN-500	螺杆 Stud	1		1100986608
9	THN-111	调节杆 Overhead	1		1100986609
10	THN-200	弹簧 Spring	1		1100986610
11	THN-110	手柄头 Grip	1		1100986611
12	GB308-84	钢球 $\phi 6$ Ball	1		20002386
13	GB97.1-85	垫圈 8 Washer	6		20000034
14	GB896-86	挡圈 8 Ring	3		20003469
15	THN-098A	限位块 Stopper	1		1100986612
16	THN-101	手柄座 Grip seat	1		1100986613
17	GB5785-86	螺栓 M10 $\times$ 45 Bolt	1		20001046
18	25785-52261	垫圈 Spacer	1		1100986614
19	GB93-87	垫圈 10 Washer	1		20000003
20	GB802-88	螺母 M10 Nut	1		20002234
21	THN-050A	支架总成 Bracket	1		1100986615
22	GB97.1-85	垫圈 10 Washer	2		20000686
23	GB93-87	垫圈 10 Washer	2		20000003
24	GB5783-86	螺栓 M10 $\times$ 35 Bolt M10 $\times$ 35	2		20000090
25	14RH-707000	手刹开关总成 Micro-switch assy	1		70017272
26	GB97.1-85	垫圈 3 Washer	2		20000721
27	GB5783-86	螺栓 M3 $\times$ 30 Bolt	2		20002132

图 25 制动踏板  
Fig. 25 Brake Pedal



序号 Item No.	代号 Part No.	名称制动踏板 Description	数量 Q'ty	备注或适用车型 Remarks or Series No.	物料码 Code No.
1	JP300-521000-000	制动踏板 Brake pedal	1		70036408
2	QY110-510001-000	套 Bush	2		70028978
3	JP300-520001-000	扭簧 Spring	1		70036416
4	N163-512001-000	踏板垫 Pedal, Rubber	1		70013726
5	GB6171-86	螺母 M10×1 Nut M10×1	2		20000287
6	GB5783-86	螺栓 M8×30 Bolt M8×30	1		20000033
7	GB6170-86	螺母 M8 Nut M8	1		20000031
8	JK231-G00	制动灯开关 Brake signal switch	2		11001435
9	JP300-522000-000	轴 Shaft	1		70036401
10	GB5783-86	螺栓 M6×12 Bolt M6×12	2		20000573
11	GB1152-89	油杯 M6 Grease nipple M6	2		20001801

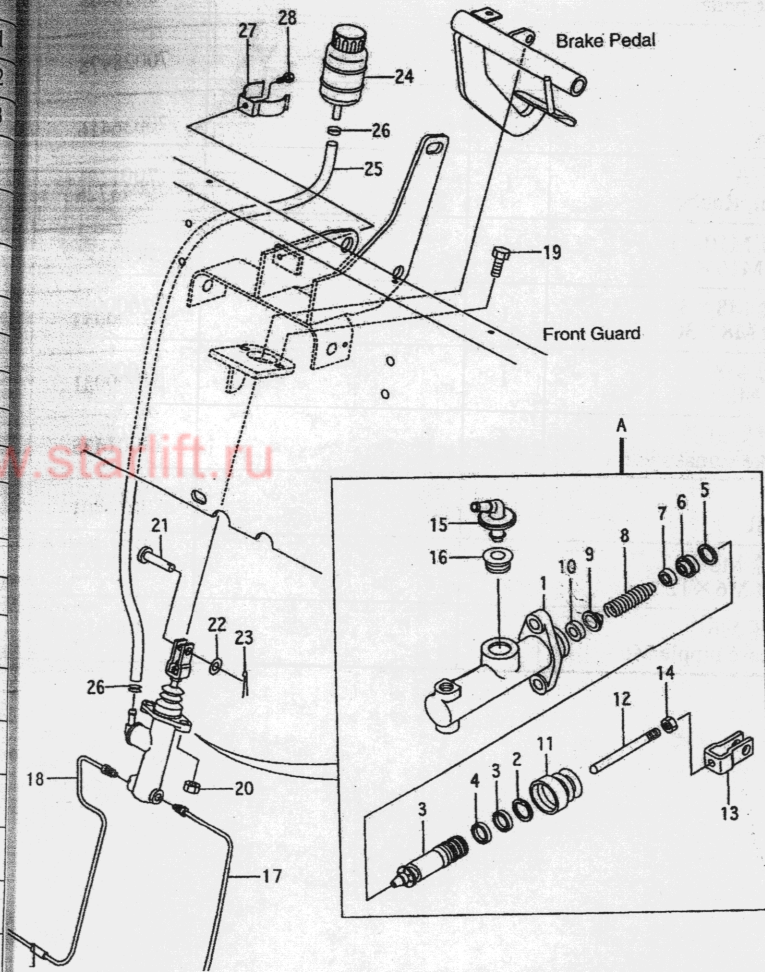
图 26  
Fig. 26



L. H.

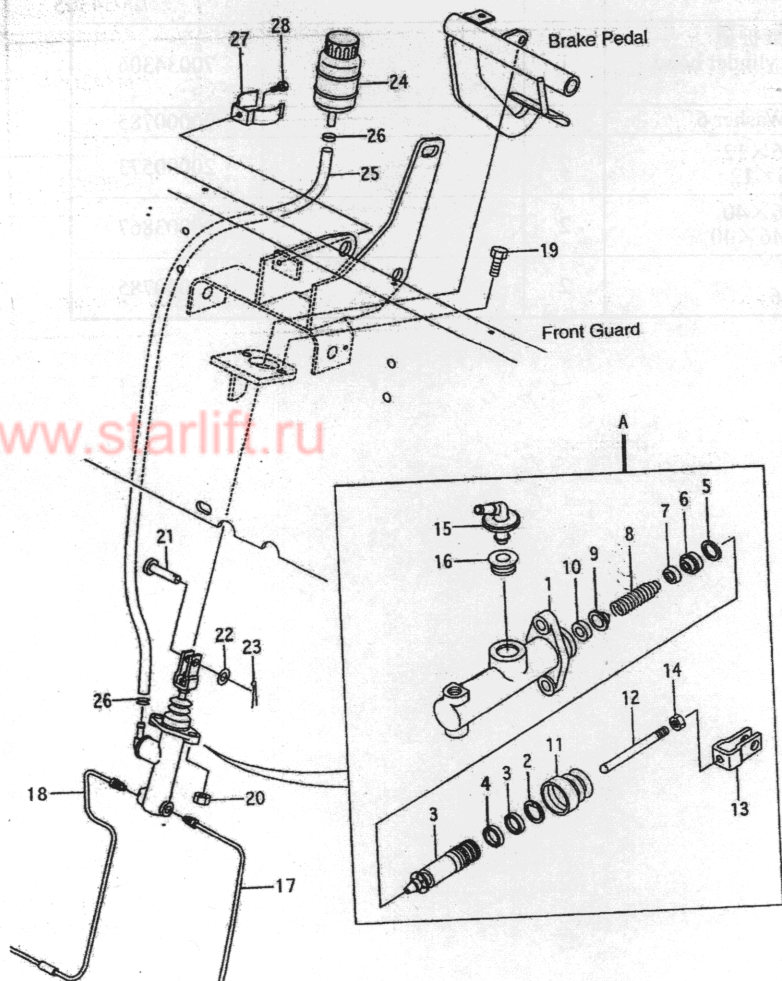
物料码  
Code No.  
70036415  
7003641501  
7003641502  
7003641503  
7003641504  
7003641505  
7003641506  
7003641507  
7003641508  
7003641509  
7003641510  
7003641511  
70036418  
7003641512  
20000031  
7003641513  
7003641514  
0034520  
0034521  
0000090  
0000035  
7003641515

图 24 制动操纵  
Fig-24 Brake control



序号 Item No.	代号 Part No.	名称 Description	数量 Q'ty	备注或适用车型 Remarks or Series No.	物料码 Code No.
21	GB882-86	销 B8×28 Pin B8×28	1		20001610
22	GB97.1-85	垫圈 8 Washer 8	1		20000034
23	GB91-86	开口销 3×20 Pin 3×20	1		20000466
24	JP300-524001-W00	油杯 Oil reservoir	1		70036405
25	GB7127-86	液力制动胶管 φ9.5×17×330 Oil pipe	1		20005077
26	Q672-19-G00	双钢丝环箍 Tube clip	2		11001699
27	JP300-520002-000	支架 Bracket	1		70036407
28	GB5783-86	螺栓 M6×12 Bolt M6×12	1		20000573

图 24 制动操纵  
Fig. 24 Brake control



序号 Item No.	代号 Part No.	名称 Description	数量 Q'ty	备注或适用车型 Remarks or Series No.	物料码 Code No.
A	JP300-525000-000	制动总泵(包括 1-16) Master cylinder	1	Total 1-16	70036415
1	CKM3/4-3505011B	阀体 Cylinder body	1		7003641501
2	Q43022	止动环 Ring, stopper	1		7003641502
3	NO PART NO.	活塞 Piston	1		7003641503
4	NO PART NO.	前皮碗 Cup, secondary	1		7003641504
5	NO PART NO.	衬套皮碗 Spacer, cup	1		7003641505
6	NO PART NO.	主皮碗 Cup, primary	1		7003641506
7	NO PART NO.	弹簧座 Seat, spring	1		7003641507
8	NO PART NO.	弹簧 Spring	1		7003641508
9	CKM3/4-3505040	切断阀 Valve, check	1		7003641509
10	CKM3/4-3505012	阀座 Seat, valve	1		7003641510
11	CKM3/4-3505015	保护罩 Boots	1		7003641511
12	JP300-523001-000	推杆 Rod, push	1		70036418
13	NO PART NO.	支耳 Clevis	1		7003641512
14	GB6170-86	螺母 M8, Nut	1		20000031
15	NO PART NO.	油口 Connector	1		7003641513
16	NO PART NO.	胶皮衬套 Bushing, rubber	1		7003641514
17	JP300-512000-000	左制动油管 Brake pipe, left	1		70034520
18	JP300-511000-000	右制动油管 Brake pipe, right	1		70034521
19	GB5783-86	螺栓 M10×35 Bolt M10×35	2		20000090
20	GB6170-86	螺母 M10 Nut M10	2		20000035
K1	NO PART NO.	总泵修理包 Kit, repair	1	INC. 2-8,11	7003641515

图 24  
Fig. 24

