

料码  
de No.

03179

00765

34390

21919

21920

00054

00573

00865

4392

4391

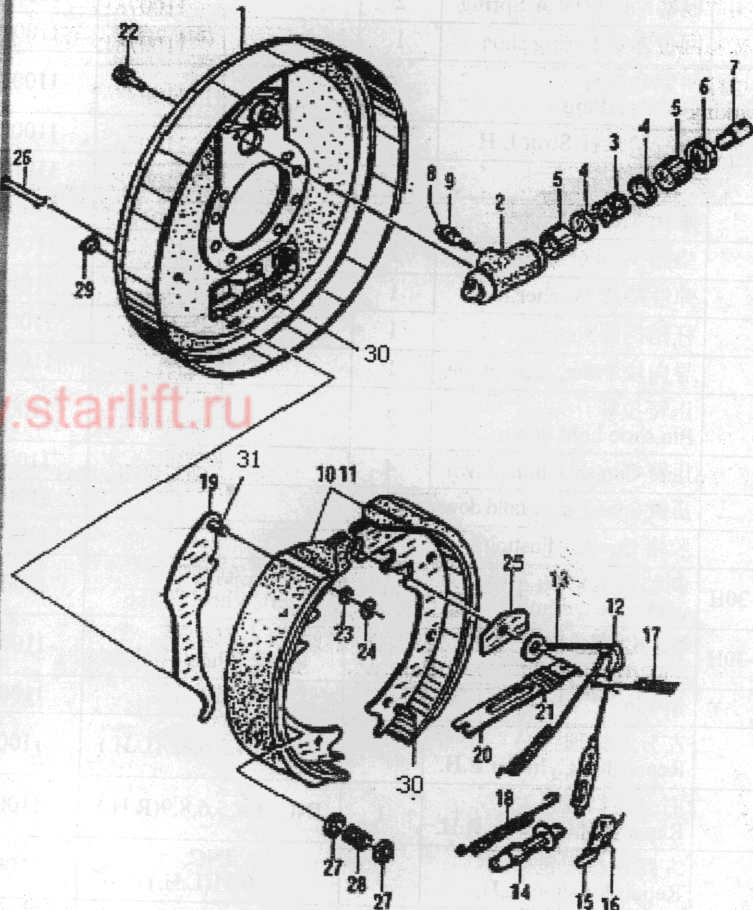
3783

2524

5042

5154

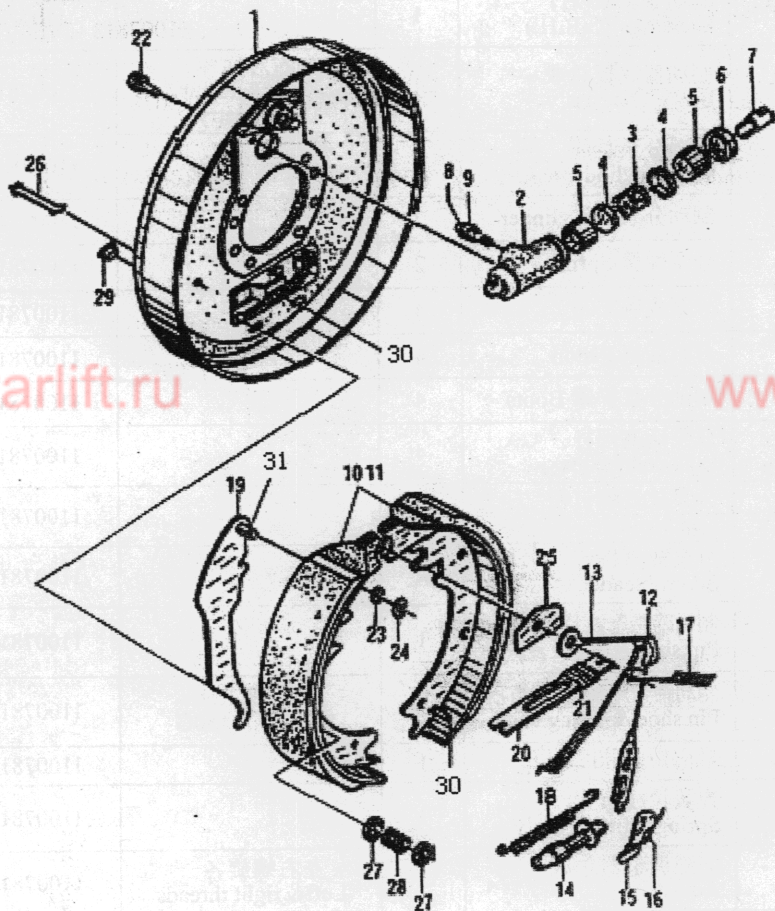
627

图 6 制动器(1-1.8t)  
Fig. 6 Wheel brake(1-1.8t)

序号 Item No.	代号 Part No.	名称 Description	数量 Q'ty	备注或适用车型 Remarks or Series No.	物料码 Code No.
A	N030-111000-G00	制动器总成(左) Brake ass'y, (L.H.)	1		11007812
-	N030-112000-G00	制动器总成(右) Brake ass'y, (R.H.)	1		11007813
1	21233-70010G	制动器底板总成 Brake plate ass'y	1	左右对称各一 Left & Right symmetry	1100781201
B	21233-70080G	制动分泵总成 Wheel cylinder ass'y	1	(Inc. 2~9)	1100781202
2	24433-76010G	制动分泵缸 Cylinder	2		1100781203
3	24433-76040G	分泵弹簧 Spring	2		1100781204
4	24433-76030G	分泵皮碗 Cup	4		1100781205
5	24433-76020G	分泵活塞 Piston	4		1100781206
6	22673-72101	制动分泵护罩 Boots	4		1100781207
7	24433-76060G	分泵活塞顶杆 Link,connecting	4		1100781208
8	24433-76100G	分泵放气螺钉帽 Cap bleader	2		1100781209
9	24433-76090G	分泵放气螺钉 Screw,bleader	2		1100781210
10	21233-70150G	制动蹄带摩擦片总成(前) Pin,shoe & lining ass'y	1		1100781211
11		制动蹄带摩擦片总成(后) Pin,shoe & lining ass'y	1	参见图 Refer 21233-70150G	1100781212
12	21233-70330G	导向块 Guide,cable	1		1100781213
13	21233-70260G	弹簧拉线装置 Spring & fitting ass'y	1		1100781214
14	21233-70210G	间隙调整器总成 Adjuster	1	左右螺旋各一 Left & right threads	1100781215
15	21233-70380G	棘爪 Lever	1		1100781216



图 6 制动器 (1-1.8t)  
Fig. 6 Wheel brake(1-1.8t)



序号 Item No.	代号 Part No.	名称 Description	数量 Q'ty	备注或适用车型 Remarks or Series No.	物料码 Code No.
16	21233-70360G	弹簧 Spring	1	左右螺旋各一 Left&right helical type	1100781217
17	21233-70320G	制动蹄回位弹簧 Spring	2		1100781218
18	21233-70350G	回位弹簧 Sprigg shoe	1		1100781219
19	21233-70370G	手制动拉杆 Lever parking	1	左右对称各一 L.H&R.H types	1100781220
20	21233-70380G	手制动推杆 Strut L.H	1		1100781221
21	21233-70390G	弹簧 Spring	1		1100781222
22	GB21-76	螺栓 M6×16 Bolt	2		1100781223
-	GB93-87	垫圈 Washer	2		1100781224
23	24433-70160G	弹性垫片 Washer,lock	1	借用 3t	1100781225
24	24433-70170G	杆销挡圈 Retainer	1	借用 3t	1100781226
25	21233-70410G	导向块 Plate, shoe guide	1		1100781227
26	21233-70420G	压簧拉杆 Pin,shoe hold down	2		1100781228
27	21233-70430G	压簧 Cup,shoe hold down	4		1100781229
28	21233-70440G	压簧 Spring, shoe hold down	2		1100781230
29	21233-70450G	胶堵 Cover, adjusting hole	2		1100781231
30	0C11246-14603-30H	制动钢索总成(左) Brake wire rope assembly (left)	1	左制动器 Left Wheel Brake	1100781232
	0C11246-24603-30H	制动钢索总成(右) Brake wire rope assembly(right)	1	右制动器 Right Wheel Brake	1100781301
31	21233-70400G	销 Pin	1		1100781202
K1	NO PART NO.	左分泵修理包 Repair Kit,Cylinder L.H.	1	INC. 3,4,5,6,8,9(L.H.)	1100781233
K2	NO PART NO.	右分泵修理包 Repair Kit,Cylinder R.H.	1	INC. 3,4,5,6,8,9(R.H.)	1100781302
K3	NO PART NO.	左蹄片修理包 Repair kit,shoe, L.H.	1	INC. 10,11(L.H.)	1100781234
K4	NO PART NO.	左蹄片修理包 Repair kit,shoe, R.H.	1	INC. 10,11(R.H.)	1100781303



料码  
e No.

781217

781218

781219

781220

781221

781222

781223

781224

781225

781226

781227

781228

781229

781230

781231

781232

781301

781202

781233

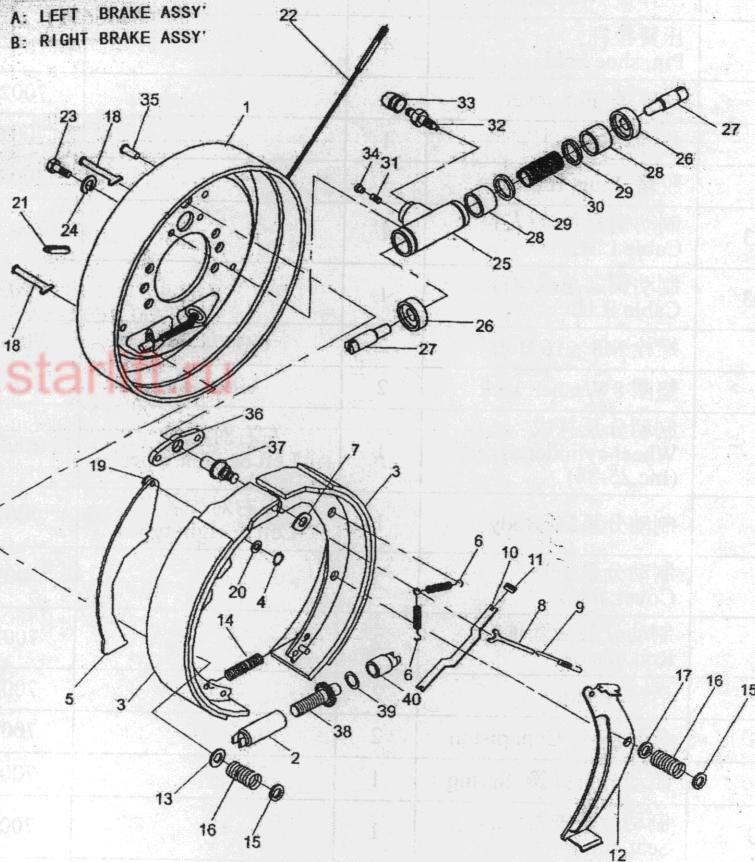
781302

781234

781303

图 7 制动器 (2-3.5t)  
Fig. 7 Wheel brake(2-3.5t)

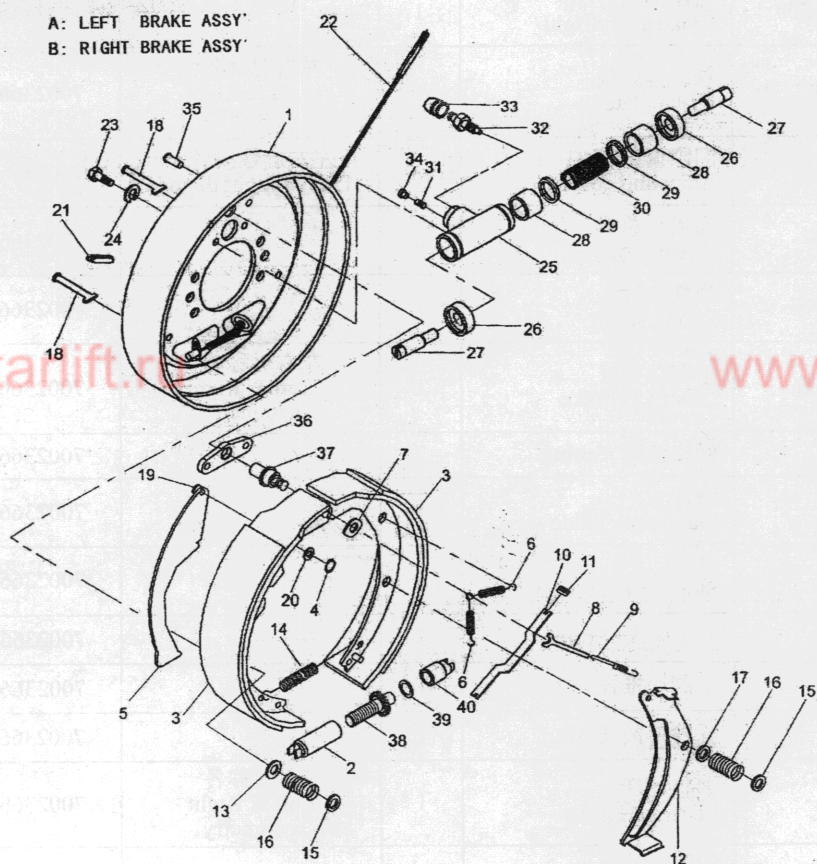
A: LEFT BRAKE ASSY'  
B: RIGHT BRAKE ASSY'



序号 Item No.	代号 Part No.	名称 Description	数量 Q'ty	备注或适用车型 Remarks or Series No.	物料码 Code No.
A	N120-111000-G00	左制动器 Brake assy, Left	1		70023663
B	N120-112000-G00	右制动器 Brake assy, Right	1		70023664
1	22493-71100G	制动器底板 Brake plate	1	左右对称各一 Left & Right symmetry	7002366301
2	22493-72010G	间隙调整套 Adjusting cover	1	左右旋螺纹各一 Left & Right threads	7002366302
3	23653-73021	摩擦片总成 Brake shoe	2		7002366303
4	24433-70160G	弹性垫片 Spring shim	1		7002366304
5	23653-72071G	手制动拉杆 Lever LH brake	1	左右对称各一 Left & Right symmetry	7002366305
6	23673-72261	回位弹簧 Spring	2		7002366306
7	23653-72131	垫片 Plate, shoe guide	1		7002366307
8	23653-72161	顶杆 Stopper, pole lever	1		7002366308
9	23653-72171	回位弹簧 Spring	1		7002366309
10	23653-72081	手制动推杆 Strut	1		7002366310
11	22673-72391	压缩弹簧 Spring	1		7002366311
12	23653-72151	调整杠杆 Lever L.H pole	1	左右对称各一 Left & Right symmetry	7002366312
13	23653-72191	压簧座 Washer, cup	3		7002366313
14	23653-72051	弹簧 Spring	1		7002366314



图 7 制动器(2-3.5t)  
Fig. 7 Wheel brake(2-3.5t)

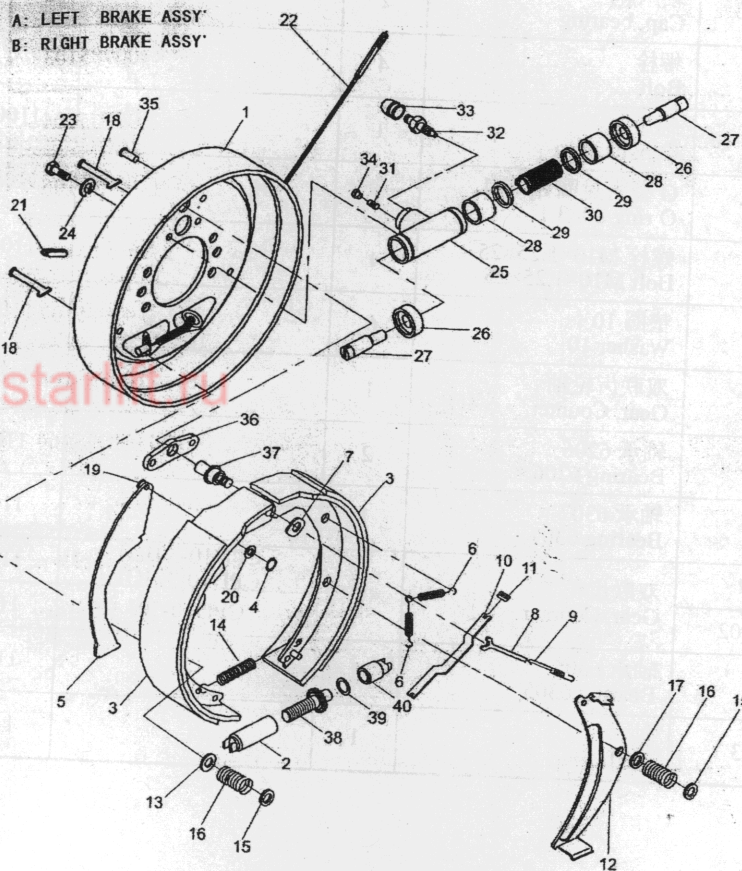


序号 Item No.	代号 Part No.	名称 Description	数量 Q'ty	备注或适用车型 Remarks or Series No.	物料码 Code No.
15	23653-72111	压弹簧 Washer, cup	4		7002366315
16	23653-72091	弹簧 Spring	4		7002366316
17	23653-72121	压弹簧 Washer, cup	1		7002366317
18	23653-72101	压簧拉杆 Pin, shoe hold	4		7002366318
19	22673-72231	支撑销 Pin, lever	1		7002366319
20	22673-72251	垫片 Shim	1		7002366320
21	22673-72321	胶堵 Plug, rubber	1		7002366321
22	OC11246-14603	制动钢索总成(左) Cable L.H.	1		7002366322
	OC11246-24603	制动钢索总成(右) Cable R.H.	1		7002366323
23	B0322-08016	螺栓 M8×16 Bolt	2	GB5783-86	7002366324
24	B5050-00008	垫圈 8 Washer, lock	2	GB93-87	7002366325
C	22673-72041	制动分泵总成 Wheel cylinder ass'y (Inc.25-34)	1	左右对称各一 Left & right types	7002366326
25	22673-72061a	制动分泵缸 Body	1	左右对称各一 Left & right types	7002366327
26	22673-72101	制动分泵护罩 Cover, dust	2		7002366328
27	22673-72111	制动分泵活塞顶杆 Rod, piston	2		7002366329
28	22673-72071	活塞 Piston	2		7002366330
29	22673-72081G	分泵皮碗 Cup, piston	2		7002366331
30	22673-72091	制动分泵弹簧 Spring	1		7002366332
31	24433-76070G	制动分泵油塞 Seat, tube	1		7002366333
32	22673-72131	制动分泵放气螺钉 Screw, bleeder	1		7002366334



料码  
le No.  
366315  
366316  
366317  
366318  
366319  
366320  
366321  
66322  
66323  
66324  
56325  
56326  
66327  
66328  
66329  
66330  
5331  
5332  
5333  
5334

图 7 制动器 (2-3.5t)  
Fig. 7 Wheel brake(2-3.5t)



序号 Item No.	代号 Part No.	名称 Description	数量 Q'ty	备注或适用车型 Remarks or Series No.	物料码 Code No.
33	22673-72141	分泵放气螺钉护罩 Cap, screw	1		7002366335
34	22492-74010G	防尘盖 Cap, dust	1		7002366336
35	22493-71020G	铆钉 Rivet	2		7002366337
36	22493-71010G	垫板 Plate	1		7002366338
37	22493-71030G	支撑销 Pin	1		7002366339
38	22493-71030G	间隙调整螺栓 Adjuster bolt	1	左右旋螺纹各一 Left & right threads	7002366340
39	B5310-00010	垫圈 10 Washer	1		7002366341
40	22493-72030G	间隙调整杆 Adjuster staff	1		7002366342
K1	NO PART NO.	左分泵修理包 Repair Kit,Cylinder L.H.	1	INC. 26,28,29,30,32,33 (L.H.)	7002366343
K2	NO PART NO.	右分泵修理包 Repair Kit,Cylinder R.H.	1	INC. 26,28,29,30,32,33 (R.H.)	7002366401
K3	NO PART NO.	左蹄片修理包 Repair kit,shoe, L.H.	1	INC. 3 (L.H.)	7002366344
K4	NO PART NO.	左蹄片修理包 Repair kit,shoe, R.H.	1	INC. 3 (R.H.)	7002366402