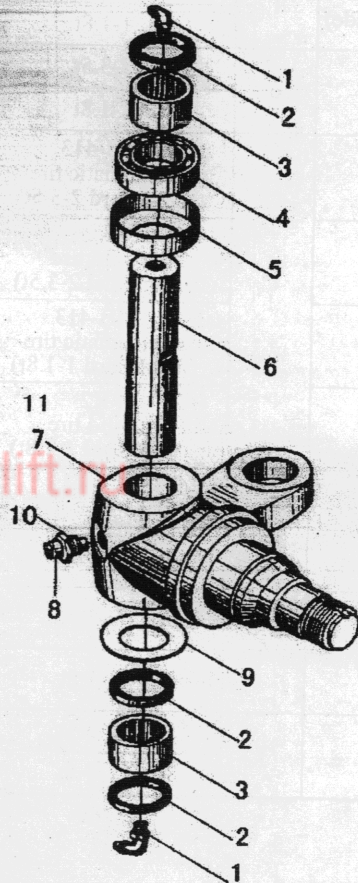


物料码  
Code No.  
20003254  
20003997  
20004928  
20003751  
0003450  
0003453  
0003738  
0002506  
024209  
029663  
024211  
002507  
024208  
012210  
024216  
003452  
003737  
021961  
024214  
021962  
024215  
031358  
024212  
031357  
024213  
025783  
025792

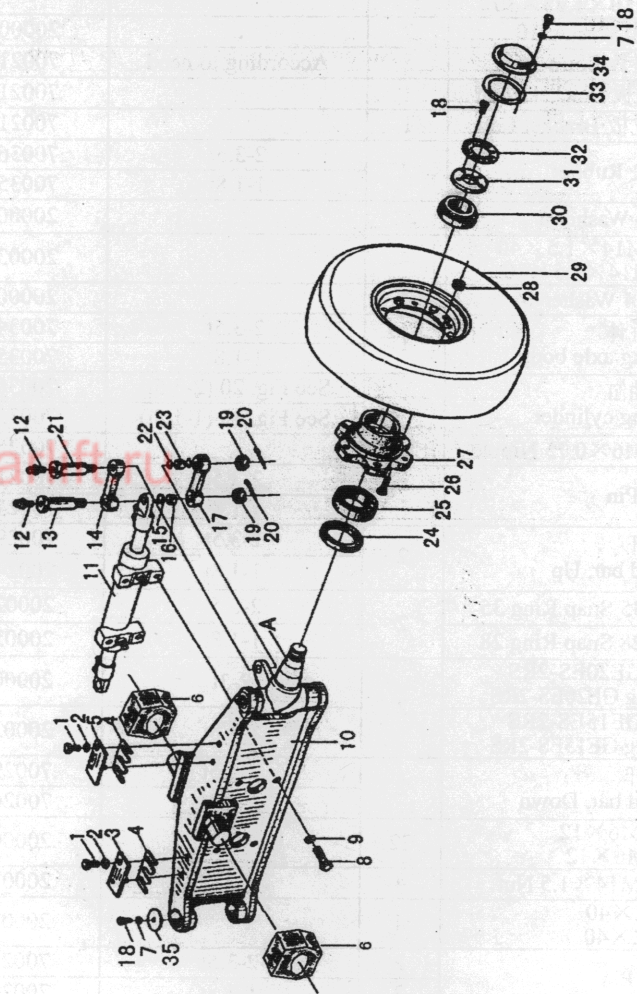
图 14 转向节  
Fig. 14 Steering Knuckle



A

| 序号<br>Item No. | 代号<br>Part No.  | 名称<br>Description  | 数量<br>Q'ty | 备注或适用车型<br>Remarks or Series No. | 物料码<br>Code No. |
|----------------|-----------------|--|------------|----------------------------------|-----------------|
| 1              | Q701B45-G00     | 油杯 M10<br>Grease nipple M10                                  | 4          |                                  | 20003824        |
| 2              | N163-220021-000 | 油封<br>Oil seal   | 6          | 2-3.5t                           | 70023390        |
|                | N030-220001-000 |  | 8          | 1-1.8t                           | 70024200        |
| 3              | GB12764-91      | 轴承 HKH3030<br>Bearing HKH3030<br>轴承 HK2530<br>Bearing HK2530 | 4          | 2-3.5t                           | 20003449        |
|                |                 |  |            | 1-1.8t                           | 20003731        |
| 4              | GB301-95        | 轴承 51206<br>Bearing 51206                                    | 2          | 2-3.5t                           | 20000704        |
|                | GB4663-94       | 轴承 81205<br>Bearing 81205                                    |            | 1-1.8t                           | 20003739        |
| 5              | N163-220002-000 | 防尘套<br>Dust proof bush                                       | 2          | 2-3.5t                           | 70021947        |
|                | N030-220003-000 |  |            | 1-1.8t                           | 70024202        |
| 6              | N163-220001-000 | 主销<br>King pin   | 2          | 2-3.5t                           | 70021946        |
|                | N030-220002-000 |  |            | 1-1.8t                           | 70024201        |
| 7              | N163-220003-001 | 左转向节<br>Left steering knuckle                                | 1          | 2-3.5t                           | 70034608        |
|                | N030-220004-000 |  |            | 1-1.8t                           | 70024203        |
| 8              | N163-220018-000 | 紧定螺钉<br>Screw  | 2          |                                  | 70021963        |
| 9              | N163-220012-000 | 调整垫片<br>Adjusting shim                                       | 2          | According to need                | 70021957        |
|                | N030-220011-000 |  |            |                                  | 70024210        |
| 10             | GB6171-86       | 螺母 M10×1.25<br>Nut M10×1.25                                  | 2          |                                  | 20001314        |
| 11             | N163-220025-001 | 右转向节<br>Right steering knuckle                               | 1          | 2-3.5t                           | 70034609        |
|                | N030-220017-000 |  |            | 1-1.8t                           | 70026946        |

图 13 转向桥  
Fig. 13 Steering Axle



| 序号<br>Item No. | 代号<br>Part No.   | 名称<br>Description                   | 数量<br>Q'ty | 备注或适用车型<br>Remarks or Series No. | 物料码<br>Code No. |
|----------------|------------------|-------------------------------------|------------|----------------------------------|-----------------|
| 22             | GB893.1-86       | 挡圈 30 Snap ring 30                  | 2          | 2-3.5t                           | 20003254        |
|                | GB893.2-86       | 挡圈 28 Snap Ring 28                  |            | 1-1.8t                           | 20003997        |
| 23             | GB9163-90        | 轴承 GE17ES<br>Bearing GE17ES         | 2          | 2-3.5t                           | 20004928        |
|                |                  | 轴承 GE15ES-2RS<br>Bearing GE15ES-2RS |            | 1-1.8t                           | 20003751        |
| 24             | GB13871-92       | 油封 FB60×90×8<br>Oil seal FB60×90×8  | 2          | 1-3.5t                           | 20003450        |
| 25             | GB297-94         | 轴承 32210 3DC<br>Bearing 32210 3DC   | 2          | 2-3.5t                           | 20003453        |
|                |                  | 轴承 32208 3DB<br>Bearing 32208 3DB   |            | 1-1.8t                           | 20003738        |
| 26             | 25DE-41-2        | 紧固螺栓 Bolt                           | 12         | 2-3.5t                           | 70002506        |
|                | N030-220010-000  |                                     |            | 1-1.8t                           | 70024209        |
| 27             | NP25G-210003-000 | 转向轮毂<br>Wheel hub                   | 2          | 2-3.5t                           | 70029663        |
|                | N030-220012-001  |                                     |            | 1-1.8t                           | 70024211        |
| 28             | 25DE-41-1        | 球面螺母 Nut                            | 12         | 2-3.5t                           | 70002507        |
|                | N030-220009-000  |                                     |            | 1-1.8t                           | 70024208        |
| 29             | 25PH-211000      | 转向车轮<br>Steering wheel              | 2          | See Fig. 15 (1-3t)               | 70012210        |
|                | N030-221000-000  |                                     |            |                                  | 70024216        |
| 30             | GB297-94         | 轴承 32208 3DC<br>Bearing 32208 3DC   | 2          | 2-3.5t                           | 20003452        |
|                |                  | 轴承 30305 2FB<br>Bearing 30305 2FB   |            | 1-1.8t                           | 20003737        |
| 31             | N163-220016-000  | 锁紧螺母 Lock nut                       | 2          | 2-3.5t                           | 70021961        |
|                | N030-220015-000  |                                     |            | 1-1.8t                           | 70024214        |
| 32             | N163-220017-000  | 防松垫圈 Washer                         | 2          | 2-3.5t                           | 70021962        |
|                | N030-220016-000  |                                     |            | 1-1.8t                           | 70024215        |
| 33             | NP25G-210005-000 | 纸垫<br>Gasket                        | 2          | 2-3.5t                           | 70031358        |
|                | N030-220013-000  |                                     |            | 1-1.8t                           | 70024212        |
| 34             | NP25G-210004-000 | 端盖<br>Cover                         | 2          | 2-3.5t                           | 70031357        |
|                | N030-220014-000  |                                     |            | 1-1.8t                           | 70024213        |
| 35             | N163-220023-000  | 盖板<br>Cover                         | 4          | 2-3.5t                           | 70025783        |
|                | N030-220018-000  |                                     |            | 1-1.8t                           | 70025792        |

图  
Fig

物料码  
Code No.图 13 转向桥  
Fig. 13 Steering Axle

70022214

70002529

70003071

70003072

70002530

70000001

70002071

70002531

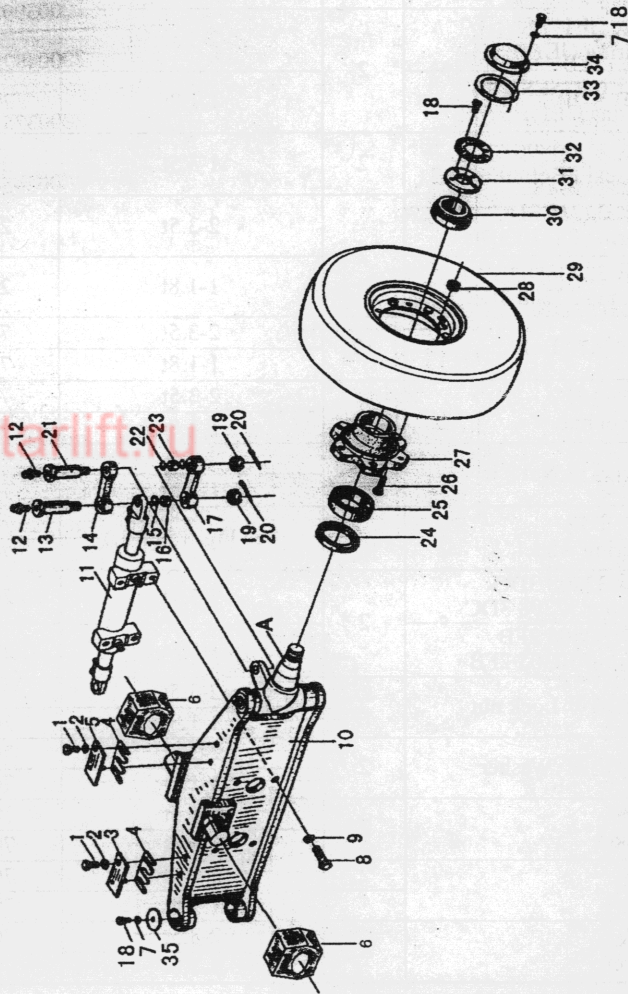
70002532

70002533

70002534

70003071

70003072



| 序号<br>Item No. | 代号<br>Part No.   | 名称<br>Description                   | 数量<br>Q'ty | 备注或适用车型<br>Remarks or Series No. | 物料码<br>Code No. |
|----------------|------------------|-------------------------------------|------------|----------------------------------|-----------------|
| 1              | GB5786-86        | 螺栓 M10×1.25×30<br>Bolt M10×1.25×30  | 2          |                                  | 20001316        |
| 2              | GB93-87          | 垫圈 10 Washer 10                     | 2          |                                  | 20000003        |
| 3              | N163-220004-000  | 调整垫片 Shim                           | 2          | According to need                | 70021949        |
| 4              | N163-225000-000  | 右限位板 Bracket Right                  | 1          |                                  | 70021970        |
| 5              | N163-223000-000  | 左限位板 Bracket Left                   | 1          |                                  | 70021968        |
| 6              | R960-220001-000  | 减震块 Rubber                          | 2          | 2-3.5t                           | 70036737        |
|                | R840-220001-000  |                                     |            | 1-1.8t                           | 70035139        |
| 7              | GB93-87          | 垫圈 6 Washer 6                       | 22         |                                  | 20000054        |
| 8              | GB5786-86        | 螺栓 M14×1.5×40<br>Bolt M14×1.5×40    | 4          |                                  | 20003455        |
|                |                  |                                     |            |                                  |                 |
| 10             | JP300-221000-000 | 转向桥体<br>Steering axle body          | 1          | 2-3.5t                           | 70034400        |
|                | R840-222000-000  |                                     |            | 1-1.8t                           | 70035131        |
| 11             | JP300-222000-000 | 转向油缸<br>Steering cylinder           | 1          | See Fig. 20 (2-3.5t)             | 70036385        |
|                | R840-224000-000  |                                     |            | See Fig. 19 (1-1.8t)             | 70035137        |
| 12             | N163-220022-000  | 油杯 M6×0.75 Nipple                   | 4          |                                  | 70025013        |
| 13             | N163-220005-000  | 销轴 Pin                              | 2          | 2-3.5t                           | 70021950        |
|                | N030-220006-000  |                                     |            | 1-1.8t                           | 70024205        |
| 14             | NP25G-210001-001 | 上联杆<br>Tir-rod bar, Up              | 2          | 2-3.5t                           | 70029661        |
|                | N030-220007-000  |                                     |            | 1-1.8t                           | 70024206        |
| 15             | GB893.2-86       | 挡圈 35 Snap Ring 35                  | 2          | 2-3.5t                           | 20002165        |
|                |                  | 挡圈 28 Snap Ring 28                  |            | 1-1.8t                           | 20003997        |
| 16             | GB9163-90        | 轴承 GE20ES-2RS<br>Bearing GE20ES-2RS | 2          | 2-3t                             | 20000885        |
|                |                  | 轴承 GE15ES-2RS<br>Bearing GE15ES-2RS |            | 1-1.8t                           | 20003751        |
|                |                  |                                     |            |                                  |                 |
| 17             | NP25G-210002-001 | 下联杆<br>Tir-rod bar, Down            | 2          | 2-3.5t                           | 70029662        |
|                | N030-220008-000  |                                     |            | 1-1.8t                           | 70024207        |
| 18             | GB5783-86        | 螺钉 M6×12<br>Bolt M6×12              | 22         |                                  | 20000573        |
| 19             | GB9459-88        | 螺母 M14×1.5 Nut                      | 4          |                                  | 20003460        |
| 20             | GB91-86          | 销 3.2×40<br>Pin 3.2×40              | 4          |                                  | 20003313        |
| 21             | N163-220008-001  | 销轴 Pin                              | 2          | 2-3.5t                           | 70021953        |
|                | N030-220006-000  |                                     | 2          | 1-1.8t                           | 70024205        |