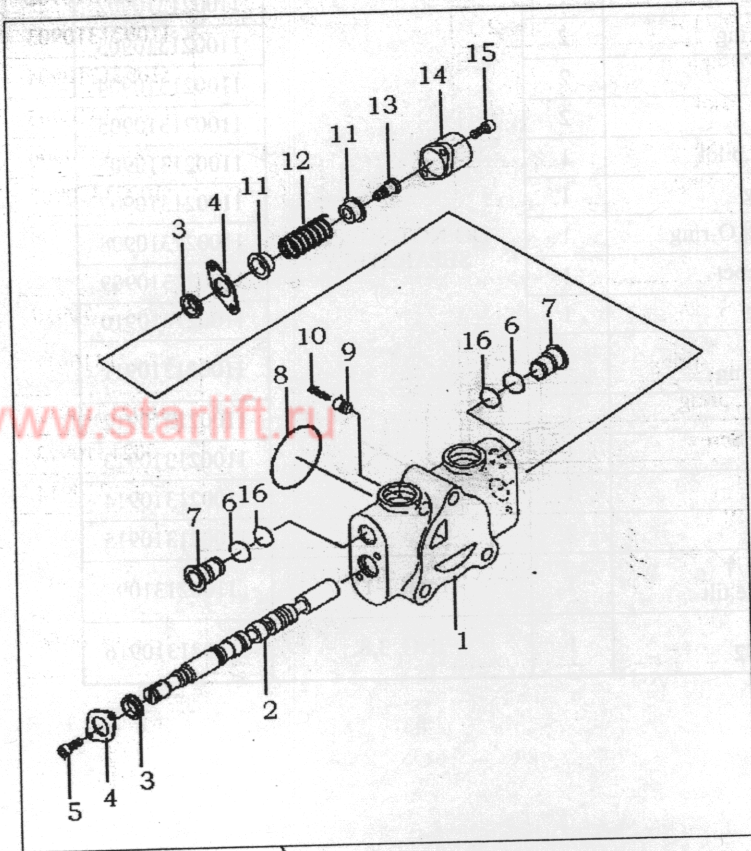


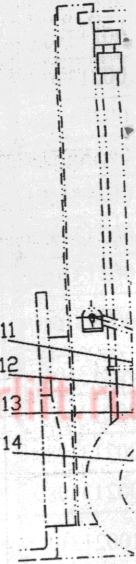
图 41 属具阀片
Fig.41 Valve section C



V-V3

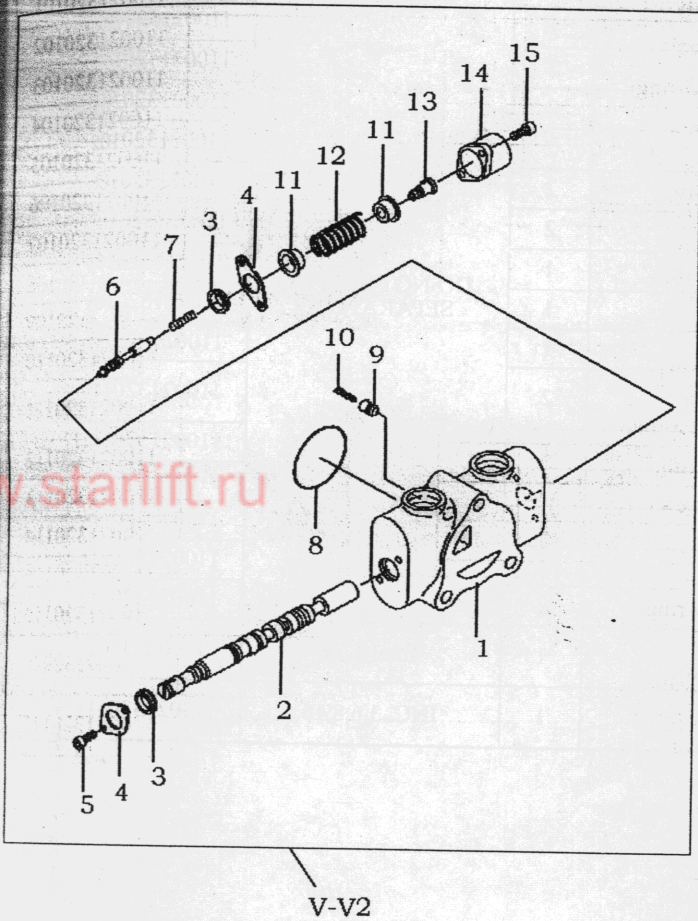
序号 Item No.	代号 Part No.	名称 Description	数量 Q'ty	备注或适用车型 Remarks or Series No.	物料码 Code No.
1	NO PART NO.	阀体 Body	1	DO NOT SUPPLY SEPARATELY	110021320101
2	NO PART NO.	阀芯 Spool	1		110021320102
3	NO PART NO.	密封圈 O-ring	2		110021320103
4	NO PART NO.	罩板 Plate	2		110021320104
5	NO PART NO.	螺栓 Blot	2		110021320105
6	NO PART NO.	O 形密封圈 O-ring	2		110021320106
7	NO PART NO.	螺塞 Plug	2		110021320107
8	NO PART NO.	O 形密封圈 O-ring	1		110021320108
9	NO PART NO.	单向阀 Poppet	1		110021320109
10	NO PART NO.	弹簧 Spring	1		110021320110
11	NO PART NO.	弹簧支承 Retainer, spring	2		110021320111
12	NO PART NO.	弹簧 Spring	1		110021320112
13	NO PART NO.	螺钉 Screw	1		110021320113
14	NO PART NO.	盖 Cap	1		110021320114
15	NO PART NO.	螺栓 Blot	2		110021320115
16	NO PART NO.	O 形密封圈 O-ring	2		110021320116
V-V3	NO PART NO.	倾斜自锁阀片 Section, valve, tilt	1	Total 1-16	1100213201
K1-V3	NO PART NO.	V3 修理包 Seal kit of V3	1	INC. 3,6,8,16	110021320117

图 42
Fig.42



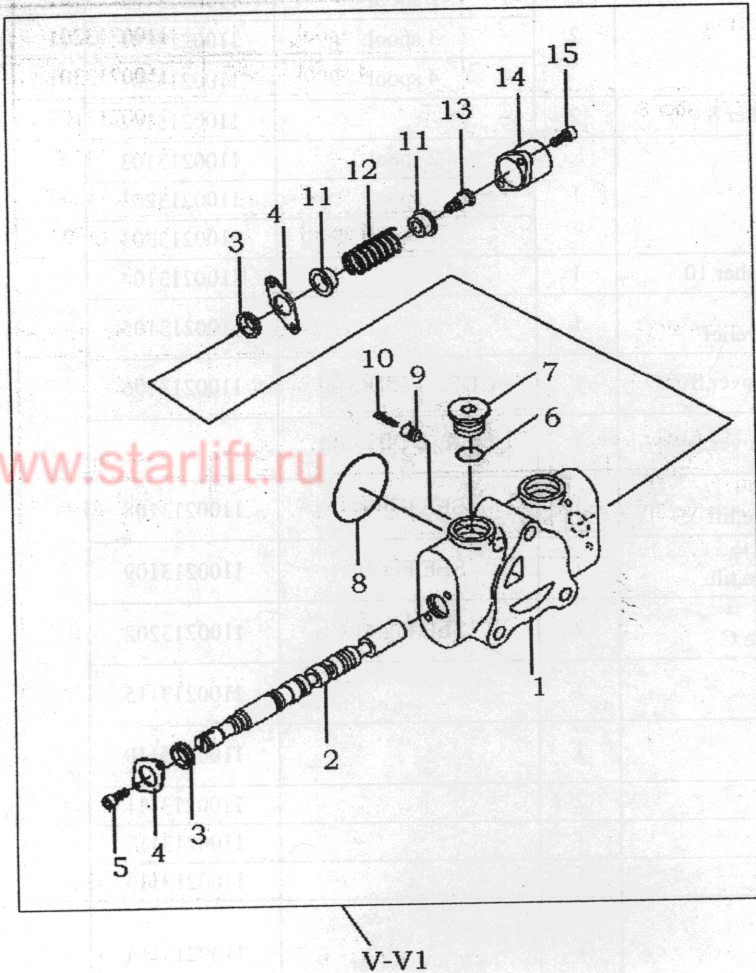
物料码
Code No.
10021310801
10021310802
10021310803
10021310804
10021310805
10021310806
10021310807
10021310808
10021310809
10021310810
10021310811
10021310812
10021310813
10021310814
10021310815
10021310816

图 40 倾斜阀片
Fig.40 Tilt valve section



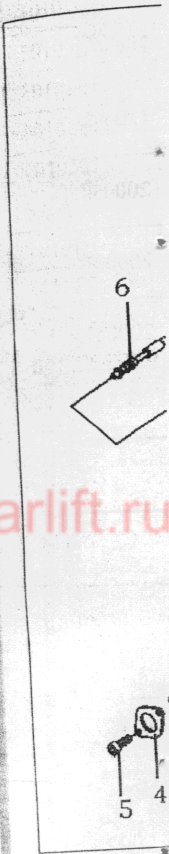
序号 Item No.	代号 Part No.	名称 Description	数量 Q'ty	备注或适用车型 Remarks or Series No.	物料码 Code No.
1	NO PART NO.	阀体 Body	1	DO NOT SUPPLY SEPARATELY	110021310901
2	NO PART NO.	阀芯 Spool	1		110021310902
3	NO PART NO.	密封圈 O-ring	2		110021310903
4	NO PART NO.	罩板 Plate	2		110021310904
5	NO PART NO.	螺栓 Bolt	2		110021310905
6	NO PART NO.	阀芯 Spool,pilot	1		110021310906
7	NO PART NO.	弹簧 Spring	1		110021310907
8	NO PART NO.	O 形密封圈 O-ring	1		110021310908
9	NO PART NO.	单向阀 Poppet	1		110021310909
10	NO PART NO.	弹簧 Spring	1		110021310910
11	NO PART NO.	弹簧支承 Retainer,spring	2		110021310911
12	NO PART NO.	弹簧 Spring	1		110021310912
13	NO PART NO.	螺钉 Screw	1		110021310913
14	NO PART NO.	盖 Cap	1		110021310914
15	NO PART NO.	螺栓 Bolt	2		110021310915
V-V2	NO PART NO.	倾斜自锁阀片 Section,valve,tilt	1	Total 1-15	1100213109
K1-V2	NO PART NO.	V2 修理包 Seal kit of V2	1	INC. 3,8	110021310916

图 39 起升阀片
Fig.39 Lift valve section



序号 Item No.	代号 Part No.	名称 Description	数量 Q'ty	备注或适用车型 Remarks or Series No.	物料码 Code No.
1	NO PART NO.	阀体 Body	1	DO NOT SUPPLY SEPARATELY	110021310801
2	NO PART NO.	阀芯 Spool	1		110021310802
3	NO PART NO.	密封圈 O-ring	2		110021310803
4	NO PART NO.	罩板 Plate	2		110021310804
5	NO PART NO.	螺栓 Blot	2		110021310805
6	NO PART NO.	O 形密封圈 O-ring	1		110021310806
7	NO PART NO.	螺塞 Plug	1		110021310807
8	NO PART NO.	O 形密封圈 O-ring	1		110021310808
9	NO PART NO.	单向阀 Poppet	1		110021310809
10	NO PART NO.	弹簧 Spring	1		110021310810
11	NO PART NO.	弹簧支承 Retainer, spring	2		110021310811
12	NO PART NO.	弹簧 Spring	1		110021310812
13	NO PART NO.	螺钉 Screw	1		110021310813
14	NO PART NO.	盖 Cap	1		110021310814
15	NO PART NO.	螺栓 Blot	2		110021310815
V-V1	NO PART NO.	起升阀片 section, valve, lift	1	Total 1-15	1100213108
K1-V1	NO PART NO.	V1 修理包 Seal kit of V1	1	INC. 3,6,8	110021310816

图 40
Fig.40



物料码
Code No.

70036433

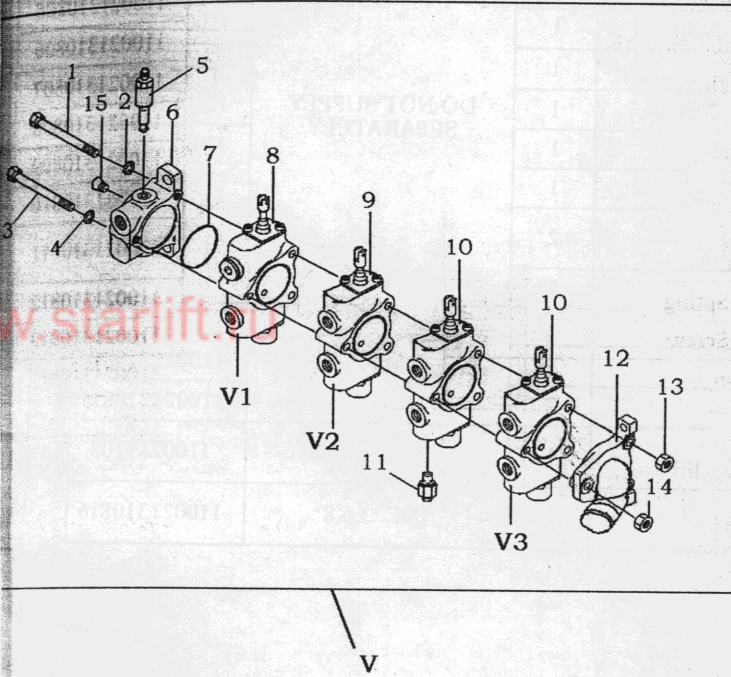
11009881

20005049

20000160

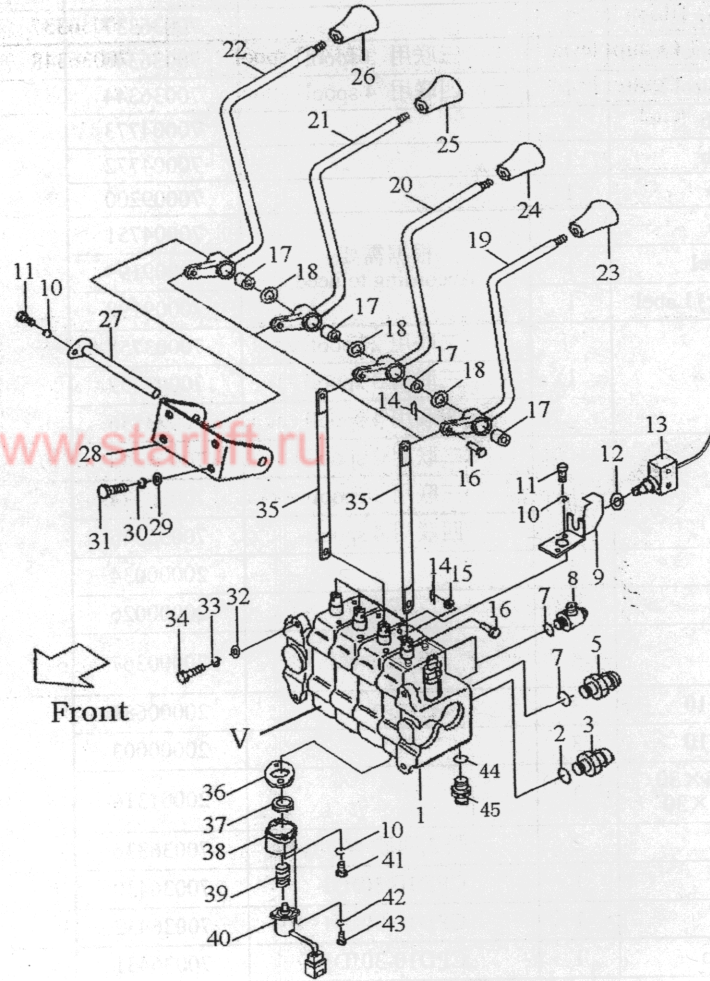
20005156

图 38 多路阀总成
Fig.38 Control Valve -assembly



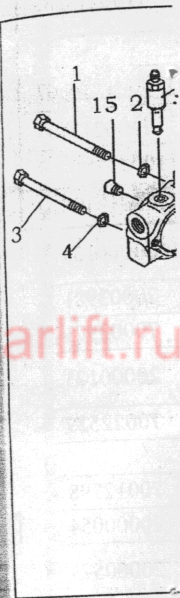
序号 Item No.	代号 Part No.	名称 Description	数量 Q'ty	备注或适用车型 Remarks or Series No.	物料码 Code No.
1	NO PART NO.	螺栓 Bolt	2	2 spool	1100213101
				3 spool	1100213201
				4 spool	1100213301
2	GB93-87	垫圈 8 Washer 8	2		1100213102
3	NO PART NO.	螺栓 Bolt	1	2 spool	1100213103
				3 spool	1100213203
				4 spool	1100213303
4	GB93-87	垫圈 10 Washer 10	1		1100213104
5	NO PART NO.	主安全阀 Valve,main-relief	1		1100213105
6	NO PART NO.	进油阀片 Cover,front	1	CDB2-F15DC-00	1100213106
				CDB2-F15DY-00	
8	NO PART NO.	升降阀片 Section, valve, lift	1	SEE Fig.39	1100213108
9	NO PART NO.	倾斜自锁阀片 Section, valve, tilt	1	SEE Fig.40	1100213109
10	NO PART NO.	属具阀片 Section, valve. C	2	SEE Fig.41	1100213202
11	NO PART NO.	过载阀 Valve, relief	1		1100213115
12	NO PART NO.	回油阀片 Cover, rear	1		1100213110
13	GB6175-86	螺母 M8	2		1100213111
14	GB6176-86	螺母 M10	1		1100213112
15	NO PART NO.	螺塞 Plug	1		1100213113
K1	NO PART NO.	V 修理包 Seal kit of V	1	INC. 7 & K1-V1 & K1-V2 &/or K1-V3.	1100213114

图 37 多路阀操纵 AC
Fig. 37 Control valve AC



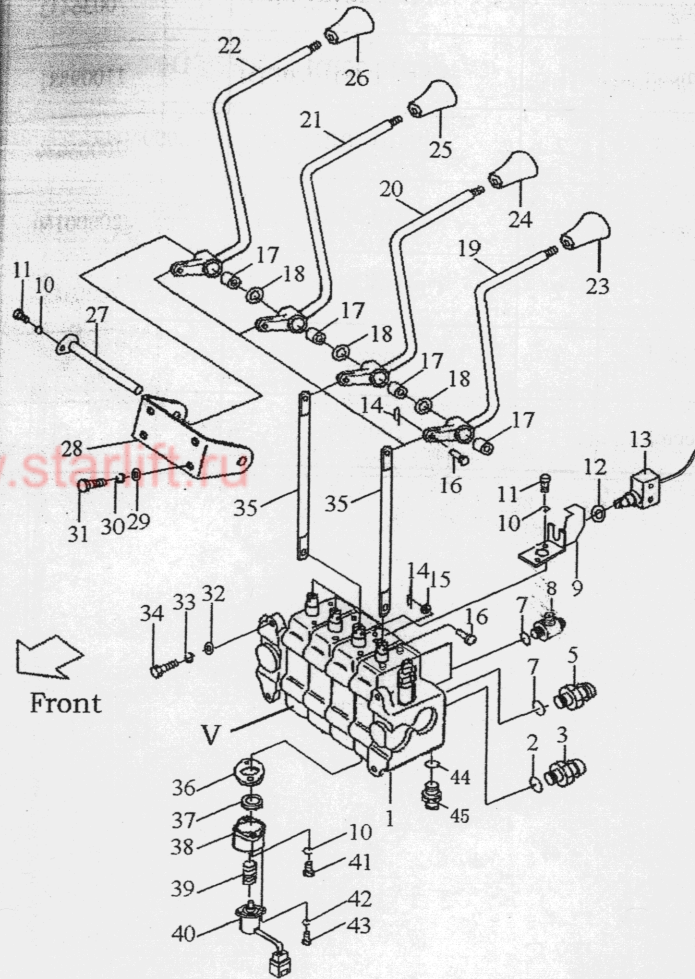
序号 Item No.	代号 Part No.	名称 Description	数量 Q'ty	备注或适用车型 Remarks or Series No.	物料码 Code No.
39	JP301-640004-000	弹簧 Spring	1	CPD10-30JD1	70036433
40	M-040107-G00	电位器 Potentiometer	1	CPD10-30JD1	11009881
41	GB70-85	螺钉 M6×20 Screw M6×20	2	CPD10-30JD1	20005049
42	GB93-87	垫圈 5 Washer 5	2	CPD10-30JD1	20000160
43	GB70-85	螺钉 M5×12 Screw M5×12	2	CPD10-30JD1	20005156
44	GB1235-76	O形密封圈 14×2.4 O-Ring 14×2.4	1	2008.3-	
45	JP451-640002-001	直通接头 Connector	1	2008.3-	

图 38
Fig.38



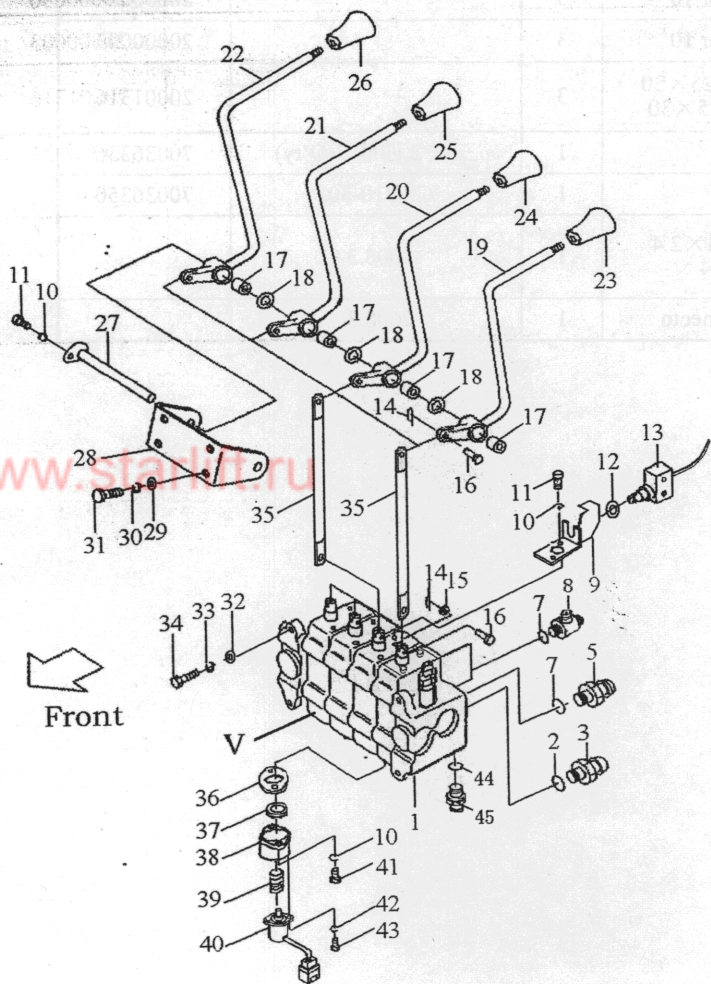
物料码
Code No.

图 37 多路阀操纵 AC
Fig. 37 Control valve AC



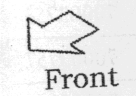
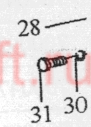
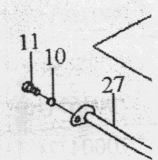
序号 Item No.	代号 Part No.	名称 Description	数量 Q'ty	备注或适用车型 Remarks or Series No.	物料码 Code No.
19	JP300-644000-000	起升手柄 Lifting lever	1		70036342
20	JP300-645000-000	倾斜手柄 Tilting lever	1		70036337
21	JP300-646000-000	属具手柄 I Control lever	1	三联用 3 spool	70036348
22	JP300-647000-000	属具手柄 II Control lever	1	四联用 4 spool	70036344
23	N163-610001-000	起升手把 Knob	1		70004773
24	N163-610002-000	倾斜手把 Knob	1		70004772
25	30DH-610008	侧移手把 Knob	1		70009200
26	N163-610003-000	属具手把 Knob	1	根据需要 According to need	70004751
	30DH-610010	标签(旋转) Label	1		70009199
	30DH-610009	标签(夹紧,放松) Label	1		70009198
27	3E-615000	销轴 Pin shaft	1	二联用 2 spool	70003758
	3E-616000			三联用 3 spool	70003757
	3E-617000			四联用 4 spool	70003756
28	JP300-641000-000	支架 Bracket	1	二联用 2 spool	70036340
	JP300-642000-000			三联用 3 spool	70036334
	JP300-643000-000			四联用 4 spool	70036346
29	GB97.1-85	垫圈 8 Washer 8	4		20000034
30	GB93-87	垫圈 8 Washer 8	4		20000026
31	GB5783-86	螺栓 M8×25 Bolt M8×25	4		20000367
32	GB97.1-85	垫圈 10 Washer 10	3		20000686
33	GB93-87	垫圈 10 Washer 10	3		20000003
34	GB5786-86	螺栓 M10×1.25×30 Bolt M10×1.25×30	3		20001316
35	JP300-640005-000	连接杆 Joint	2	三联 3,四联 4(Q'ty)	70036336
36	JP301-640001-000	垫片 Plate	1	CPD10-30JD1	70036430
37	JP301-640003-000	座垫 Retainer	1	CPD10-30JD1	70036432
38	JP301-640002-000	电位器支架 Cap	1	CPD10-30JD1	70036431

图 37 多路阀操纵 AC
Fig. 37 Control valve AC



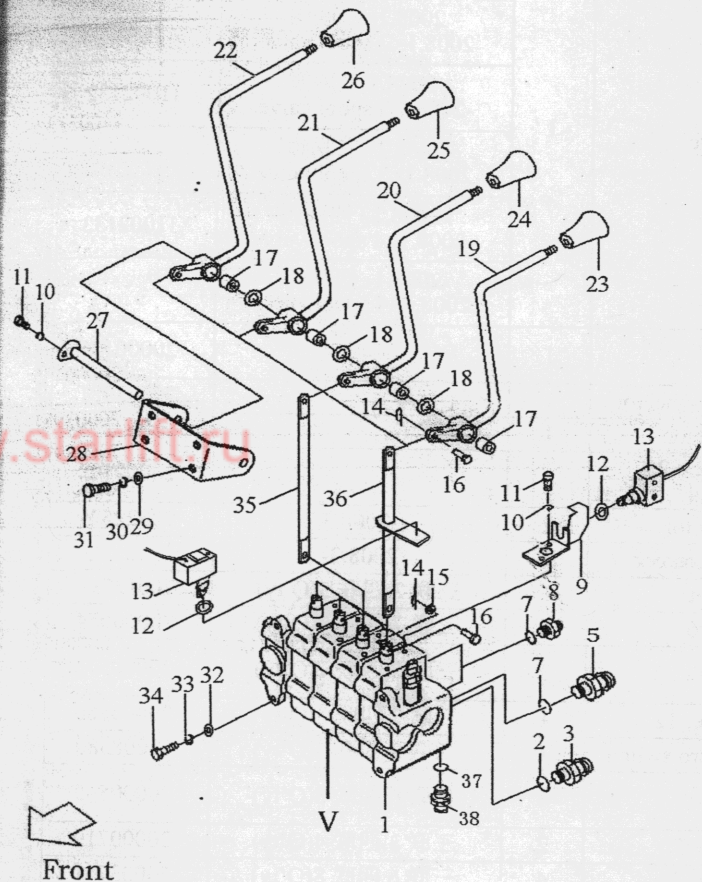
序号 Item No.	代号 Part No.	名称 Description	数量 Q'ty	备注或适用车型 Remarks or Series No.	物料码 Code No.
1	CDB2-F15DC-02-G00	多路换向阀 Multi-way valve	1	-2008.1, 二联阀 -2008.1, 2 spool valve	11002131
	CDB2-F15DY-02-G00			2008.1-,二联阀 2008.1-,2 spool valve	
	CDB2-F15DC-03-G00			-2008.1,三联阀 -2008.1,3 spool valve	11002132
	CDB2-F15DY-03-G00			2008.1-,三联阀 2008.1-,3 spool valve	
	CDB2-F15DC-04a-G00			-2008.1, 四联阀 -2008.1, 4 spool valve	11002133
	CDB2-F15DY-04a-G00			2008.1-,四联阀 2008.1-,4 spool valve	
2	GB1235-76	O 形密封圈 24×2.4 O-Ring 24×2.4	1		20000138
3	30DH-600001	直通管接头 Connector	1		70003981
5	JS160-611401-000	接头体 Connector	1		70003973
7	GB1235-76	O 形密封圈 22×2.4 O-Ring 22×2.4	3		20000123
8	N163-611801-000	接头体 Connector	2	-2008.3	70022529
	JP451-640100-000	调向三通接头 Connector	2	2008.3-	
9	25PH-613000	开关架 Bracket	1	三联 2,四联 3(Q'ty)	70012298
10	GB93-87	垫圈 6 Washer6	5	三联 7,四联 9(Q'ty)	20000054
11	GB5783-86	螺栓 M6×12 Bolt M6×12	3	三联 5,四联 7(Q'ty)	20000573
12	GB861.1-87	垫圈 12 Washer 12	1	三联 2,四联 3(Q'ty)	20004980
13	TM1308-G00	微动开关 Micro switch	1	三联 2,四联 3(Q'ty)	11008380
14	GB91-86	销 1.6×12 Pin1.6×12	4	三联 6,四联 8(Q'ty)	20000565
15	GB97.1-85	垫圈 5 Washer 5	2	三联 3,四联 4(Q'ty)	20000719
16	25DE-71-3	销轴 Pin shaft	4	三联 6,四联 8(Q'ty)	70003761
17	3E-610005	轴套 Shaft sleeve	2	三联 3,四联 4(Q'ty)	70003759
18	3E-610006	垫圈 Washer	1	三联 2,四联 3(Q'ty)	70003760

图 37 多
Fig. 37 Cc



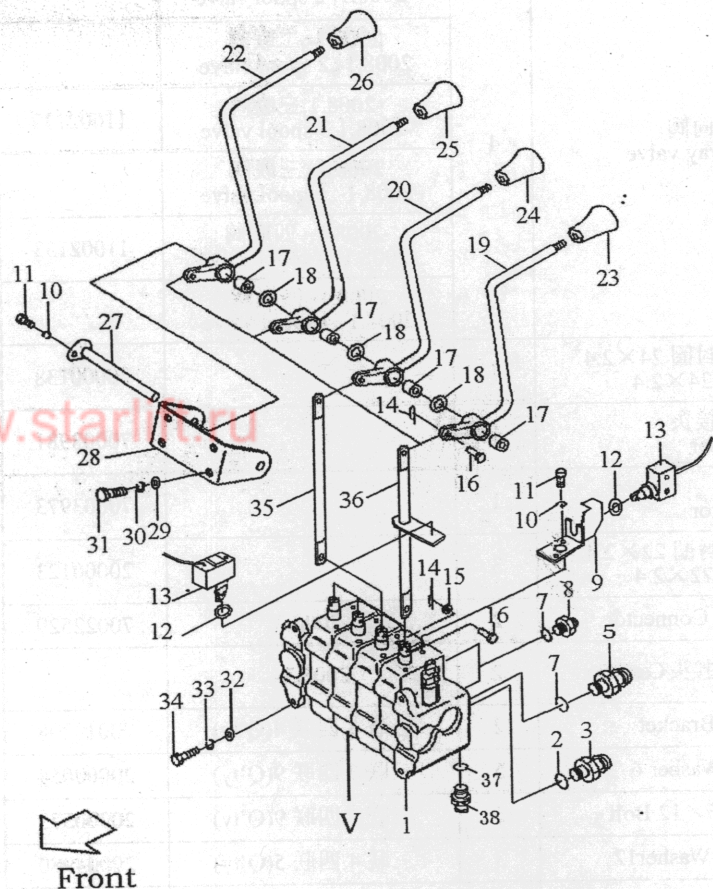
- 物料码 Code No.
- 20000719
- 70003761
- 70003759
- 70003760
- 70036342
- 70036337
- 70036348
- 70036344
- 70004773
- 70004772
- 70009200
- 70004751
- 70009199
- 70009198
- 70003756
- 70003757
- 70003758
- 70036340
- 70036334
- 70036346
- 20000034
- 20000026
- 20000367

图 36 多路阀操纵 DC
Fig. 36 Control valve DC



序号 Item No.	代号 Part No.	名称 Description	数量 Q'ty	备注或适用车型 Remarks or Series No.	物料码 Code No.
32	GB97.1-85	垫圈 10 Washer 10	3		20000686
33	GB93-87	垫圈 10 Washer 10	3		20000003
34	GB5786-86	螺栓 M10×1.25×30 Bolt M10×1.25×30	3		20001316
35	JP300-640005-000	连接杆 Joint	1	三联 2,四联 3(Q'ty)	70036336
36	JP300-648000-000	连接杆 Joint	1	CPD10-30J	70036350
37	GB1235-76	O 形密封圈 14×2.4 O-Ring 14×2.4	1	2008.3-	
38	JP451-640002-001	直通接头 Connecto	1	2008.3-	

图 36 多路阀操纵 DC
Fig. 36 Control valve DC

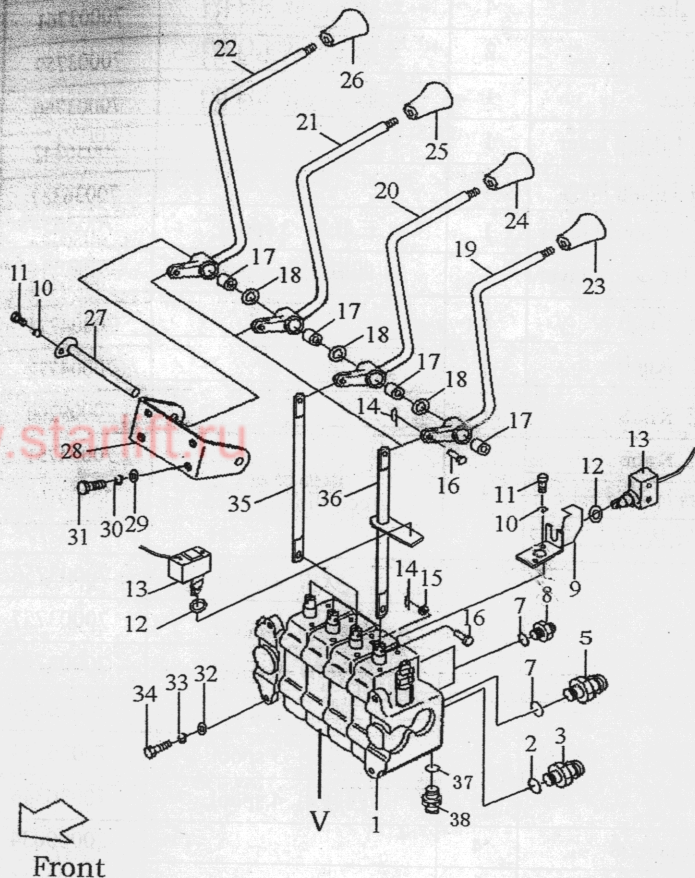


序号 Item No.	代号 Part No.	名称 Description	数量 Q'ty	备注或适用车型 Remarks or Series No.	物料码 Code No.
15	GB97.1-85	垫圈 5 Washer 5	2	三联 3,四联 4(Q'ty)	20000719
16	25DE-71-3	销轴 Pin shaft	4	三联 6,四联 8(Q'ty)	70003761
17	3E-610005	轴套 Shaft sleeve	2	三联 3,四联 4(Q'ty)	70003759
18	3E-610006	垫圈 Washer	1	三联 2,四联 3(Q'ty)	70003760
19	JP300-644000-000	起升手柄 Lifting lever	1		70036342
20	JP300-645000-000	倾斜手柄 Tilting lever	1		70036337
21	JP300-646000-000	属具手柄 I Control lever	1	三联用 3 spool	70036348
22	JP300-647000-000	属具手柄 II Control lever	1	四联用 4spool	70036344
23	N163-610001-000	起升手把 Knob	1		70004773
24	N163-610002-000	倾斜手把 Knob	1		70004772
25	30DH-610008	侧移手把 Knob	1		70009200
26	N163-610003-000	属具手把 Knob	1	根据需要 According to need	70004751
	30DH-610010	标签(旋转) Label			70009199
	30DH-610009	标签(夹紧,放松) Label			70009198
27	3E-615000	销轴 Pin shaft	1	二联用 2spool	70003756
	3E-616000			三联用 3 spool	70003757
	3E-617000			四联用 4 spool	70003758
28	JP300-641000-000	支架 Bracket	1	二联用 2 spool	70036340
	JP300-642000-000			三联用 3 spool	70036334
	JP300-643000-000			四联用 4 spool	70036346
29	GB97.1-85	垫圈 8 Washer 8	4		20000034
30	GB93-87	垫圈 8 Washer 8	4		20000026
31	GB5783-86	螺栓 M8×25 Bolt M8×25	4		20000367

图 36
Fig. 36

物料码
Code No.

图36 多路阀操纵 DC
Fig.36 Control valve DC



序号 Item No.	代号 Part No.	名称 Description	数量 Q'ty	备注或适用车型 Remarks or Series No.	物料码 Code No.
1	CDB2-F15DC-02-G00	多路换向阀 Multi-way valve	1	-2008.1, 二联阀 -2008.1, 2 spool valve	11002131
	CDB2-F15DY-02-G00			2008.1-,二联阀 2008.1-,2 spool valve	
	CDB2-F15DC-03-G00			-2008.1,三联阀 -2008.1,3 spool valve	11002132
	CDB2-F15DY-03 G00			2008.1-,三联阀 2008.1-,3 spool valve	
	CDE2-F15DC-04a-G00			-2008.1, 四联阀 -2008.1, 4 spool valve	11002133
	CDB2-F15DY-04a-G00			2008.1-,四联阀 2008.1-,4 spool valve	
2	GB1235-76	O形密封圈 24×2.4 O-Ring 24×2.4	1		20000138
3	30DH-600001	直通管接头 Connector	1		70003981
5	JS160-611401-000	接头体 Connector	1		70003973
7	GB1235-76	O形密封圈 22×2.4 O-Ring 22×2.4	3		20000123
8	N163-611801-000	接头体 Connector	2	-2008.3	70022529
	JP451-640100-000	调向三通接头 Connector	2	2008.3-	
9	25PH-613000	开关架 Bracket	2	三联 3,四联 4(Q'ty)	70012298
10	GB93-87	垫圈 6 Washer 6	5	三联 7,四联 9(Q'ty)	20000054
11	GB5783-86	螺栓 M6×12 Bolt	5	三联 7,四联 9(Q'ty)	20000573
12	GB861.1-87	垫圈 12 Washer12	3	三联 4,四联 5(Q'ty)	20004980
13	TM1308-G00	微动开关 Micro switch	3	三联 4,四联 5(Q'ty)	11008380
14	GB91-86	销 1.6×12 Pin 1.6×12	4	三联 6,四联 8(Q'ty)	20000565