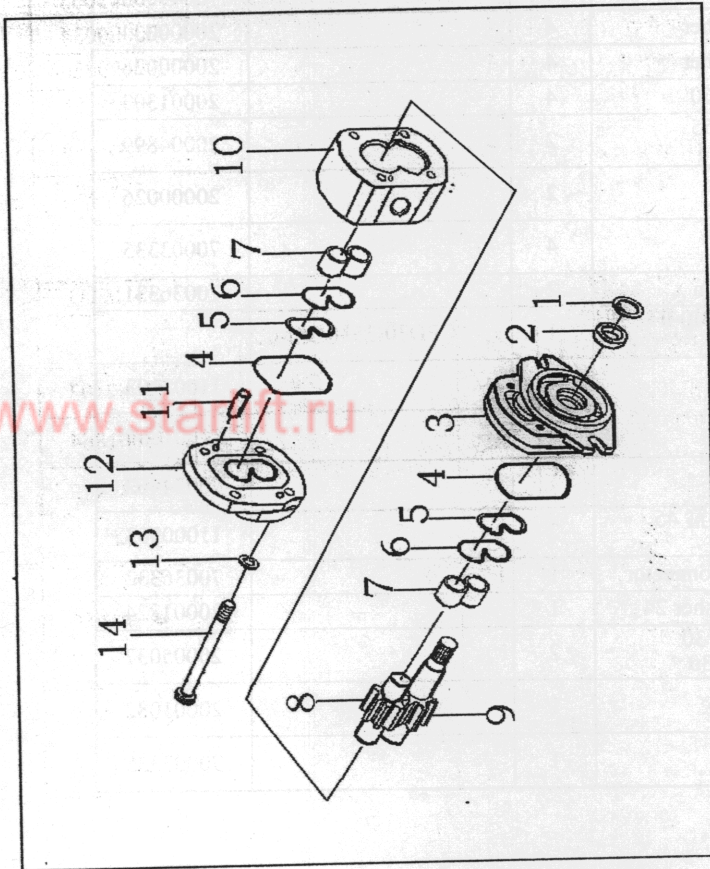


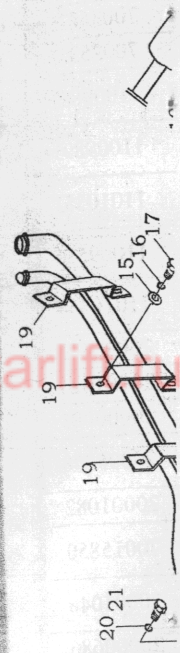
图 31 泵总成
Fig.31 Oil Pump

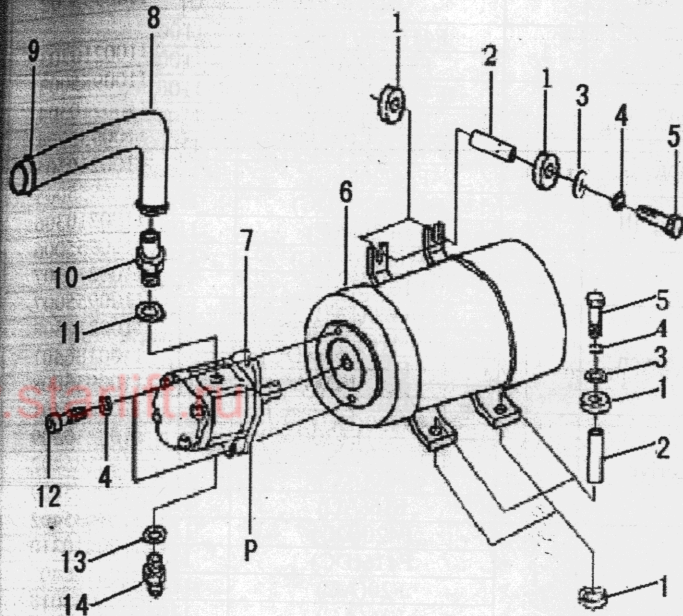


NOTE: DO NOT SUPPLY PARTS 1-14 SEPARATELY.

序号 Item No.	代号 Part No.	名称 Description	数量 Q'ty	备注或适用车型 Remarks or Series No.	物料码 Code No.
1	NO PART NO.	挡圈 Closing ring	1	F416/420 (DC)	1100210301
				F16/20(AC)	1100955001
				SGP1	
2	NO PART NO.	油封 Shaft seal	2	F416/420 (DC)	1100210302
				F16/20(AC)	1100955002
				SGP1	
3	NO PART NO.	前盖 Front cover	1	F416/420 (DC)	1100210303
				F16/20(AC)	1100955003
				F416/420 (DC)	1100210304
4	NO PART NO.	密封圈 I Seal ring I	2	F16/20(AC)	1100955004
				F416/420 (DC)	1100210305
				F16/20(AC)	1100955005
5	NO PART NO.	密封圈 II Seal ring II	2	F416/420 (DC)	1100210306
				F16/20(AC)	1100955006
				F416/420 (DC)	1100210307
6	NO PART NO.	密封圈 III Seal ring III	2	F16/20(AC)	1100955007
				F416/420 (DC)	1100210308
				F16/20(AC)	1100955007
7	NO PART NO.	轴衬 Bushing	2	F420(DC)	1100210308
				F416(DC)	1100186401
				F20(AC)	1100955008
				F16(AC)	1101035401
				F420(DC)	1100210309
				F416(DC)	1100186402
				F20(AC)	1100955009
8	NO PART NO.	从动齿轮 Gear,driven	1	F16(AC)	1101035402
				F420(DC)	1100210310
				F416(DC)	1100186403
				F20(AC)	1100955010
				F16(AC)	1101035403
				F420(DC)	1100210311
				F416(DC)	1100186404
9	NO PART NO.	主动齿轮 Gear,drive	1	F16(AC)	1101035402
				F420(DC)	1100210310
				F416(DC)	1100186403
10	NO PART NO.	泵体 Body	1	F20(AC)	1100955010
				F16(AC)	1101035403
				F420(DC)	1100210311
				F416(DC)	1100186404
11	NO PART NO.	销 Plug	4		
12	NO PART NO.	后盖 Rear cover	1	F416/420 (DC)	1100210312
				F16/20(AC)	1100955012
13	NO PART NO.	垫圈 Washer	4		1100210313
14	NO PART NO.	螺栓 Bolt	2	F416/420 (DC)	1100210314
				4	F16/20(AC)
K1	K1-F420 (DC)	密封件修理包 Seal kit	1	INC. 1,2,4,5,6	1100210315
K2	K2-F416 (DC)	密封件修理包 Seal kit	1	INC. 1,2,4,5,6	1100186404
K3	K3-F20 (AC)	密封件修理包 Seal kit	1	INC. 1,2,4,5,6	1100955015
K4	K4-F16 (AC)	密封件修理包 Seal kit	1	INC. 1,2,4,5,6	1101035404

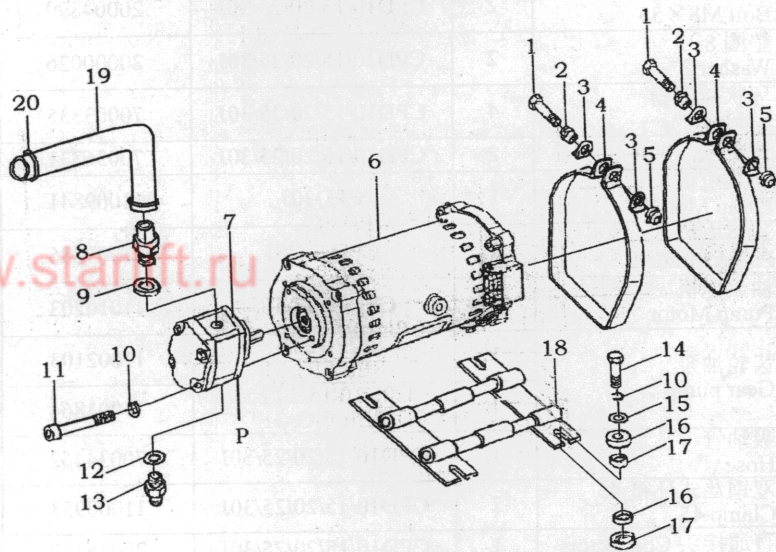
图 32
Fig. 32



物料码
Code No.图 30
Fig.30油泵装置 (交流)
Pump device (AC)

序号 Item No.	代号 Part No.	名称 Description	数量 Q'ty	备注或适用车型 Remarks or Series No.	物料码 Code No.
1	JP300-621000-000	环状减震器 Rubber	8		70034464
2	JP300-620003-000	隔套	4		70043065
3	GB97.1-85	垫圈 8 Washer	4		20000034
4	GB93-87	垫圈 8 Washer	4		20000026
5	GB5783-86	螺栓 M8×60	4		20001303
6	GB5782-86	螺栓 M8×55 Bolt M8×55	2		20004899
7	GB93-87	垫圈 8 Washer 8	2		20000026
8	30DH-322000	环状减震器 Rubber	4		70003335
9	JP300-620002-000	调整垫 Shim	2		70036331
6	JP306-610000-W00	油泵电机 YDB10-4HC Pump Motor	1	CPD30/35J-C2	
7	CBTDHF420-ALH4-G00	齿轮油泵	1		11002103
	CBTDHF416-ALH4-G00	Gear pump	1		11001864
8	JP300-600001-000	吸油管 Hose	1		70034462
9	Q672-45-G00	双钢丝式环箍 45 Clamp 45	2		11000953
10	JP300-620001-000	直通接头 Connector	1		70036332
11	JB982-77	垫圈 24 Washer 24	1		20001824
12	GB5783-86	螺栓 M10×30 Bolt M10×30	2		20005037
13	JB982-77	垫圈 22 Washer 22	1		20001082
14	25PH-600006	直通管接头 Connector	1		70003335

图 29 油泵装置(交流)
Fig.29 Pump device (AC)



序号 Item No.	代号 Part No.	名称 Description	数量 Q'ty	备注或适用车型 Remarks or Series No.	物料码 Code No.
1	GB5783-86	螺栓 M10×70 Bolt M10×70	2	CPD10-30JD1	20005047
2	JS160-632004-000	挡圈 Snap ring	2	CPD10-30JD1	70025359
3	JS160-632003-000	垫片 Shim	4	CPD10-30JD1	70025358
4	JP301-621001-000	环箍 Clamp	2	CPD10-30JD1	70036425
5	JS160-632002-000	方螺母 Nut	2	CPD10-30JD1	70025357
6	TSW112/4-195-T-80V-G00	电机 80V Pump Motor 80V	1	CPD30JD1	11009880
	TSW112/4-195-T-48V-G00	电机 48V Pump Motor 48V	1	CPD20/25JD1	11009895
	TSW112/4-150-T-48V-G00	电机 48V Pump Motor 48V	1	CPD10/15/18JD1	11010353
7	CBTDHE-F20-TL Φ-G00	齿轮油泵 Gear pump	1	CPD20/25/30JD1 SEE FIG. 31	11009550
	CBTDHE-F16-TL Φ-G00		1	CPD10/15/18JD1 SEE FIG. 31	11010354
8	JP300-620001-000	直通接头 Connector	1	CPD10-30JD1	70036332
9	JB982-77	垫圈 24 Washer 24	1	CPD10-30JD1	20001824
10	GB93-87	垫圈 10 Washer 10	6	CPD10-30JD1	20000003
11	GB70-85	螺钉 M10×130 Screw M10×130	2	CPD10-30JD1	20005048
12	JB982-77	垫圈 22 Washer 22	1	CPD10-30JD1	20001082
13	25PH-600006	直通管接头 Connector	1	CPD10-30JD1	70015850
14	GB5783-86	螺栓 M10×45 Bolt M10×45	4	CPD10-30JD1	20001046
15	GB97.1-85	垫圈 10 Washer 10	4	CPD10-30JD1	20000686
16	2D10-00-01	缓冲座 Buffer block	8	CPD10-30JD1	70002408
17	2D10-00-02	橡胶垫 Rubber pad	8	CPD10-30JD1	70002409
18	JP301-622000-000	电机托架 Motor bracket	1	CPD10-30JD1	70036426
19	JP300-600001-000	吸油管 Hose	1	CPD20/25/30JD1	70034462
	CPD10/15/18JD1			70039645	
20	Q672-45-G00	双钢丝式环箍 45 Clamp 45	2	CPD10-30JD1	11000953

图 30
Fig.30



10

11

12

1

物料码
Code No.

20002698

20000045

11001145

11009283

70034458

20000034

20000026

20000367

70034453

70034454

20003463

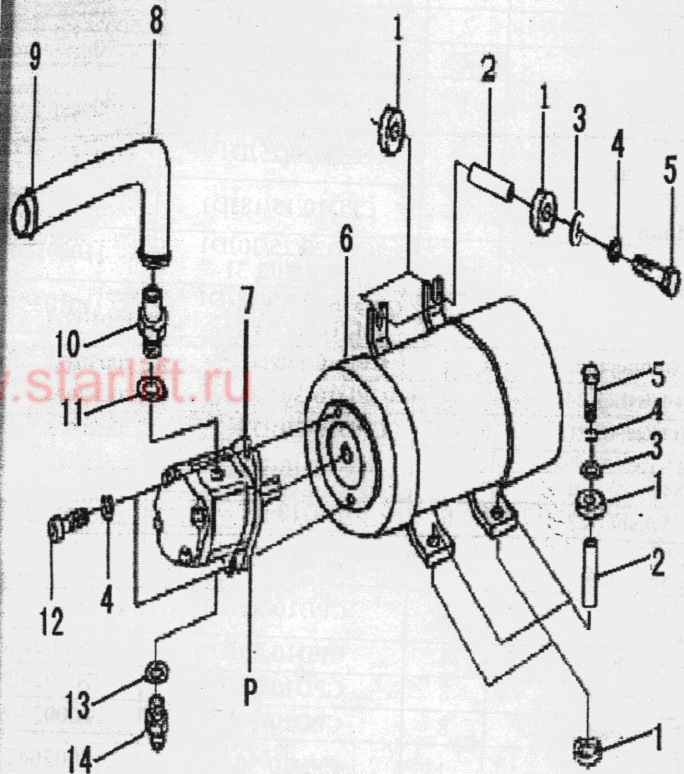
20000240

70022364

11007271

70034452

20005036

图 28
Fig.28油泵装置 (直流)
Pump device (DC)

序号 Item No.	代号 Part No.	名称 Description	数量 Q'ty	备注或适用车型 Remarks or Series No.	物料码 Code No.
1	JP300-621000-000	环状减震器 Rubber	8	CPD10/15/20/25/30J	70034464
2	JP300-620003-000	隔套	4	CPD10/15/20/25/30J	70043065
3	GB97.1-85	垫圈 8 Washer	4	CPD10/15/20/25/30J	20000034
4	GB93-87	垫圈 8 Washer	4	CPD10/15/20/25/30J	20000026
5	GB5783-86	螺栓 M8×60	4	CPD10/15/20/25/30J	20001303
6	GB5782-86	螺栓 M8×55 Bolt M8×55	2	CPD10/15/20/25/30J	20004899
7	GB93-87	垫圈 8 Washer 8	2	CPD10/15/20/25/30J	20000026
8	30DH-322000	环状减震器 Rubber	4	CPD10/15/20/25/30J	70003335
9	JP300-620002-000	调整垫 Shim	2	CPD10/15/20/25/30J	70036331
6	XQD-10-3D-G00	油泵电机 Pump Motor	1	CPD30J	11009841
	XQD-8.6-3D-G00	油泵电机 Pump Motor	1	CPD20/25J	11009886
	XQD-8.2-3D-G00	油泵电机 Pump Motor	1	CPD10/15/18J	11010203
7	CBTDH-F420-ALH4-G00	齿轮油泵 Gear pump	1	CPD30J SEE FIG. 31	11002103
	CBTDH-F416-ALH4-G00		1	CPD10/15/20/25J SEE FIG. 31	11001864
8	JP300-600001-000	吸油管 Hose	1	CPD10/15/20/25/30J	70034462
9	Q672-45-G00	双钢丝式环箍 45 Clamp 45	2	CPD10/15/20/25/30J	11000953
10	JP300-620001-000	直通接头 Connector	1	CPD10/15/20/25/30J	70036332
11	JB982-77	垫圈 24 Washer 24	1	CPD10/15/20/25/30J	20001824
12	GB5783-86	螺栓 M10×30 Bolt M10×30	2	CPD10/15/20/25/30J	20005037
13	JB982-77	垫圈 22 Washer 22	1	CPD10/15/20/25/30J	20001082
14	25PH-600006	直通管接头 Connector	1	CPD10/15/20/25/30J	70003335