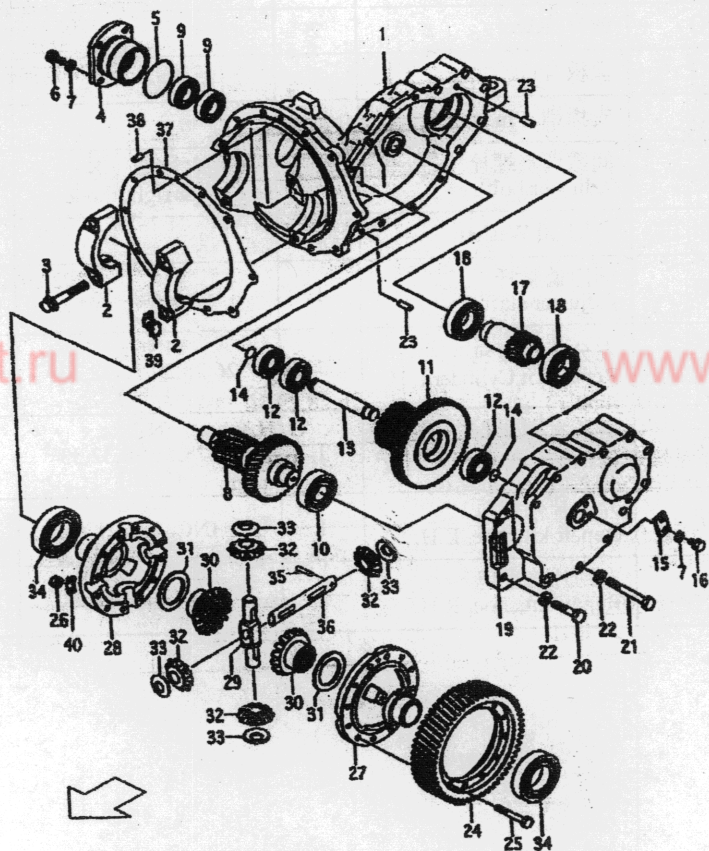


图 8 减速箱  
Fig. 8 Transmission gear box



序号 Item No.	代号 Part No.	名称 Description	数量 Q'ty	备注或适用车型 Remarks or Series No.	物料码 Code No.
1	HDCS20-0101	箱体 Transmission gear box house	1		1100985101
2	YQX25-0101	轴承座 Cap, bearing	2		1100985102
3	YQX30-0101	螺栓 Bolt	4		1100985103
4	HDCS20-0001	轴承座 Cap, bearing	1		1100985104
5	GB1235-76	O 型密封圈 80×3.1 O ring 80×3.1	1		1100985105
6	GB5786-86	螺栓 M10×1.25×25 Bolt M10×1.25×25	4		1100985106
7	GB93-87	垫圈 10 Washer 10	6		1100985107
8	HDCS20-0002	双联齿轮轴 Gear, Counter	1		1100985108
9	GB276-94	轴承 6206 Bearing 6206	2		1100985109
10	GB276-94	轴承 6307 Bearing 6307	1		1100985110
11	HDCS20-0004 HDCS20A-0002	双联齿轮 Gear, Counter	1	CPD10-30JD1 CPD10-35JC1 CPD10-30J	1100987901 1100985111
12	GB276-94	轴承 6305 Bearing 6305	3		1100985112
13	HDCS20-0003	轴 Shaft	1		1100985113



料码  
e No.

85101

85102

85103

85104

85105

85106

85107

85108

85109

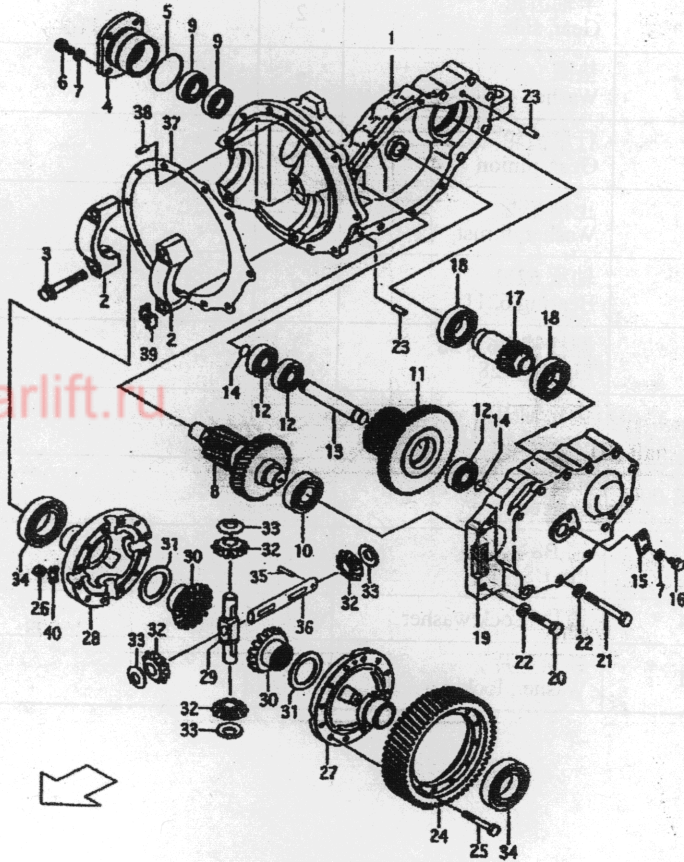
85110

87901

85111

85112

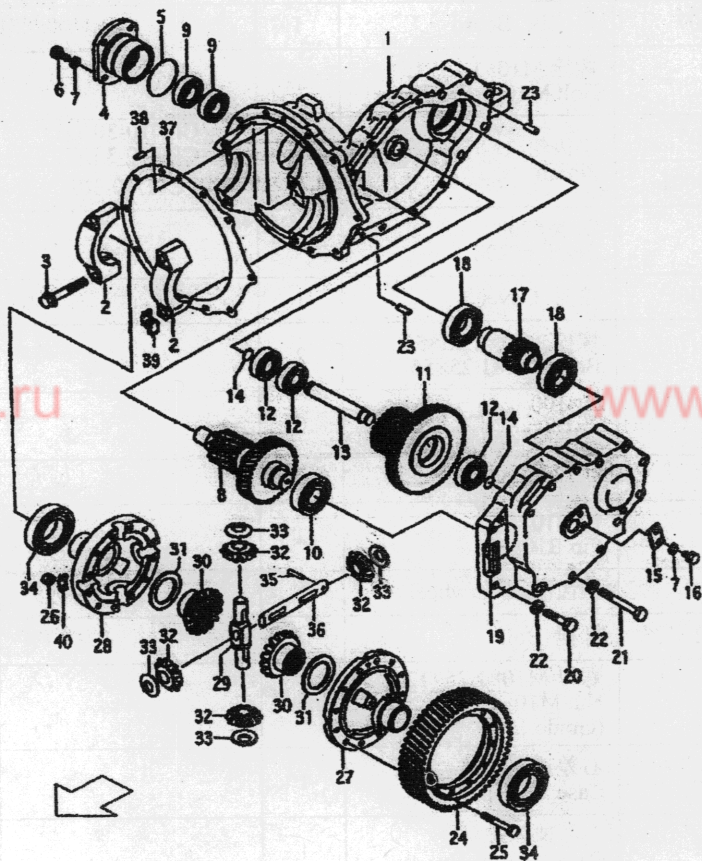
85113

图 8 减速箱  
Fig. 8 Transmission gear box

序号 Item No.	代号 Part No.	名称 Description	数量 Q'ty	备注或适用车型 Remarks or Series No.	物料码 Code No.
14	GB1235-76	O 型密封圈 25×2.4 O ring 25×2.4	2		1100985114
15	HDCS20-0007	定位板 Board	1		1100985115
16	GB5786-86	螺栓 M10×1.25×15 Bolt M10×1.25×15	2		1100985116
17	HDCS20-0005	小齿轮 Pinion	1	CPD10-30JD1	1100987902
	HDCS20A-0001			CPD10-35JC1	1100985117
18	GB276-94	轴承 6208 Bearing 6208	2		1100985118
19	HDCS20-0006	箱盖 Cover	1		1100985119
20	GB5785-86	螺栓 M12×1.25×55 Bolt M12×1.25×55	2		1100985120
21	GB5785-86	螺栓 M12×1.25×100 Bolt M12×1.25×100	6		1100985121
22	GB93-87	垫圈 12 Washer 12	8		1100985122
23	GB119-86	销 B10×28 Pin B10×28	2		1100985123
24	HDCS20-1001	大齿圈 Gearwheel	1		1100985124
25	YQX25-2002	螺栓 Bolt	12		1100985125
26	GB6176-86	螺母 M10×1.25 (12 级) Nut M10×1.25 (Grade 12)	12		1100985126
27	YQX25-2101	右差速器壳体 Case, cross R.H.	1		1100985127
28	YQX25-2102	左差速器壳体 Case, cross L.H.	1		1100985128



图 8 减速箱  
Fig. 8 Transmission gear box



序号 Item No.	代号 Part No.	名称 Description	数量 Q'ty	备注或适用车型 Remarks or Series No.	物料码 Code No.
29	YQX25-2008	齿轮轴(I) Gear shaft (I)	1		1100985129
30	YQX25-2009	半轴齿轮 Gear, side	2		1100985130
31	YQX25-2007	垫圈 Washer	2		1100985131
32	YQX25-2006	行星齿轮 Gear, pinion	4		1100985132
33	YQX25-2004	止推垫圈 Washer, thrust	4		1100985133
34	GB276-94	轴承 6211 Bearing 6211	2		1100985134
35	GB119-86	圆柱销 B6×28 Pin B6×28	1		1100985135
36	YQX25-2005	齿轮轴(II) Gear shaft (II)	1		1100985136
37	JP300-100002-000	纸垫 Gasket	1		70036384
38	GB120-85	销 B8×30 Pin B8×30	1		20003680
39	YQX25-0004	锁片 Lock washer	4		1100985137
40	YQX25-2001	锁紧垫片 Washer, locker	6		1100985138