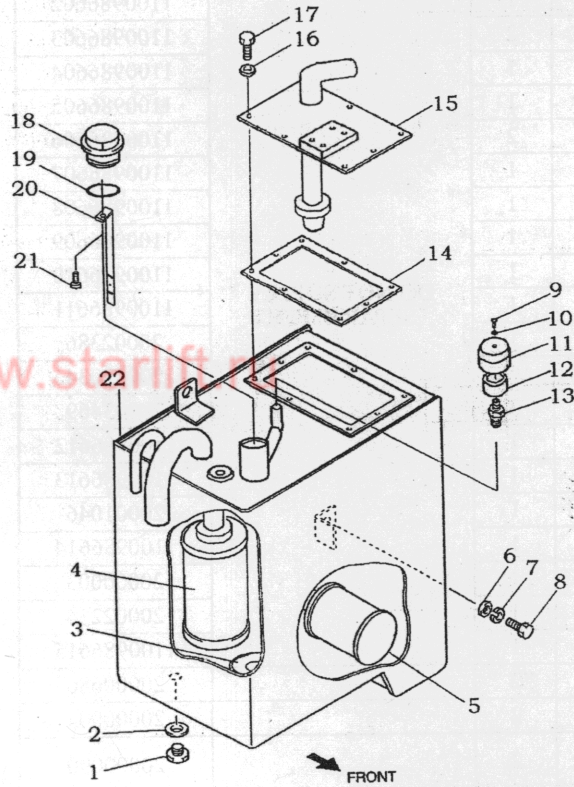
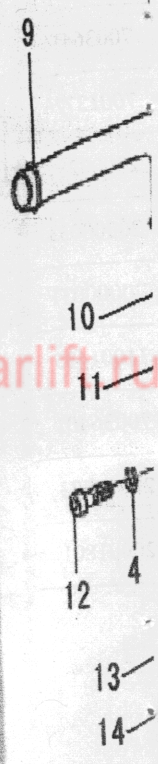


图 27 油箱
Fig.27 Oil tank



序号 Item No.	代号 Part No.	名称 Description	数量 Q'ty	备注或适用车型 Remarks or Series No.	物料码 Code No.
1	JB1001-77	螺塞 M14×1.5 Plug M14×1.5	1		20002698
2	JB982-77	垫圈 14 Washer 14	1		20000045
3	25DE-5114-8	磁铁 Magnet	1		11001145
4	H24C7-50201-G00	回油过滤器 Suction filter	1		11009283
5	JP300-614000-000	吸油过滤器 Filter	1		70034458
6	GB97.1-85	垫圈 8 Washer 8	2		20000034
7	GB93-87	垫圈 8 Washer 8	2		20000026
8	GB5783-86	螺栓 M8×25 Bolt M8×25	2		20000367
9	GB818-85	螺钉 M5×16 Screw M5×16	1		
10	GB93-87	垫圈 5 Washer 5	1		
11	JP300-615004-W00	呼吸器罩 Cover	1		
12	JP300-615001-W00	滤芯 Filter element	1		
13	JP300-615100-W00	呼吸器座 Pipe connector	1		
14	JP300-610001-000	垫 Packing	1		70034453
15	JP300-613000-000	盖板 Cover	1	1.5-3.5t	70034454
16	JB982-77	垫圈 6 Washer	8		20003463
17	GB5783-86	螺栓 M6×16 Bolt M6×16	8		20000240
18	N163-603301-000	盖 Cover	1		70022364
19	JISB2401-P29-G00	O形密封圈 P29 O-ring P29	1		11007271
20	JP300-612001-000	标尺 Ruler	1		70034452
21	GB818-85	螺钉 M4×6 Screw M4×6	1		20005036
22	JP300-611000-000	油箱 Oil tank	1	1.5-3.5t	

图 28
Fig.28



1