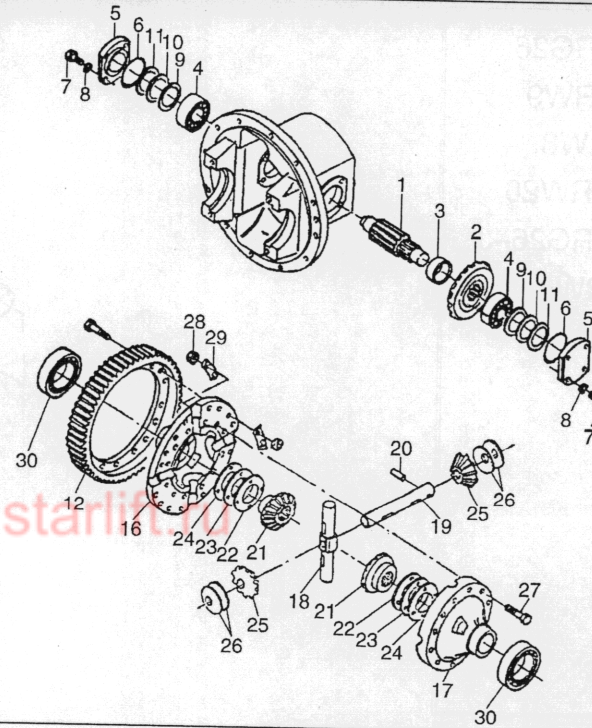


图 19/FIG.19

减速器和差速器/Reduction & differential

全部车型  
All models of truck

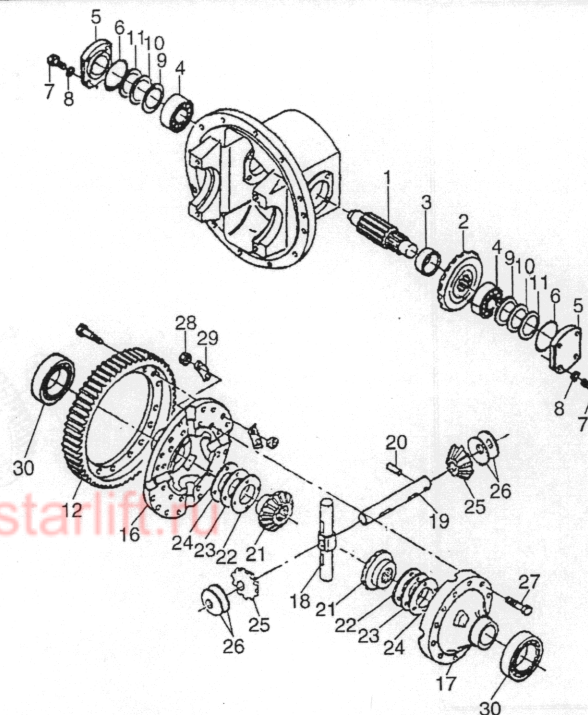


序号 Item	代号 Part No.	物料码 Material code	名称 Description	数量 Q'ty	日期 Date	备注 Remarks
1	YDS25.016		齿轴	1		
2	YDS18.004		螺旋伞齿轮	1		
3	YDS30.086		衬套	1		
4	GB/T297-94		圆锥滚子轴承 32207	2		
5	YDS30.087		轴承盖	2		
6	GB1235-76		O形圈 75x3.1	2		
7	GB5783-86		螺栓 M10x25	8		
8	GB93-87		弹簧垫圈 10	8		
9	YDS30.090		垫片 δ=0.1,0.15	2		} 3组选装6件 } select 6 piece } in 3 groups
10	YDS30.090		垫片 δ=0.2	2		
11	YDS30.090		垫片 δ=0.5	2		

图 19/FIG.19

减速器和差速器/Reduction & differential

全部车型  
All models of truck

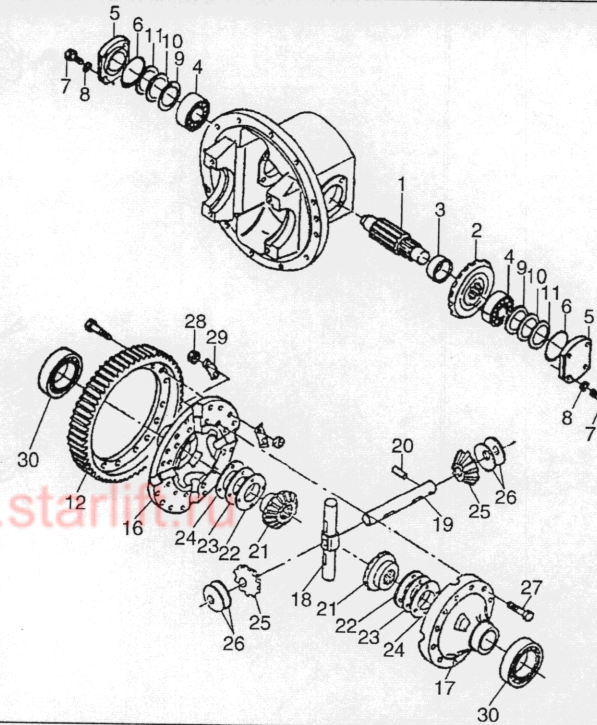


序号 Item	代号 Part No.	物料码 Material code	名称 Description	数量 Q'ty	日期 Date	备注 Remarks
12	YDS25.010		齿圈 Gear,ring	1		
16	YDS25.004		右差速器壳 Case,cross R,H	1		
17	YDS25.005		左差速器壳 Case,cross L,H	1		
18	YDS25.008		齿轮轴 (I) Shaft,pinion	1		
19	YDS25.009		齿轮轴 (II) Shaft,pinion	1		
20	GB119-86		圆柱销 B6x28 Pin parallel	1		
21	YDS25.011		半轴齿轮 Gear,side	2		
22	YDS25.012		垫圈 δ=1.8 Washer	2		
23	YDS25.012		垫圈 δ=2.0 Washer	2		
24	YDS25.012		垫圈 δ=2.2,2.5 Washer	2		

图 19/FIG.19

减速器和差速器/Reduction & differential

全部车型  
All models of truck



序号 Item	代号 Part No.	物料码 Material code	名称 Description	数量 Q'ty	日期 Date	备注 Remarks
25	YDS25.007		行星齿轮 Gear, pinion	4		
26	YDS25.006		止推垫片 $\delta=1.8, 2.0, 2.2$ Washer, thruet	4		
27	YDS25.013		螺栓 Bolt	12		
28	GB6176-86		螺母 M10×1.25-12 级 Nut	16		
29	YDS25.014		锁紧垫片 Washer, lock	6		
30	GB/T276-94		深沟球轴承 6211 Deep groove ball bearings	2		