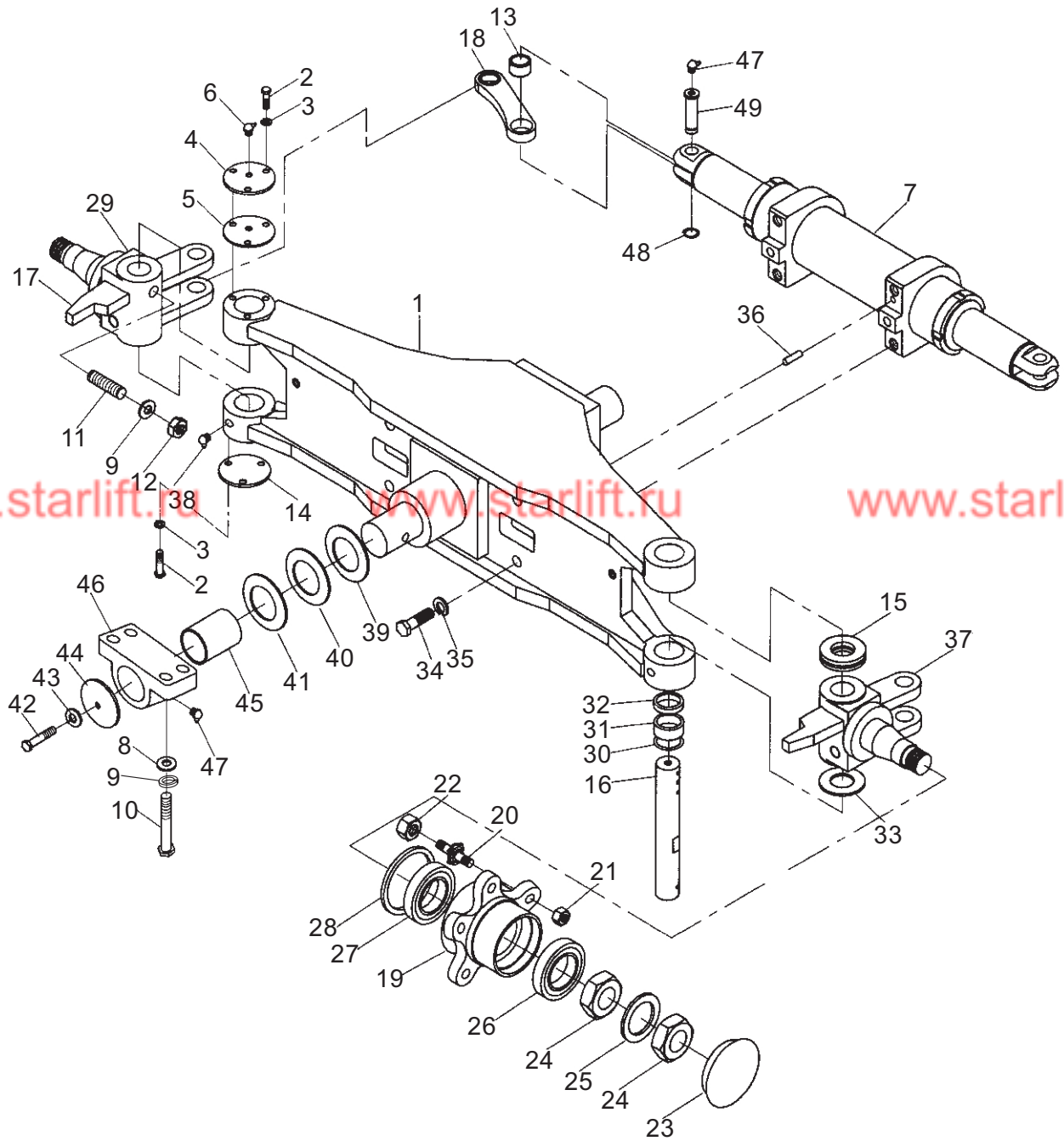


转向桥
Steering axle

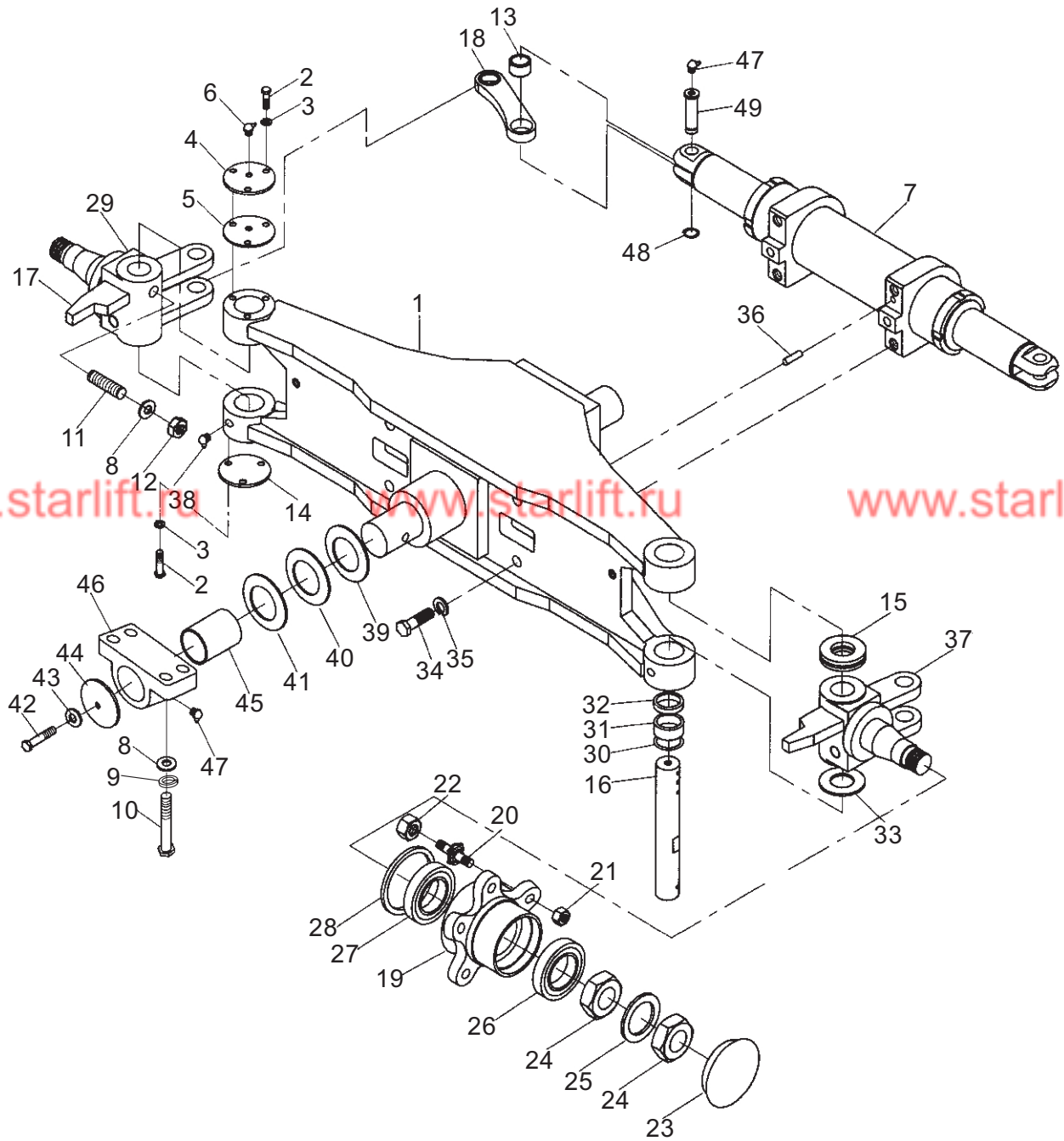


转向桥

Steering axle

序号 Item	零件号 Part No	零部件名称 Description	数量 Q'ty	备注 Remark
1	A50A6-10200	转向桥总成 Axle ass'y	1	
2	GB/T5783-2000	螺栓M8×16 Bolt	12	
3	GB/T93-1987	弹垫8 Washer,lock	12	
4	A50A6-10201	主销盖 Cap,hub	2	
5	A50A6-10202	密封垫片 Washer	2	
6	ZBT33001.2-88	弯颈式滑脂嘴 Fitting,grease	2	
7	A50A6-10400	转向油缸总成 Power cylinder ass'y	1	
8	GB/T97.1-1985	平垫16 Washer,lock	8	
9	GB/T93-1987	弹垫16 Washer,lock	10	
10	GB/T5783-2000	螺栓M16×1.5×60 Bolt	8	
11	GB/T78-1985	螺钉M16×50 Screw	2	
12	GB/T6170-2000	螺母M16 Nut	2	
13	GB9163-90	轴承GE30ES Bearing	4	
14	A50A6-10203	主销下盖 Nut	2	
15	A50A6-10204	止推轴承 Bearing	2	
16	A50A6-10205	转向节主销 Pin,king	2	
17	A50A6-10206	限位板 Board	2	
18	A50A6-10207	连杆 Link	2	
19	A50A6-10208	轮毂8. 25-15-14PR Hub	2	
20	A50A6-10209	轮毂螺栓 Bolt,hub	12	
21	A50A6-10210	轮毂螺母 Nut,hub	12	
22	GB/T6171-2000	螺母M20×1.5 Nut	12	
23	A50A6-10211	轮毂盖 Cap, hub	2	
24	GB812-88	螺母M55×2 Nut	4	
25	GB858-88	垫圈55 Washer	2	

转向桥
Steering axle

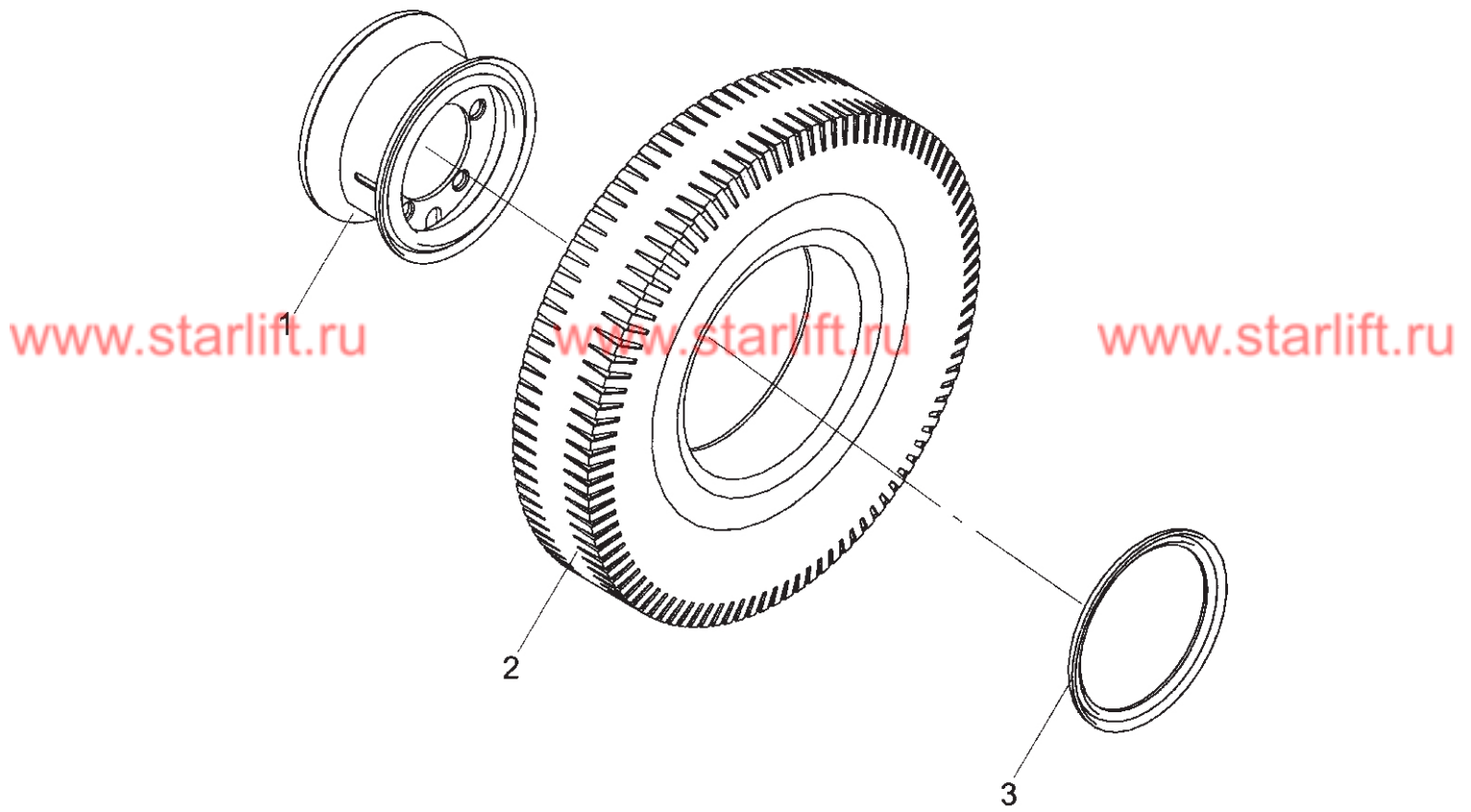


转向桥

Steering axle

序号 Item	零件号 Part No	零部件名称 Description	数量 Q'ty	备注 Remark
26	GB/T297-94	轴承32211 Bearing	2	
27	GB/T297-94	轴承32215 Bearing	2	
28	GB9877.1-88	U型密封圈B95×130×12D U-ring	2	
29	A50A6-10500(R)	右转向节总成 Knuckle,R.H. ass'y	1	
30	A50A6-10212	油封 Seal, oil	4	
31	A50A6-10213	滚针轴承 Bearing,needle	8	
32	A50A6-10214	隔套 Spacer	2	
33	A50A6-10215	调整垫 Shim	2	
34	GB/T5786-2000	螺栓M20×1.5×55 Bolt	4	
35	GB/T93-1987	弹垫20 Washer,lock	4	
36	GB/T119-2000	销B16×32 Pin	2	
37	A50A6-10500(L)	左转向节总成 Knuckle,L.H. assy	1	
38	ZBT33001.1-88	直通式滑脂嘴 Fitting,grease	2	
39	A50A6-10216	调整垫 Shim	2	
40	A50A6-10217	调整垫 Shim	2	
41	A50A6-10218	调整垫 Shim	2	
42	GB/T5786-2000	螺栓M12×1.5×25 Bolt	2	
43	GB/T93-1987	弹垫12 Washer,lock	2	
44	A50A6-10219	轴端挡板 Plate	2	
45	A50A6-10220	衬套 Bushing	4	
46	A50A6-10221	转向桥座 Bracket	2	
47	ZBT33001.1-88	直通式滑脂嘴M6 Fitting,grease	4	
48	GB/T894.1-2000	挡圈30 Snap ring	4	
49	A50A6-10222	连杆销 Pin	4	

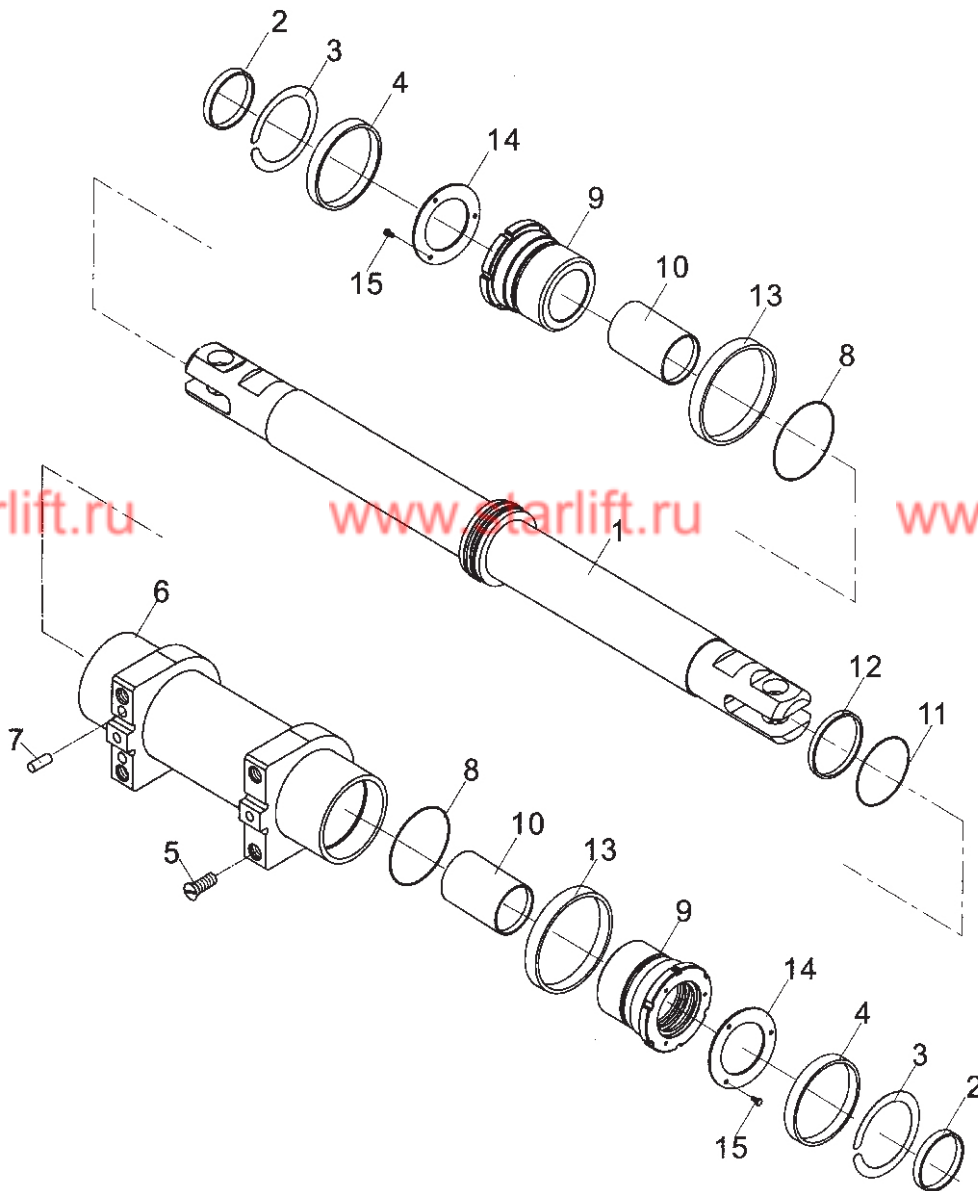
转向轮
Steering wheel



转向轮
Steering wheel

序号 Item	零件号 Part No	零部件名称 Description	数量 Q'ty	备注 Remark
1	A50A6-10300	轮辋总成6.5-15 Rim ass'y	2	
2	GB2982-2001	轮胎8.25-15-14PR Tire	2	
3	A50A6-10301	轮胎挡圈 Snap,ring	2	

转向油缸
Steering cylinder



转向油缸 Steering cylinder

序号 Item	零件号 Part No	零部件名称 Description	数量 Q'ty	备注 Remark
A	A50A6-10400	转向油缸 Power cylinder	1	
1	A50A6-10600	活塞杆总成 Piston rod ass'y	1	
2	A50A6-10401	防尘圈d85 Dust ring	2	
3	A50A6-10402	挡圈85×100×3 Ring, snap	2	
4	A50A6-10403	U型密封圈d85 U-ring	2	
5	A50A6-10404	堵头M16×1.5×16 Plug	2	
6	A50A6-10405	缸筒体 Body, steering cylinder	1	
7	A50A6-10406	紧固销 Pin	2	
8	GB/T1235-76	O型圈115×3.1 O-ring	2	
9	A50A6-10407	导向套 Guide	2	
10	A50A6-10408	钢背轴承8580 Bushing	2	
11	GB/T1235-76	O型圈110×5.7 O-ring	1	
12	A50A6-10409	支承环 Seal, slipper	1	
13	A50A6-10410	导向套支承环 Sear, slipper	2	
14	A50A6-10411	挡片 Ring	2	
15	GB/T67-1985	螺钉M4×10 Screw	8	