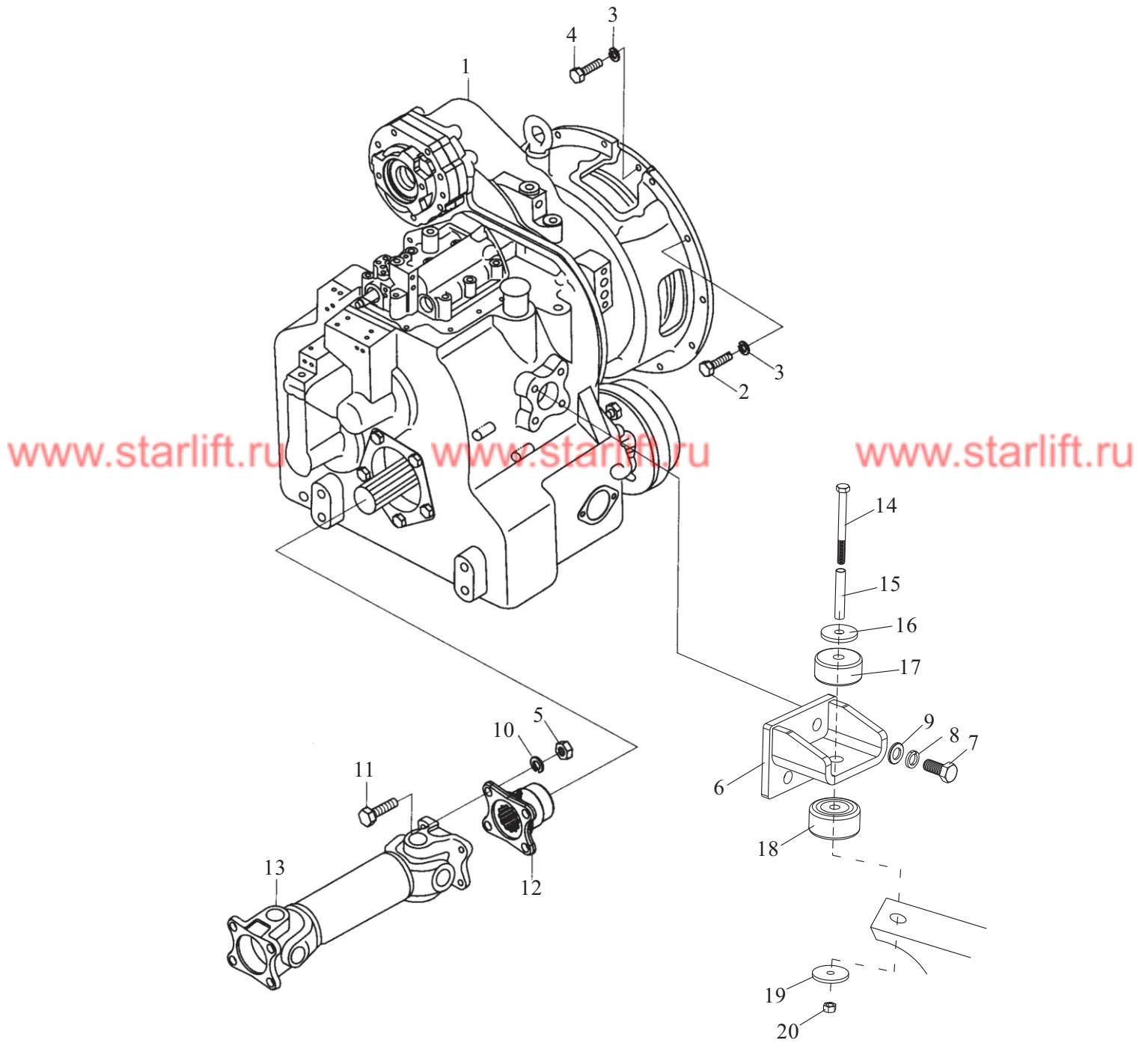


传动装置安装  
Drive unit mount

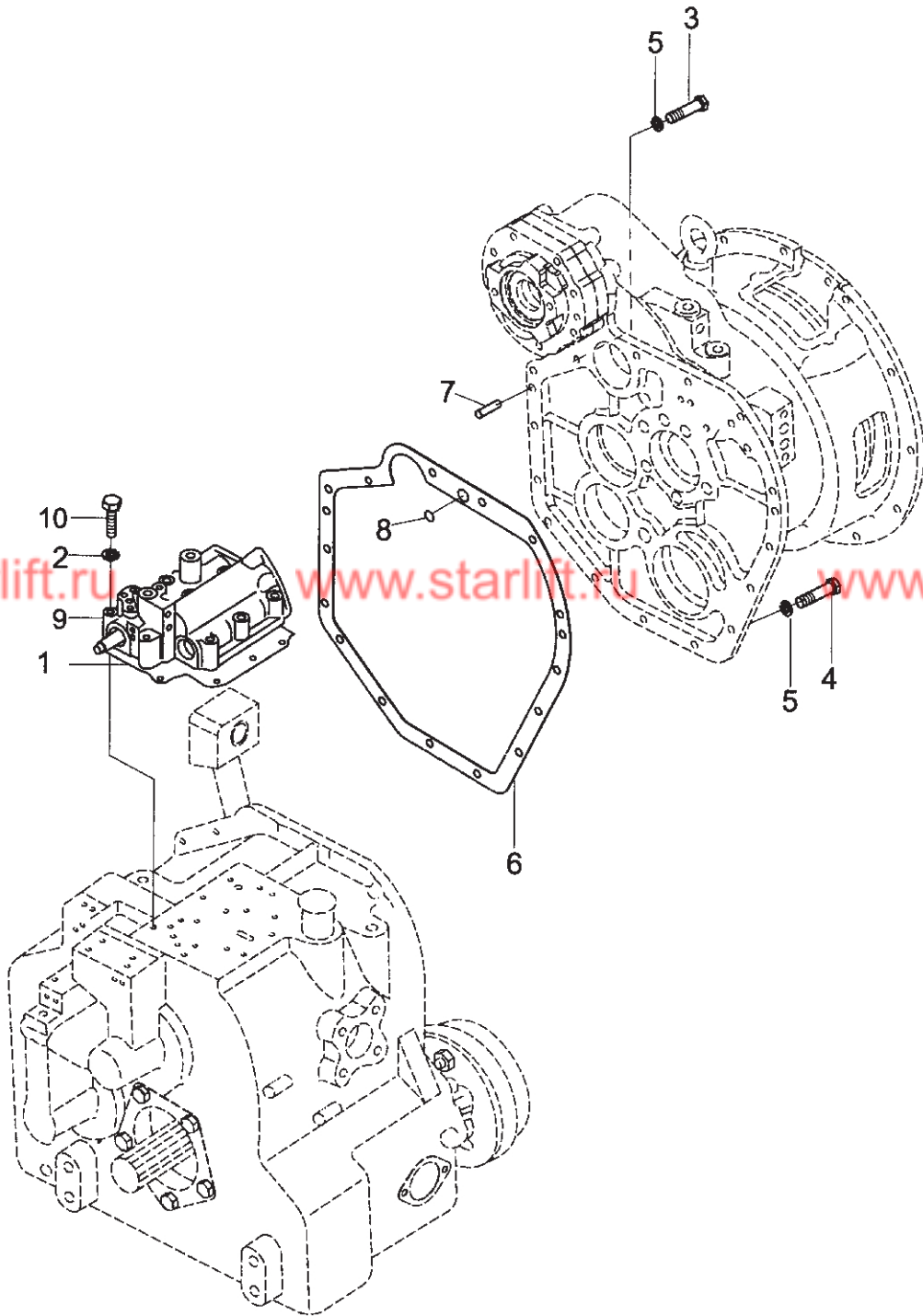


## 传动装置安装

### Drive unit mount

序号 Item	零件号 Part No	零部件名称 Description	数量 Q'ty	备注 Remark
1	A50A5-00400	电液变速箱总成 Drive unit	1	FD50,60,70BG-CY1
	A50A5-00800	手液变速箱总成 Drive unit	1	FD50,60,70BG-CY1
	A50B5-00100	电液变速箱总成 Drive unit	1	FD50,60,70BG-W3
	A50B5-00300	手液变速箱总成 Drive unit	1	FD50,60,70BG-W3
	A50E5-00100	电液变速箱总成 Drive unit	1	FD50,60,70BG-S3
	A50E5-00300	手液变速箱总成 Drive unit	1	FD50,60,70BG-S3
2	GB/T5783-2000	螺栓 M10×30 Bolt	12	
3	GB/T93-1987	弹垫10 Washer, lock	22	
4	GB/T5783-2000	螺栓 M10×25 Bolt	10	
5	GB/T6171-2000	螺母M14×1.5 Nut	8	
6	A50A5-00500	变速箱支架 Bracket, drive	2	
7	GB/T5786-2000	螺栓M16×1.5×35 Bolt	8	
8	GB/T93-1987	弹垫16 Washer, lock	8	
9	GB/T97.2-1985	平垫16 Washer	8	
10	GB/T93-1987	弹垫14 Washer, lock	8	
11	A50A5-00001	铰制螺栓 Bolt	8	
12	A50A5-00401	联接套 Joint bushing	1	
13	A50A5-00300	传动轴总成 Propeller shaft ass'y	1	FD50,60,70BG-CY1/S3
	A50B5-00200	传动轴总成 Propeller shaft ass'y	1	FD50,60,70BG-W3
14	GB/T5782-2000	螺栓M10×110×35 Bolt	2	
15	A30A5-10002	套管 Plastic pipe	2	
16	A30A5-10001	垫片 Shim	2	
17	A50A5-00002	橡胶垫 Cushion, rubber	2	
18	A30A5-10003	橡胶垫 Cushion, rubber	2	
19	A30A5-10005	垫圈 Washer	2	
20	GB/T889.1-2000	锁紧螺母M10 Nut	2	

传动装置  
Drive unit



## 传动装置

## Drive unit

序号 Item	零件号 Part No	零部件名称 Description	数量 Q'ty	备注 Remark
1	A50A5-00402	垫片 Gasket	1	
2	GB/T93-1987	弹垫8 Washer, lock	9	
3	GB/T5785-2000	螺栓M10×1.25×65 Bolt	1	
4	GB/T5785-2000	螺栓M10×1.25×30 Bolt	11	
5	GB/T93-1987	弹垫10 Washer, lock	12	
6	A50A5-00403	垫 Gasket	1	
7	GB/T119-2000	销 B10×20 Pin	2	
8	GB/T1235-76	O形圈15×2.4 O-ring	1	
9	A50A5-00600	控制阀总成 Control valve ass'y	1	
10	GB/T5782-2000	螺栓M8×55 Bolt	9	