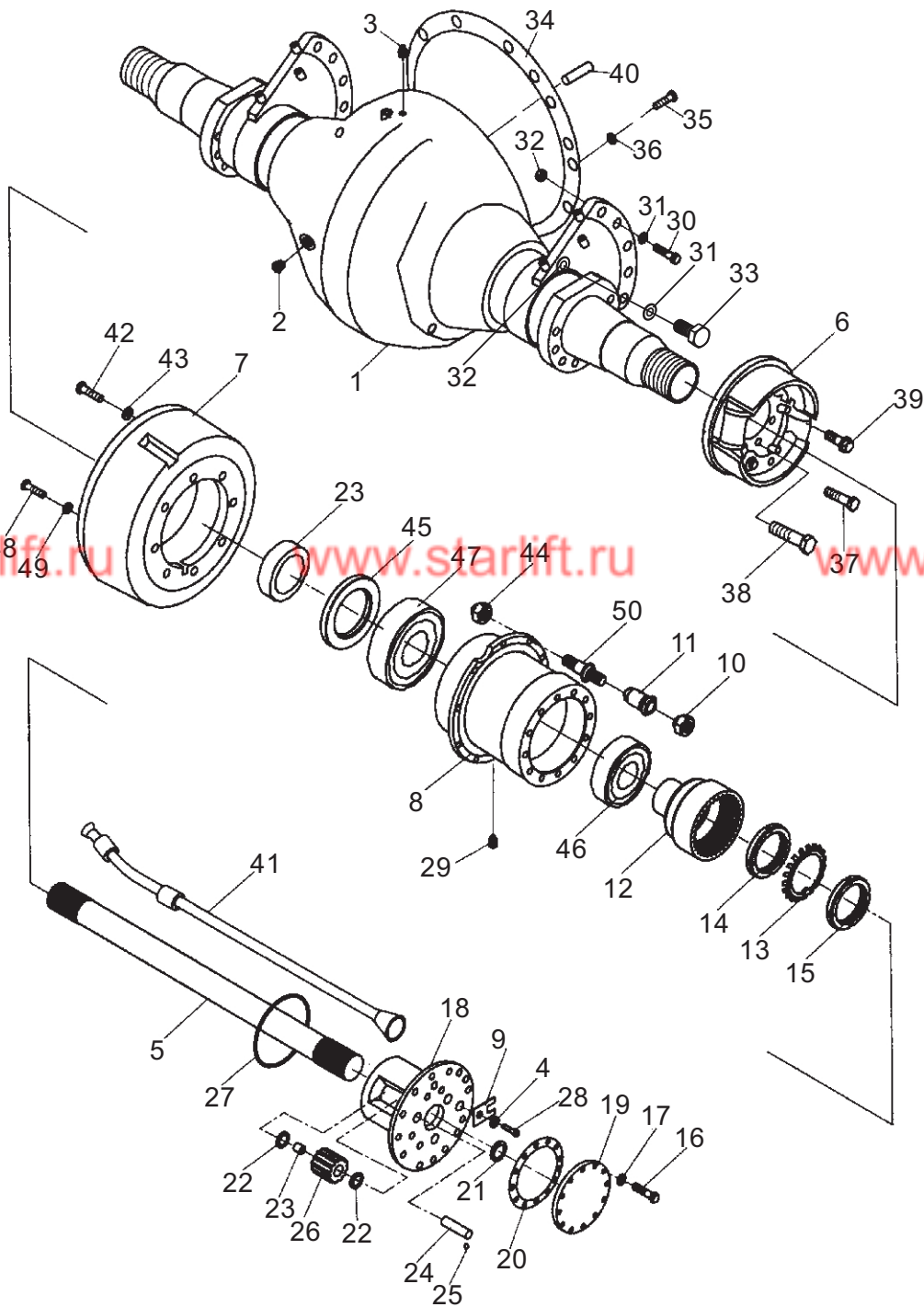


驱动桥
Drive axle

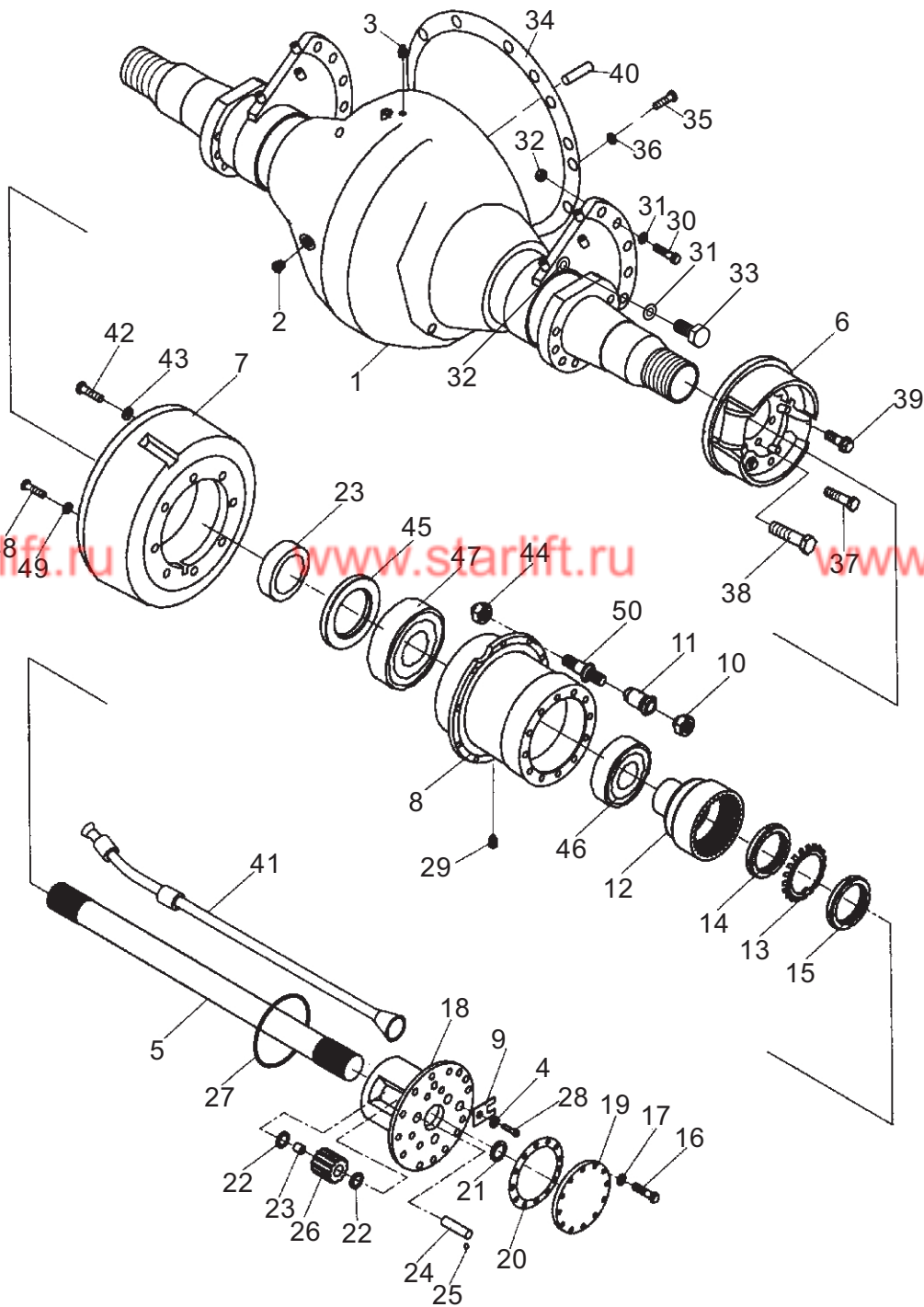


驱动桥

Drive axle

序号 Item	零件号 Part No	零部件名称 Description	数量 Q'ty	备注 Remark
1	A50A5-00200	驱动桥总成 Housing axle	1	FD50,60,70BG-CY1/W3
	A50E5-00200	驱动桥总成 Housing axle	1	FD50,60,70BG-S3
2	A50A5-00201	桥壳螺塞 Plug, drain	2	
3	A50A5-00202	透气塞总成 Breather	1	
4	GB/T97.1-1985	平垫10 Washer	2	
5	A50A5-00203	半轴 Shaft, axle	2	
6	A50A5-04000	制动器总成 Wheel brake ass'y	2	FD50,60,70BG-CY1/W3
	A50E5-00500	制动器总成 Wheel brake ass'y	2	FD50,60,70BG-S3
7	A50A5-00204	制动鼓 Drum	2	
8	A50A5-00205	轮毂 Hub	2	
9	A50A5-00004	固定板 Plate	2	
10	A50A5-00207	外螺母 Nut, hub outer	20	
11	A50A5-00208	内螺母 Nut, hub inner	20	
12	A50A5-00209	内齿圈 Gear, internal	2	
13	A50A5-00210	防松垫圈 Washer, lock	2	
14	A50A5-00211	锁紧螺母(内)M75×2 Nut spindle inner	2	
15	A50A5-00212	锁紧螺母(外)M75×2 Nut spindle inner	2	
16	GB/T5786-2000	螺栓M12×1.25×25 Bolt	12	
17	GB/T93-1987	弹垫12 Washer	12	
18	A50A5-00213	行星齿轮支架 Carrier, planet	2	
19	A50A5-00214	半轴端盖 Cap, axle shaft	2	
20	A50A5-00215	端盖纸垫 Washer	2	
21	A50A5-00216	止推垫块 Washer, thrust	2	
22	A50A5-00217	止推垫片 Washer, thrust	12	
23	A50A5-00218	轴套 Bushing	6	
24	A50A5-00219	行星齿轮轴 Shaft, planet gear	6	

驱动桥
Drive axle

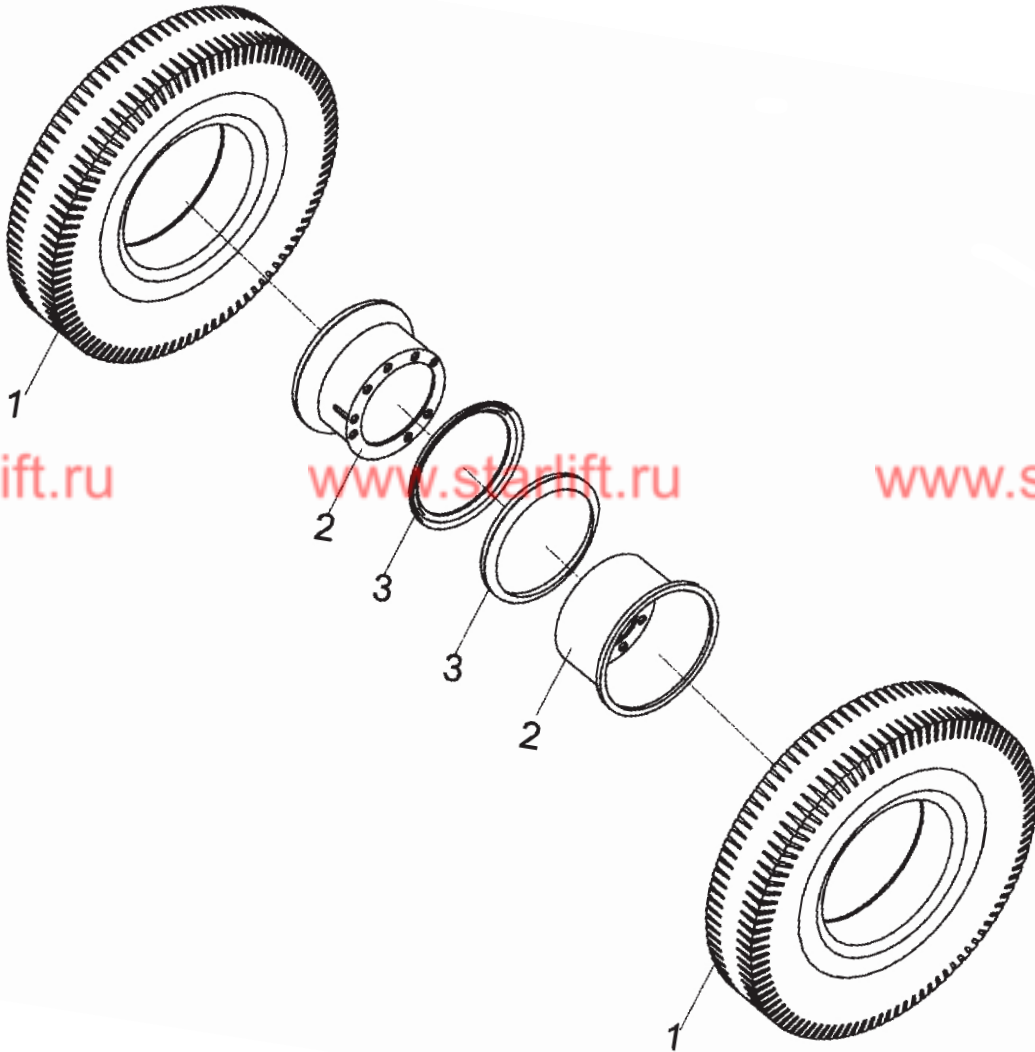


驱动桥

Drive axle

序号 Item	零件号 Part No	零部件名称 Description	数量 Q'ty	备注 Remark
25	GB308-77	钢球 $\phi 6$ Ball	6	
26	A50A5-00220	行星齿轮 Gear, planet	6	
27	A50A5-00221	O形密封圈 O-ring	2	
28	A50A5-00222	螺栓 Bolt	32	
29	A50A5-00223	堵塞 Plug	2	
30	A50A5-00005	螺栓 Bolt	6	
31	GB/T93-1987	弹垫 Washer	10	
32	GB/T6171-2000	螺母M24 \times 2 Nut	10	
33	A50A5-00003	铰制螺栓 Bolt, reamer	4	
34	A50A5-00225	纸垫 Packing	1	
35	GB/T5786-2000	螺栓M14 \times 1.5 \times 40 Bolt	14	
36	GB/T93-1987	弹垫14 Washer, lock	14	
37	A50A5-00226	螺栓 Bolt	12	
38	A50A5-00227	螺栓 Bolt	4	
39	A50A5-00228	螺栓 Bolt	4	
40	GB/T119-2000	销B12 \times 26 Pin	2	
41	A50A5-00700	充气接管 Pipe	2	
42	A50A5-00230	铰制螺栓 Bolt, reamer	4	
43	A50A5-00231	平垫圈 Washer	4	
44	GB/T6171-2000	螺母M20 \times 1.5 Nut	20	
45	A50A5-00232	油封AD4399A0 Seal, oil	4	
46	GB/T297-94	轴承33020 Bearing, taper roller	2	
47	A50A5-00233	大轴承 Bearing, taper roller	2	
48	A50A5-00234	螺栓 Bolt	12	
49	A50A5-00235	锥形垫圈 Washer, conical spring	12	
50	A50A5-00236	螺栓柱 Bolt, hub	20	

驱动轮总成
Driving wheel assembly



驱动轮总成

Driving wheel assembly

序号 Item	零件号 Part No	零部件名称 Description	数量 Q'ty	备注 Remark
A	A50A5-00100	轮辋总成(包含2,3) Rim ass'y(Inc.2,3)	4	
1	GB2982-2001	轮胎8.25-15-14PR Tyre	4	
2	A50A5-00101	轮辋 Rim	4	
3	A50A5-00102	挡圈 Snap,ring	4	