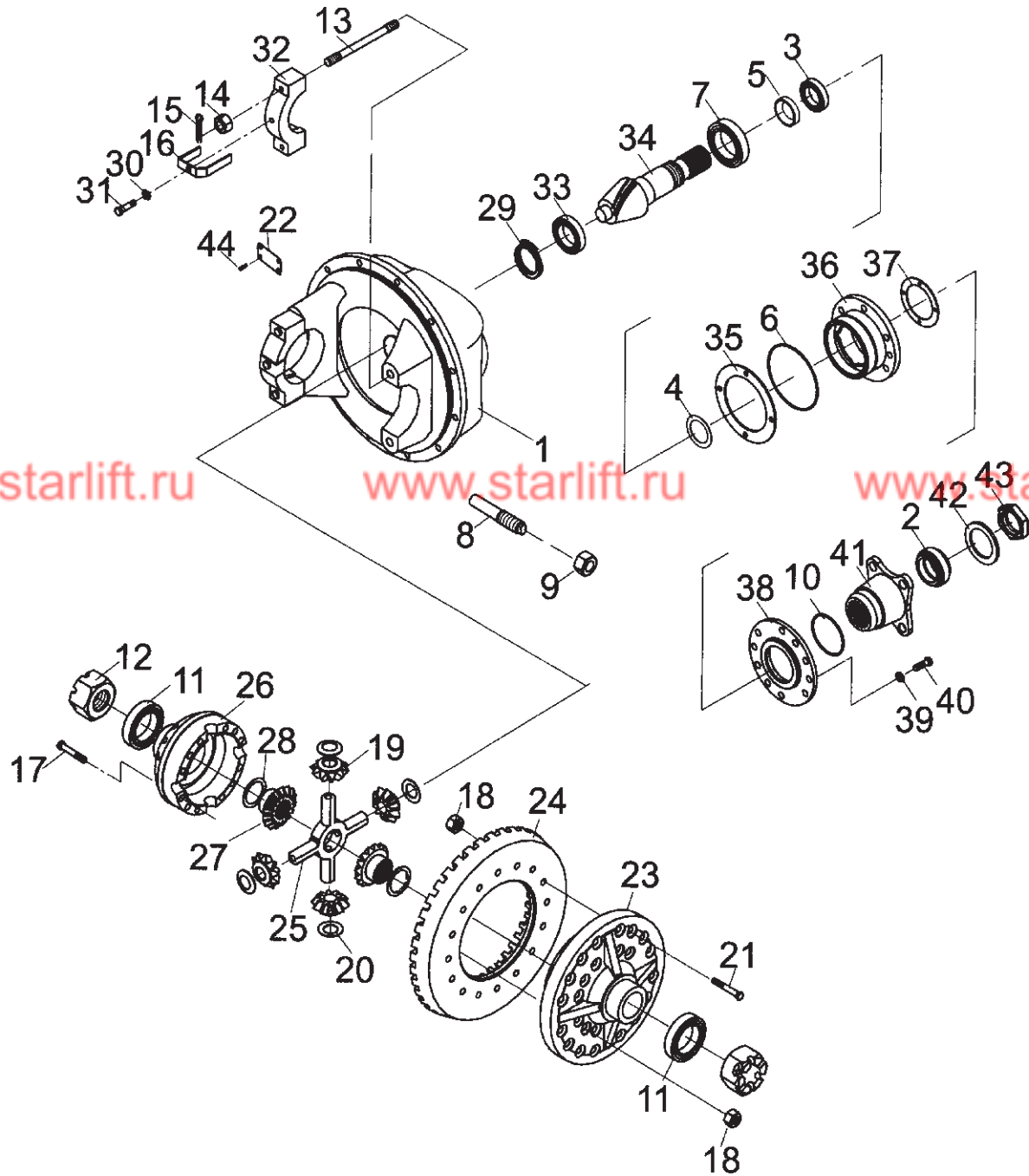


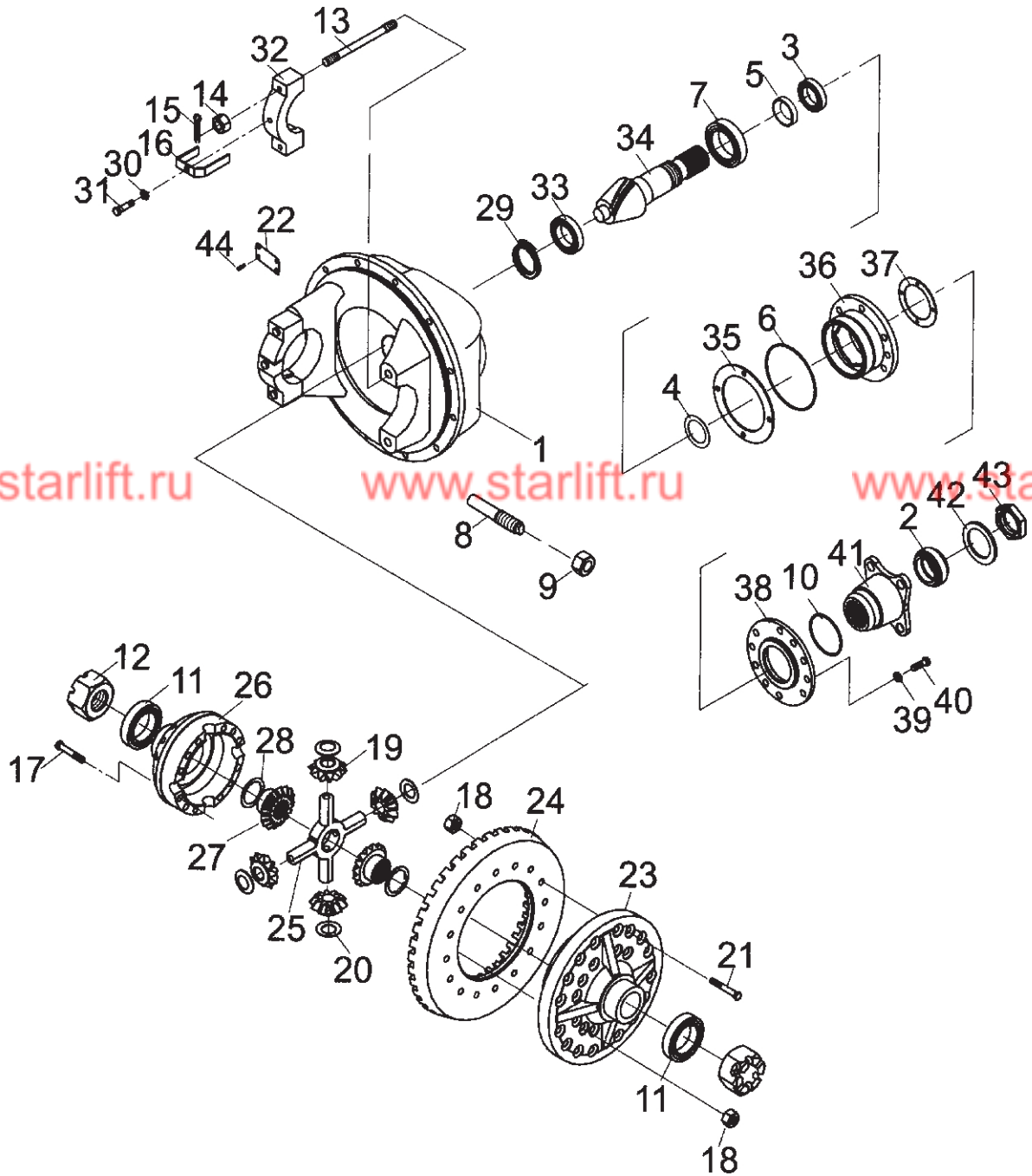
減速器和差速器
Reduction&Differential



减速器和差速器 Reduction&Differential

序号 Item	零件号 Part No	零部件名称 Description	数量 Q'ty	备注 Remark
A	A50A5-00700	差速器总成 Differential unit	1	
01	A50A5-00701	主传动器壳体 Carrier	1	
02	A50A5-00702	油封SG70×95×12 Oil seal	1	
03	GB/T297-84	轴承27310E Bearing	1	
04	A50A5-00703	调整垫片 Washer, thrust	按需 AR	
05	A50A5-00704	隔块 Piece distance	1	
06	GB/T1235-76	O形密封圈140X3.1 O-ring	1	
07	GB/T297-84	轴承2731E Bearing	1	
08	A50A5-00705	调整螺柱总成 Bolt ass'y	1	
09	GB/T6173-2000	螺母M22×1.5 Nut	1	
10	GB/T1235-76	O形圈40.64×5.34 O-ring	1	
11	GB/T297-84	轴承7514E Bearing	2	
12	A50A5-00706	调整螺母 Nut	2	
13	A50A5-00707	盖用双头螺栓 Bolt	4	
14	A50A5-00708	螺母 Nut	4	
15	GB/T91-2000	销4×40 Pin cotter	4	
16	A50A5-00709	锁片 Lock adjuster	2	
17	A50A5-00710	螺栓 Bolt	8	
18	GB/T6176-2000	螺母M14×1.5 Nut	20	
19	A50A5-00711	行星齿轮 Gear, planet	4	
20	A50A5-00712	推力垫片 Washer, thrust	4	
21	A50A5-00713	螺栓 Bolt	12	
22	A50A5-00714	差速器总成标牌 Decal	1	
23	A50A5-00715	差速器左壳体 Case, L. H. cross	1	
24	A50A5-00716	大螺伞齿轮 Gear	1	

減速器和差速器
Reduction&Differential



减速器和差速器 Reduction&Differential

序号 Item	零件号 Part No	零部件名称 Description	数量 Q'ty	备注 Remark
25	A50A5-00718	十字轴 Spider	1	
26	A50A5-00719	差速器右壳体 Case, R. H. cross	1	
27	A50A5-00720	半轴齿轮 Gear side	2	
28	A50A5-00721	调整垫片 Washer, adjuster	按需 AR	
29	GB/T894. 1-2000	轴用弹性挡圈30 Snap ring	1	
30	GB/T93-1987	弹垫10 Washer, lock	2	
31	GB/T5786-2000	螺栓M10×1.25×20 Bolt	2	
32	A50A5-00722	轴承盖 Cap	2	
33	A50A5-00723	滚珠轴承 Bearing taper roller	1	
34	A50A5-00724	主动螺旋伞齿轮 Pinion drive	1	
35	A50A5-00725	调整垫片 Washer, thrust	按需 AR	
36	A50A5-00726	轴承座 Case	1	
37	A50A5-00727	衬垫 Packing	1	
38	A50A5-00728	油封座 Retainer oil seal	1	
39	GB/T93-1987	弹垫14 Washer, lock	6	
40	GB/T5785-2000	螺栓M14×1.5×50 Bolt	6	
41	A50A5-00730	凸缘 Flang, companion	1	
42	A50A5-00731	垫圈 Washer	1	
43	A50A5-00732	锁紧螺母 Lock nut	1	
44	GB/T827-2000	铆钉3×4 Rivet	4	