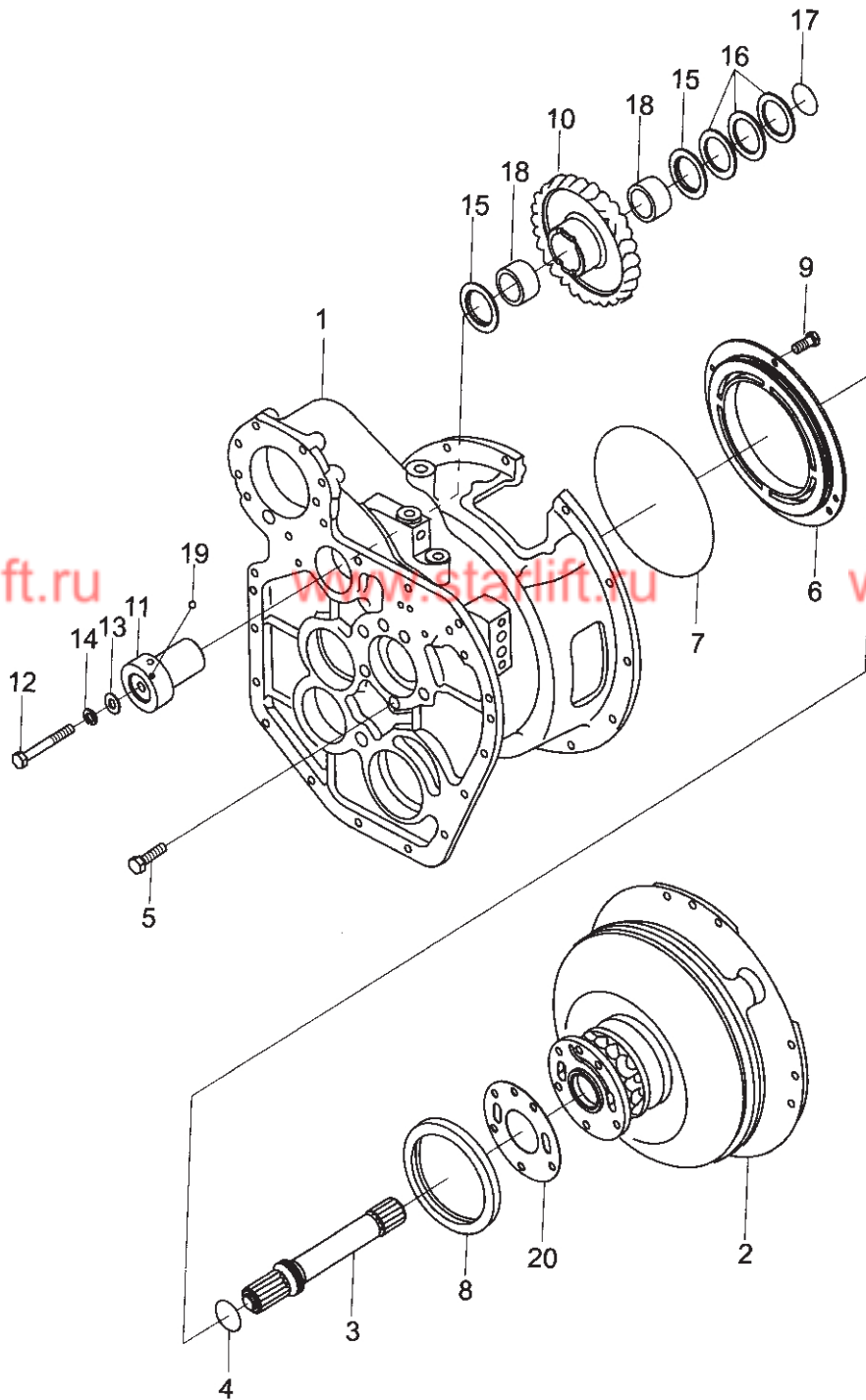


变矩器 (1/2)
Torque-converter (1/2)

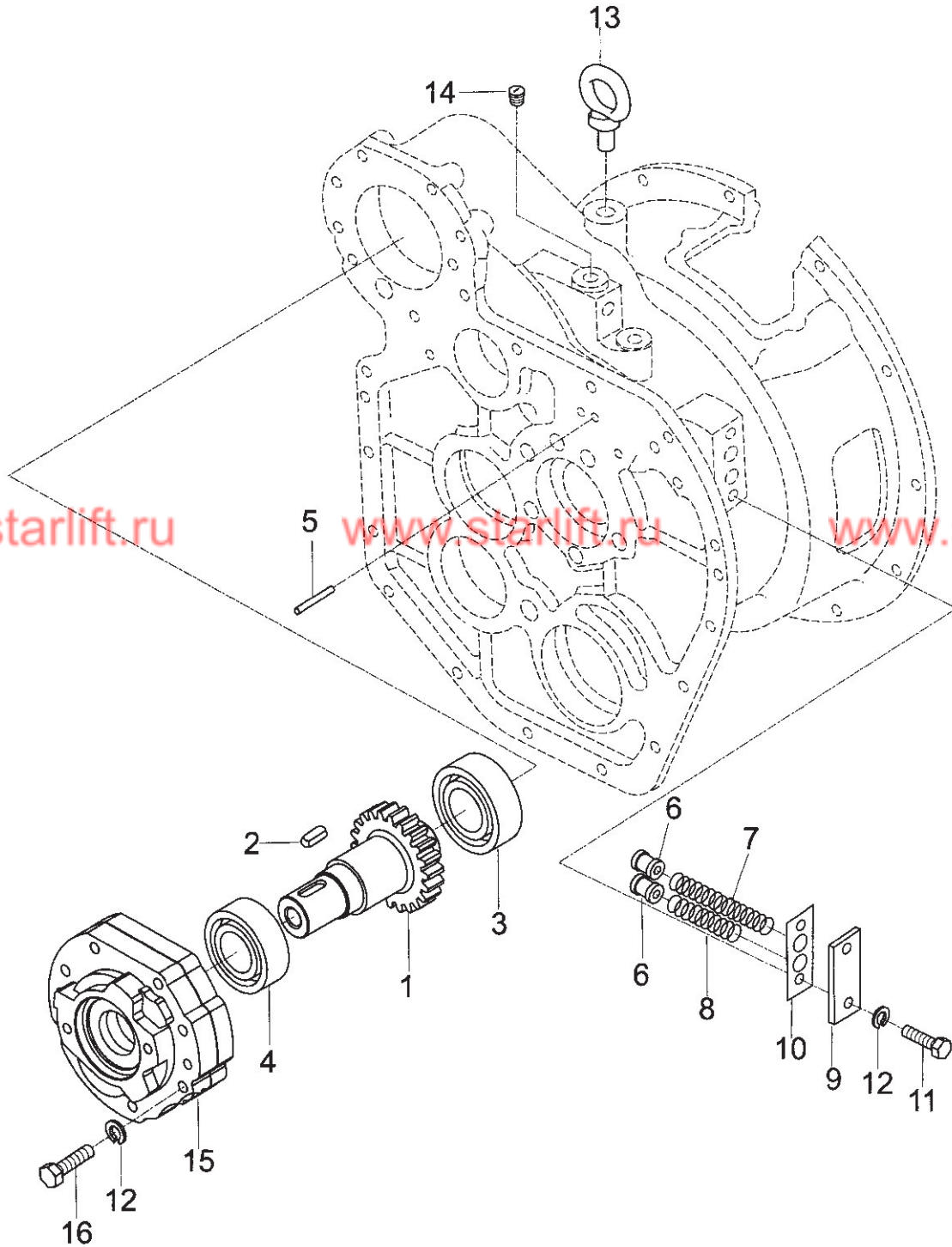


变矩器 (1/2)

Torque-converter (1/2)

序号 Item	零件号 Part No	零部件名称 Description	数量 Q'ty	备注 Remark
1	A50A5-03001	变矩器壳 Case, tor-con	1	FD50,60,70BG-CY1
	A50B5-03001	变矩器壳 Case, tor-con	1	FD50,60,70BG-W3
	A50E5-00401	变矩器壳 Case, tor-con	1	FD50,60,70BG-S3
2	A50A5-03000	变矩器总成 Tor-con ass't	1	FD50,60,70BG-CY1
	A50B5-03000	变矩器总成 Tor-con ass't	1	FD50,60,70BG-W3
	A50E5-00400	变矩器总成 Tor-con ass't	1	FD50,60,70BG-S3
3	A50A5-03002	涡轮轴 Shaft, turbin	1	
4	A50A5-03003	密封环 Ring, sed	1	
5	GB/T70-1985	螺钉M10×50 Screw	6	
6	A50A5-03004	后盖 Back cover	1	
7	GB/T1235-2000	O形圈220×5.7 O-ring	1	
8	A50A5-03005	油封SG130×60×15 Oil seal	1	
9	GB/T5785-2000	螺栓M8×1×15 Bolt	3	
10	A50A5-03006	惰轮Gear	1	
11	A50A5-03007	惰轮支承 Supper	1	
12	A50A5-03008	螺栓 Bolt	1	
13	GB/T97.1-1985	平垫10 Washer	1	
14	GB/T93-1987	弹垫10 Washer, lock	1	
15	A50A5-03009	推力滚针轴承 Bearing	2	
16	A50A5-03010	止推垫圈 Washer	3	
17	A50A5-03011	调整垫片 Shim	2	
18	A50A5-03012	滚针轴承 Bearing	2	
19	GB308-77	钢球1/4" Ball, steel	1	
20	A50A5-03013	变矩器垫 Gasket	1	

变矩器 (2/2)
Torque-converter (2/2)

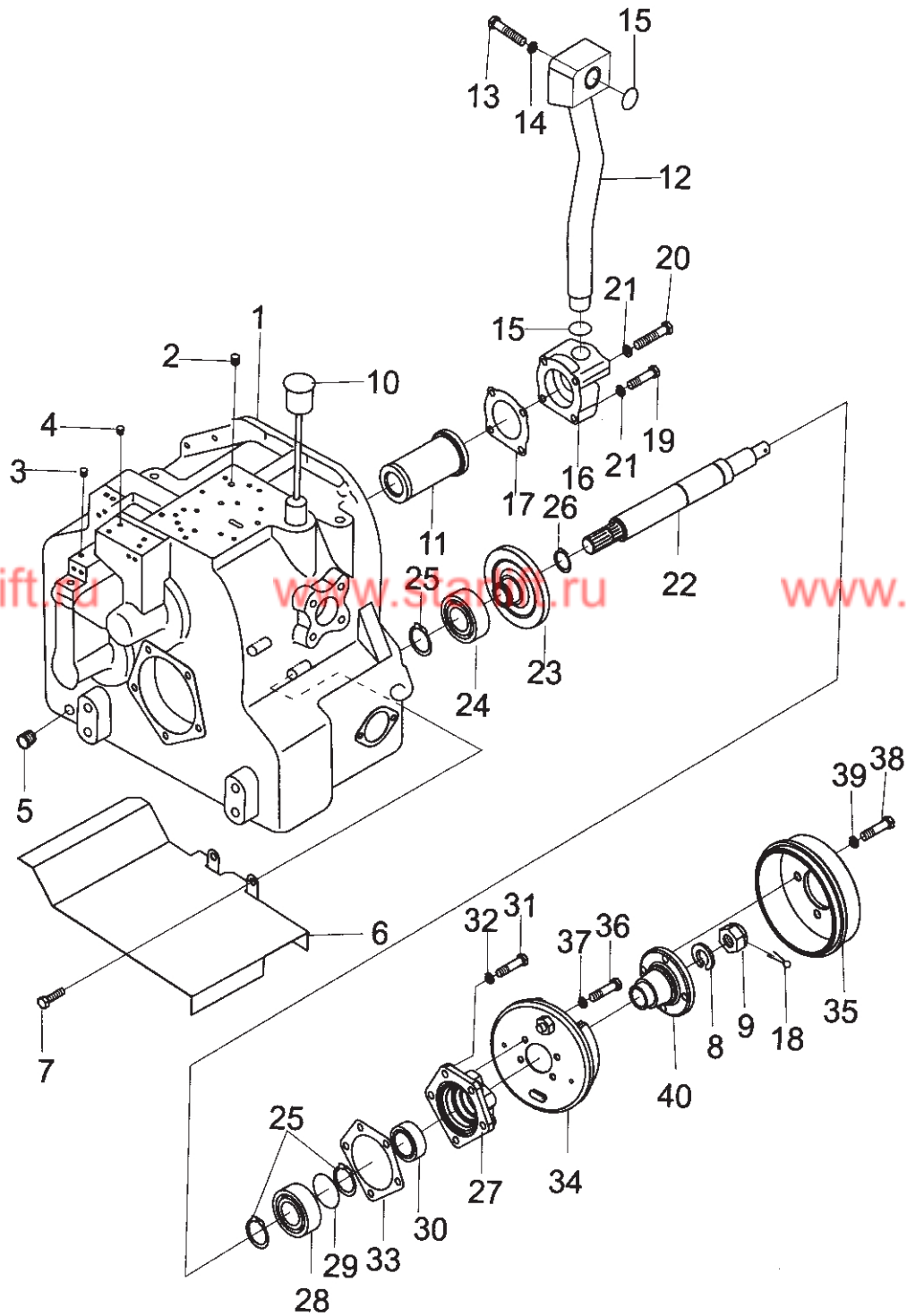


变矩器 (2/2)

Torque-converter (2/2)

序号 Item	零件号 Part No	零部件名称 Description	数量 Q'ty	备注 Remark
1	A50A5-03014	泵传动齿轮 Gear, drive	1	
2	A50A5-03015	键 Key	1	
3	A50A5-03016	轴承 Bearing	1	
4	GB276-82	轴承209 Bearing	1	
5	A50A5-03017	圆柱销 Pin, paraller	2	
6	A50A5-03018	活塞 Piston	2	
7	A50A5-03019	弹簧 Spring	1	
8	A50A5-03020	弹簧 Sping	1	
9	A50A5-03021	盖板 Cover	1	
10	A50A5-03022	垫片 Gasket	1	
11	GB/T5785-2000	螺栓M10×1.25×35 Bolt	2	
12	GB/T93-1987	弹垫10 Washer, lock	9	
13	GB/T825-88	吊环螺钉M16 Eye screw	3	
14	A50A5-03023	螺塞(3/8") Plug	2	
15	A50A5-03100	供油泵 Charging pump	1	
16	GB/T5785-2000	螺栓M10×1.25×60 Bolt	7	

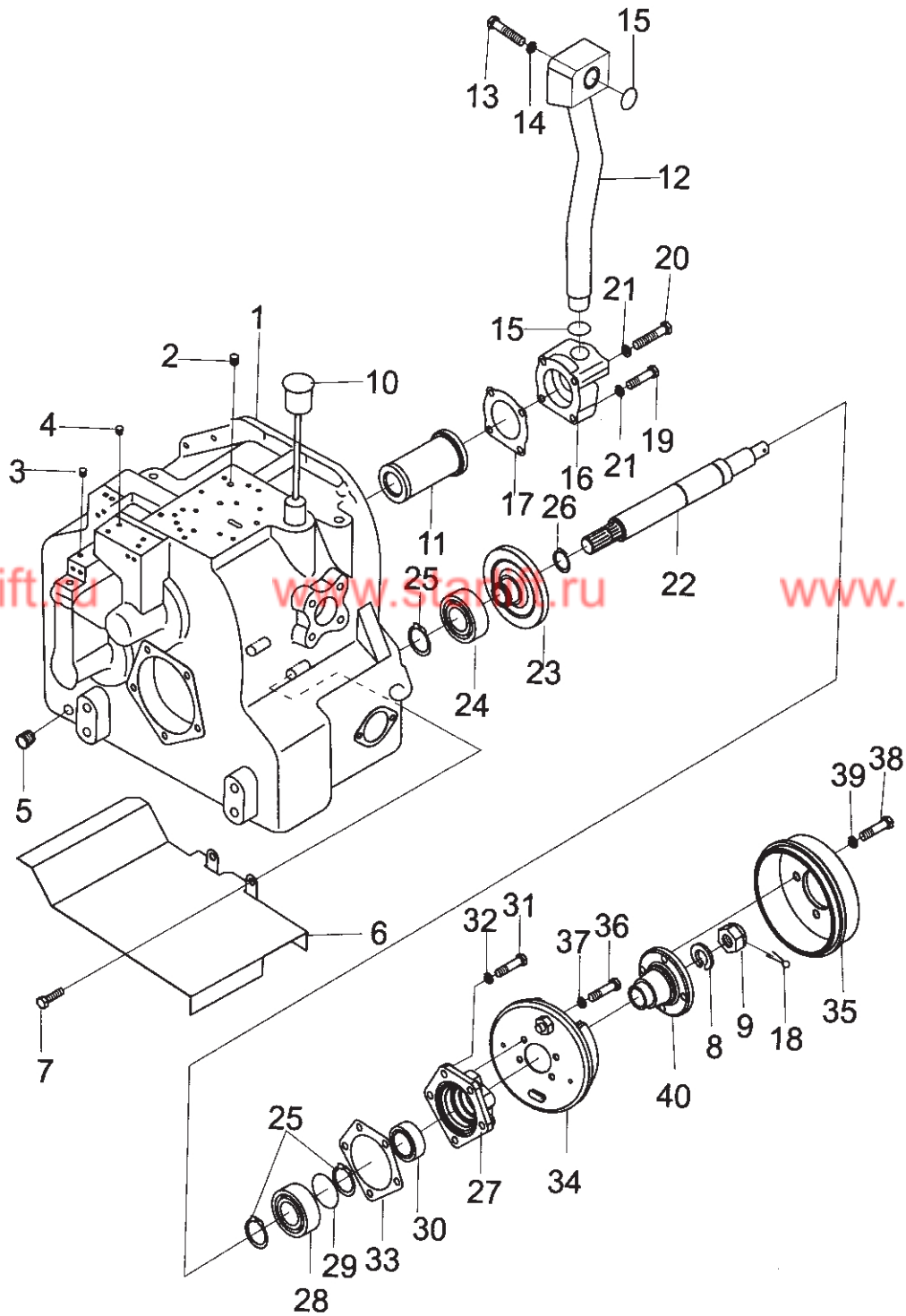
变速箱 (1/2)
Transmission (1/2)



变速箱 (1/2)
Transmission (1/2)

序号 Item	零件号 Part No	零部件名称 Description	数量 Q'ty	备注 Remark
1	A50A5-00404	变速箱箱体 Case, transmission	1	
2	A50A5-00405	阻尼螺塞 Plug	1	
3	A50A5-00406	螺塞(1/8") Plug	14	
4	A50A5-00407	螺塞(3/8") Plug	2	
5	A50A5-00408	螺塞(3/4") Plug	2	
6	A50A5-00409	挡板 Plate, baffle	1	
7	GB/T5782-2000	螺栓 M8×20 Bolt	2	
8	GB/T93-1987	弹垫 Washer, lock	1	
9	GB9457-88	螺母 M20×1.5 Nut	1	
10	A50A5-00410	油标 Rod, lever	1	
11	A50A5-00411	滤油器 Strainer	1	
12	A50A5-00412	吸油管总成 Pipe oil fill	1	
13	GB/T5785-2000	螺栓 M10×12.5×70 Bolt	2	
14	GB/T93-1987	弹垫10 Washer, lock	2	
15	GB1235-76	O形圈 35×3.1 O-ring	2	
16	A50A5-00413	滤油器盖 Cover, filter	1	
17	A50A5-00414	垫 Gasket	1	
18	GB/T91-2000	销4×36 Pin	1	
19	GB/T5785-2000	螺栓 M10×12.5×50 Bolt	2	
20	GB/T5785-2000	螺栓 M10×12.5×80 Bolt	2	
21	GB/T93-1987	弹垫10 Washer, lock	4	
22	A50A5-00415	停车制动轴 Shaft, Parking	1	
23	A50A5-00416	停车制动齿轮 Gear	1	

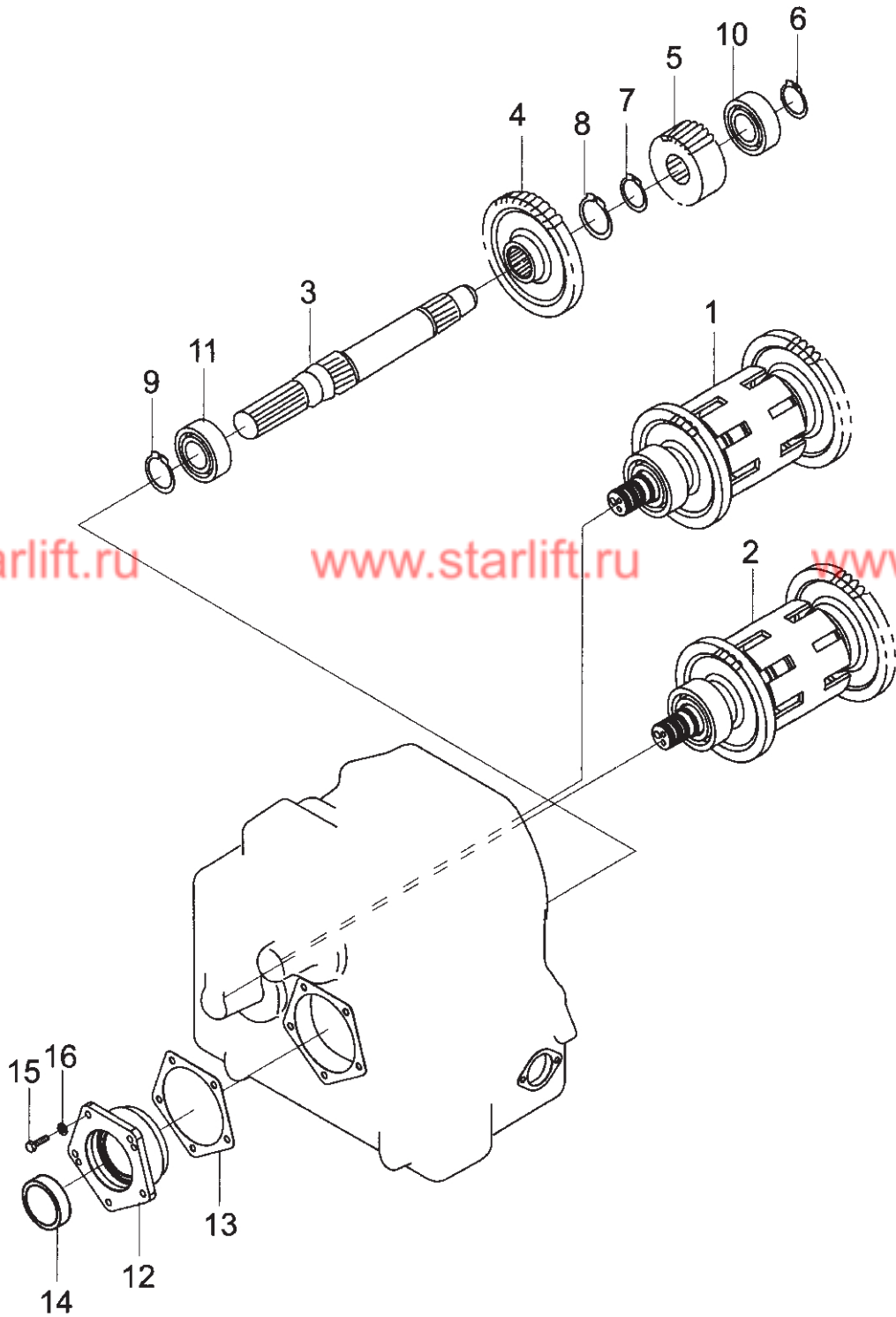
变速箱 (1/2)
Transmission (1/2)



变速箱 (1/2)
Transmission (1/2)

序号 Item	零件号 Part No	零部件名称 Description	数量 Q'ty	备注 Remark
24	GB276-82	轴承208 Bearing	1	
25	GB/T894.1-2000	挡圈40 Snap ring	3	
26	GB/T894.1-2000	挡圈30 Snap ring	1	
27	A50A5-00417	端盖 Cap	1	
28	GB277-82	轴承50208 Bearing	1	
29	GB305-82	止动环80/86.6 Ring, thrust	1	
30	A50A5-00418	油封SG40×62×12 Oil seal	1	
31	GB5785-86	螺栓M10×1.25×30 Bolt	5	
32	GB/T93-1987	弹垫10 Washer, lock	5	
33	A50A5-00419	垫 Gasket	1	
34	A50A5-00900	停车制动器总成 Brake ass'y	1	
35	A50A5-00420	制动鼓 Drum	1	
36	GB/T5785-2000	螺栓M10×1.25×20 Bolt	4	
37	GB/T93-1987	弹垫10 Washer, lock	4	
38	GB/T5785-2000	螺栓M12×1.25×25 Bolt	4	
39	GB/T93-1987	弹垫12 Washer, lock	4	
40	A50A5-00421	配合法兰 Flange	1	

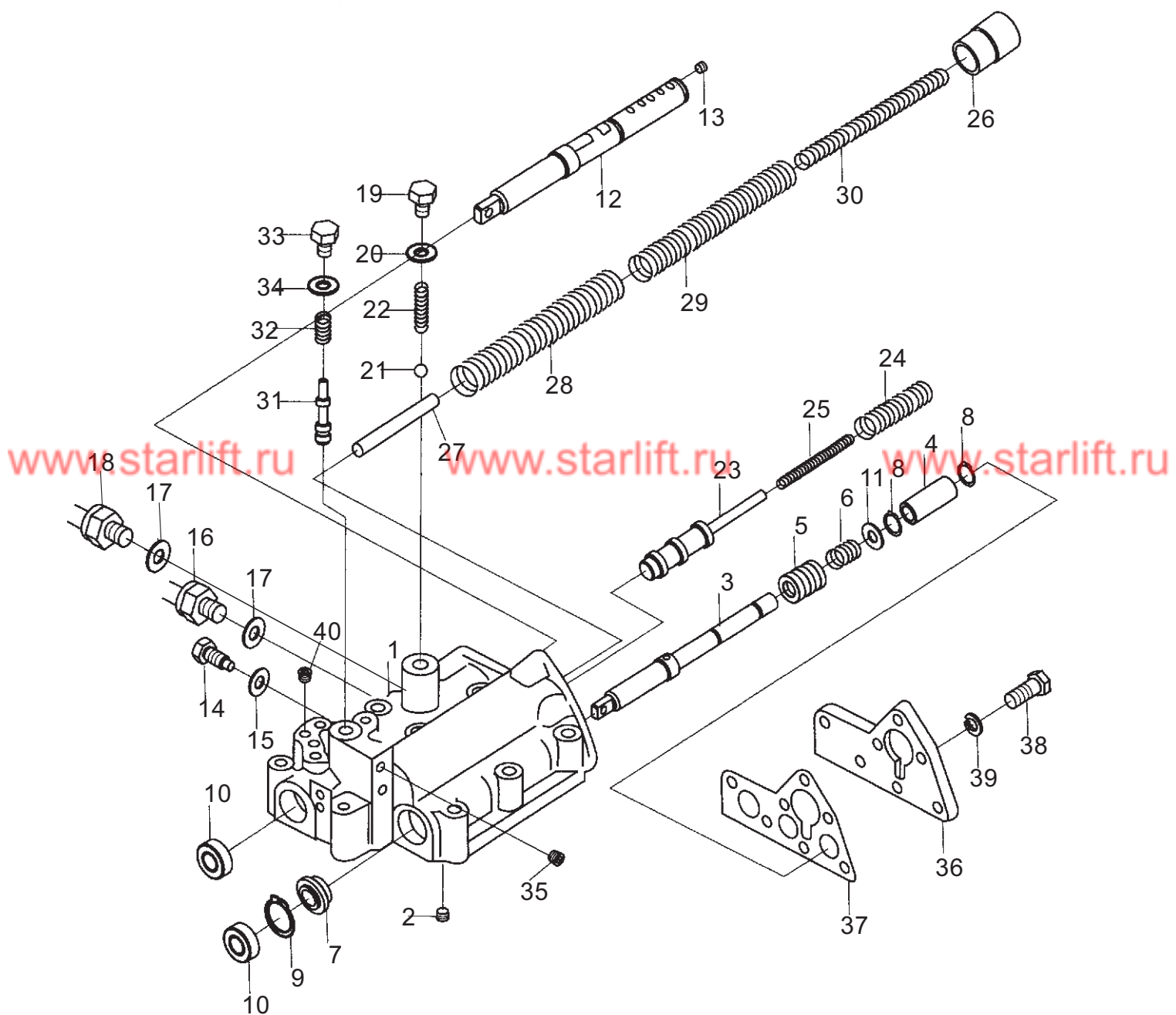
变速箱 (2/2)
Transmission (2/2)



变速箱 (2/2)
Transmission (2/2)

序号 Item	零件号 Part No	零部件名称 Description	数量 Q'ty	备注 Remark
1	A50A5-01000	离合器 I Clutch	1	
2	A50A5-02000	离合器 II Clutch	1	
3	A50A5-00422	输出轴 Shaft, output	1	
4	A50A5-00423	齿轮 Gear	1	
5	A50A5-00424	齿轮 Gear	1	
6	GB894. 1-86	挡圈45 Snap ring	1	
7	GB894. 1-86	挡圈50 Snap ring	1	
8	GB894. 1-86	挡圈60 Snap ring	1	
9	GB894. 1-86	挡圈55 Snap ring	1	
10	GB276-82	轴承309 Bearing	1	
11	A50A5-00425	轴承 Bearing	1	
12	A50A5-00426	端盖 Cap	1	
13	A50A5-00427	垫片 Gasket	1	
14	A50A5-00428	油封52×72×12 Oil seal	5	
15	GB/T5785-2000	螺栓M10×1.25×30 Bolt	5	
16	GB/T93-1987	弹垫10 Washer, lock	1	

控制阀总成
Control valve ass'y

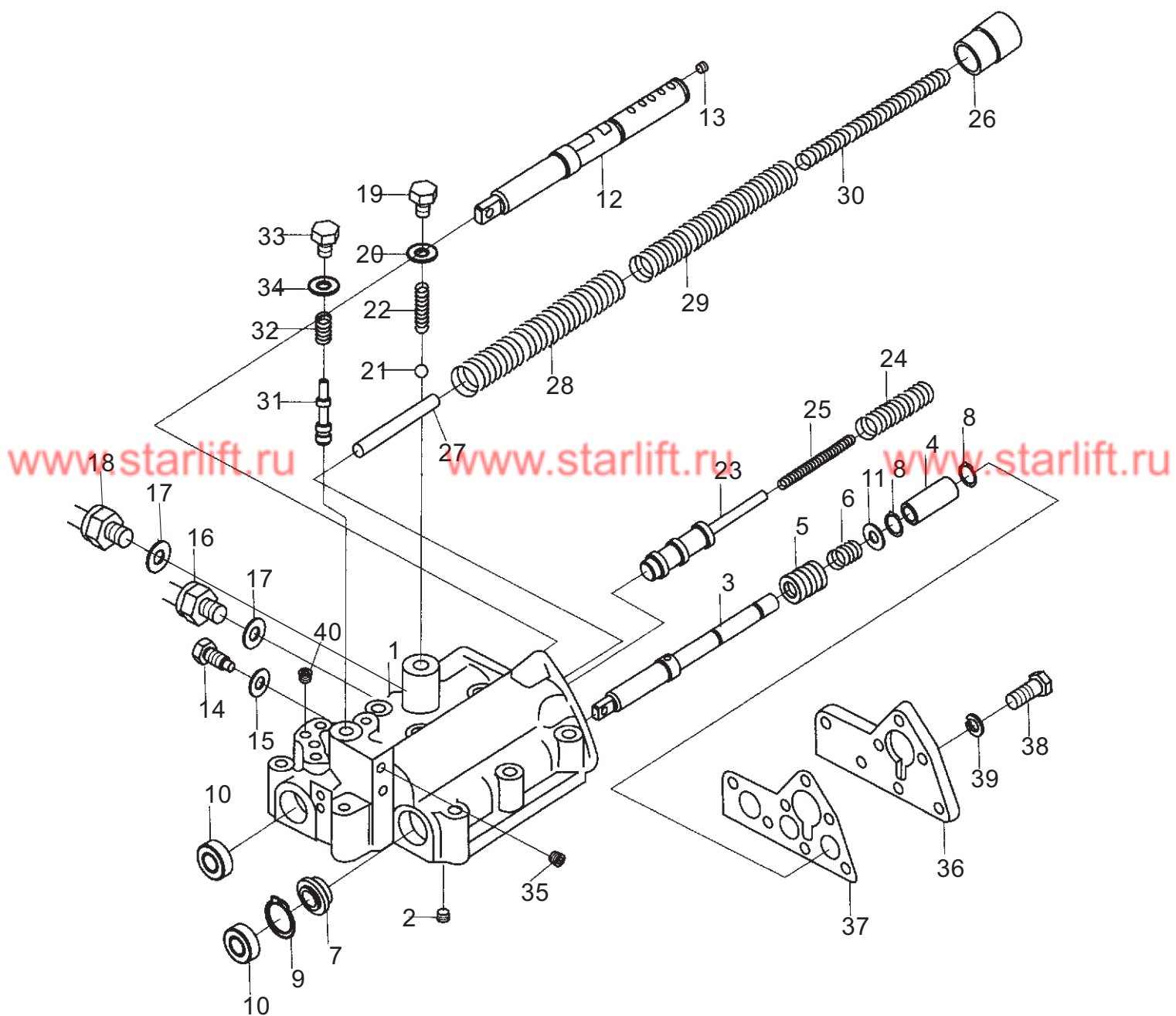


控制阀总成

Control valve ass'y

序号 Item	零件号 Part No	零部件名称 Description	数量 Q'ty	备注 Remark
	A50A5-00600	控制阀总成 Control valve ass'y	1	
1	A50A5-00601	阀体 Body, valve	1	
2	A50A5-00602	阻尼螺塞 Plug	1	
3	A50A5-00603	微动阀杆 Valve, inching	1	
4	A50A5-00604	柱塞 Plunger	1	
5	A50A5-00605	活塞 Piston	1	
6	A50A5-00606	弹簧 Spring	1	
7	A50A5-00607	轴环 Collar	1	
8	GB/T894.1-2000	挡圈12 Snap ring	2	
9	GB/T893.1-2000	挡圈30 Snap ring	1	
10	A50A5-00608	油封 Oil seal	2	FD50,60,70BG-W3/S3
	A50A5-00614	油封14×30×10 Oil seal	2	FD50,60,70BG-CY1
11	A50A5-00609	挡环 Spacer	1	
12	A50A5-00610	操纵阀杆 Valve lever	1	
13	A50A5-00611	闷塞 Plug	1	
14	A50A5-00612	固定螺栓 Bolt	1	
15	A50A5-00613	垫圈 Washer	1	
16	DZ05G-J208	倒车灯开关 Switch	1	
17	DZ05G-J209	空档开关 Switch	1	
18	A50A5-00615	衬垫 Packing	2	
19	A50A5-00616	油塞 Plug	1	
20	A50A5-00617	垫圈 Washer	1	
21	GB308-89	钢球Φ10 Ball	1	
22	A50A5-00618	弹簧 Spring	1	

控制阀总成
Control valve ass'y

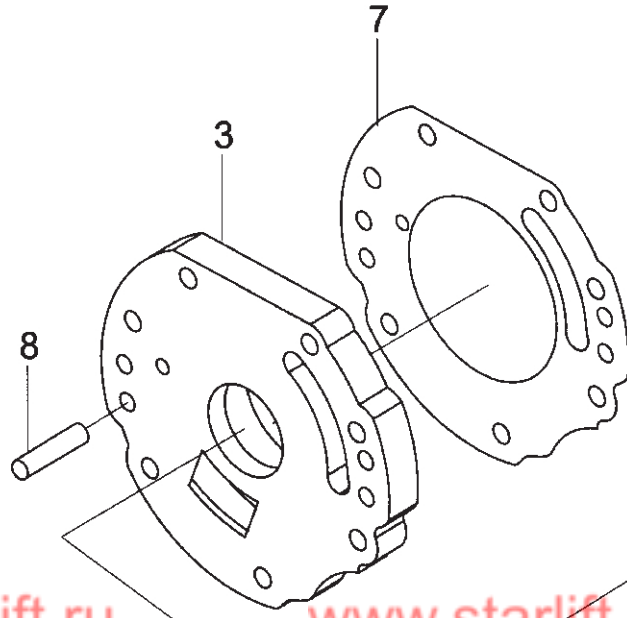


控制阀总成

Control valve ass'y

序号 Item	零件号 Part No	零部件名称 Description	数量 Q'ty	备注 Remark
23	A50A5-00619	调节阀杆 Valve lever, modulate	1	
24	A50A5-00620	弹簧 Spring	1	
25	A50A5-00621	弹簧 Spring	1	
26	A50A5-00622	活塞 Piston	1	
27	A50A5-00623	止动杆 Stopper	1	
28	A50A5-00624	弹簧 Spring	1	
29	A50A5-00625	弹簧 Spring	1	
30	A50A5-00626	弹簧 Spring	1	
31	A50A5-00627	测压阀杆 Valve lever	1	
32	A50A5-00628	弹簧 Spring	1	
33	A50A5-00629	油塞 Plug	1	
34	A50A5-00630	垫圈 Washer	1	
35	A50A5-00631	螺塞 Plug	4	
36	A50A5-00632	阀端盖 Cover	1	
37	A50A5-00633	端盖垫片 Gasket	1	
38	GB/T5783-2000	螺栓M8×25 Bolt	7	
39	GB/T93-1987	弹垫8 Washer, lock	7	
40	A50A5-00634	螺塞 Plug	5	

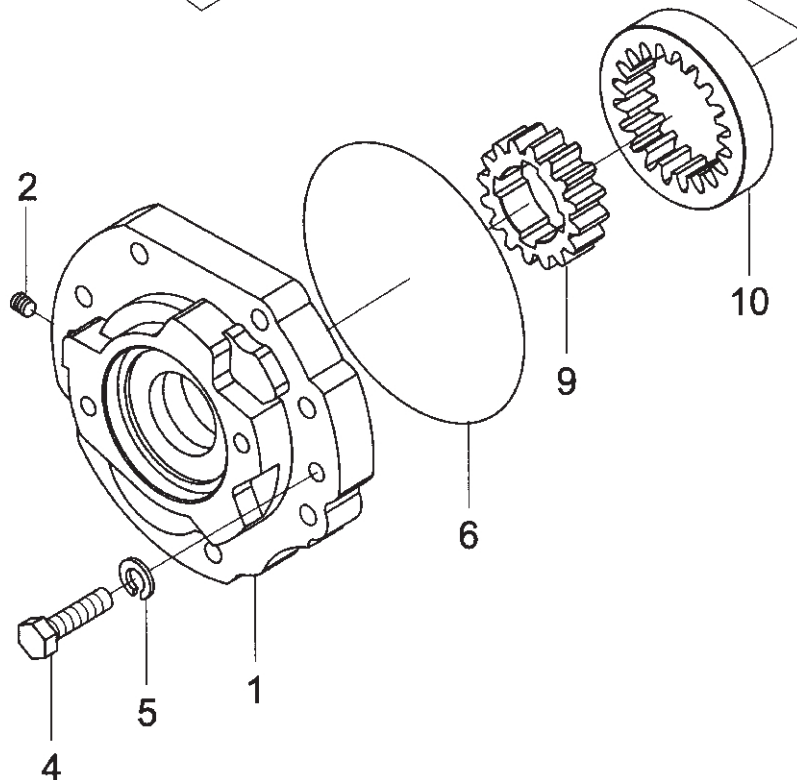
供油泵
Charging pump



www.starlift.ru

www.starlift.ru

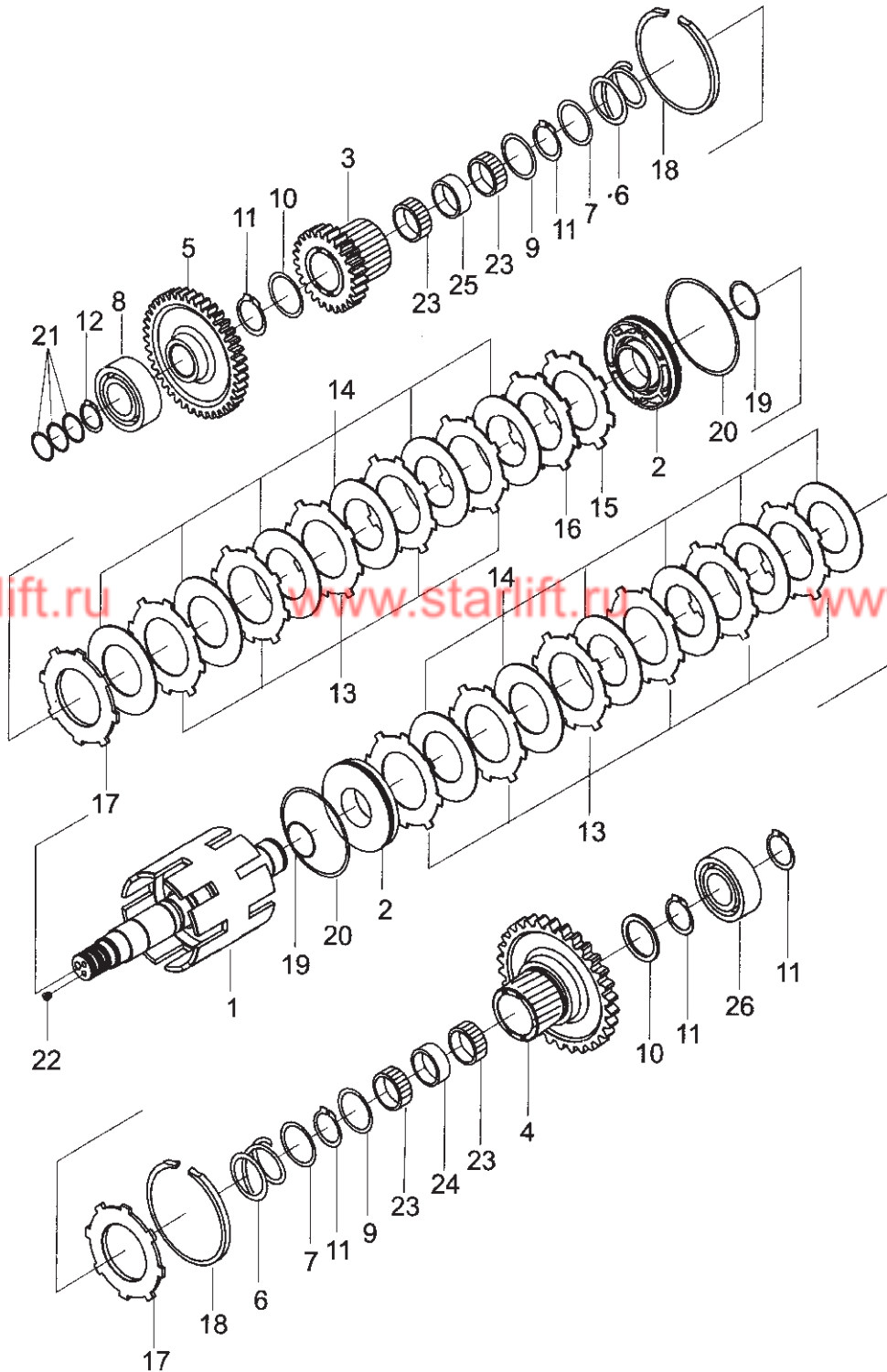
www.starlift.ru



供油泵
Charging pump

序号 Item	零件号 Part No	零部件名称 Description	数量 Q'ty	备注 Remark
	A50A5-03100	供油泵总成 Charging Pump ass'y	1	
1	A50A5-03101	泵体 Case, Pump	1	
2	A50A5-03102	螺塞 ZG1/8 " Plug	1	
3	A50A5-03103	泵盖 Cover	1	
4	GB/T5785-2000	螺栓M10×1.25×40 Bolt	2	
5	GB/T93-1987	弹垫10 Washer, lock	2	
6	GB/T1235-76	O形圈 145×3.1 O-ring	1	
7	A50A5-03104	垫片 Shim	1	
8	GB119-86	销 B10×26 Pin	2	
9	A50A5-03105	泵齿轮 Gear	1	
10	A50A5-03106	供油泵齿圈 Gear, ring	1	

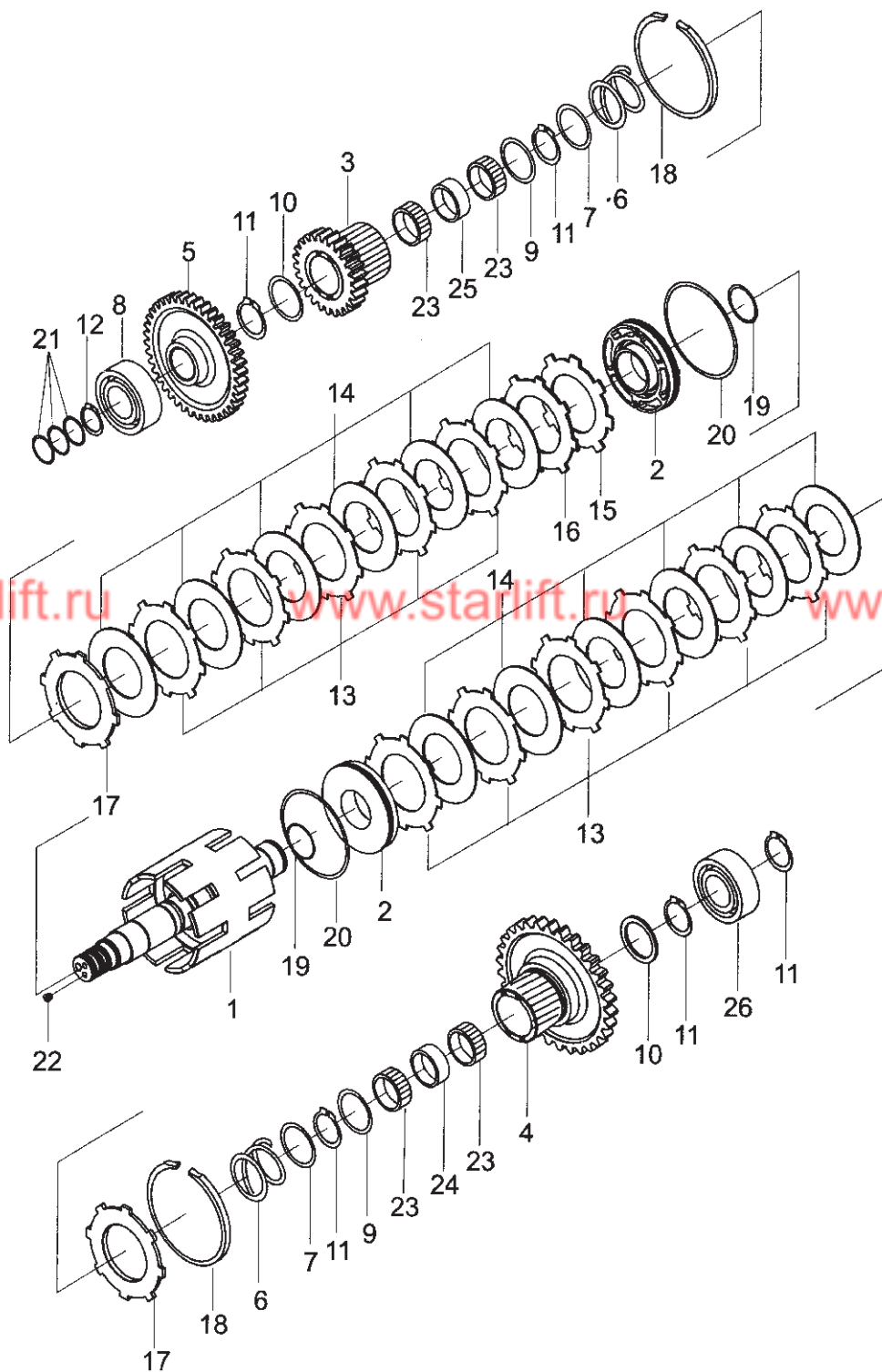
离合器 I
Hydraulic clutch I



离合器 I Hydraulic clutch I

序号 Item	零件号 Part No	零部件名称 Description	数量 Q'ty	备注 Remark
A	A50A5-01000	离合器 I Clutch	1	
1	A50A5-01100	轴总成 Shaft ass'y	1	
2	A50A5-01200	活塞总成 Piston ass'y	2	
3	A50A5-01001	齿轮 II Gear	1	
4	A50A5-01002	齿轮 I Gear	1	
5	A50A5-01003	齿轮 III Gear	1	
6	A50A5-01004	弹簧 Spring	2	
7	A50A5-01005	弹簧座 Seat, spring	2	
8	GB/T276-94	轴承6309 Bearing	1	
9	A50A5-01006	止推环 Ring, thrust	2	
10	A50A5-01007	止推环 Ring, thrust	2	
11	GB/T894. 1-2000	挡圈50 Snap ring	5	
12	GB/T894. 1-2000	挡圈45 Snap ring	1	
13	A50A5-01008	隔片 Plate, separator	13	
14	A50A5-01300	磨擦片总成 Plate, friction ass'y	14	
15	A50A5-01009	碟形板 Plate	1	
16	A50A5-01010	压板 Plate	1	
17	A50A5-01011	端板 Plate, end	2	
18	A50A5-01012	卡环 Snap ring	2	
19	A50A5-01013	密封环 Ring	2	
20	A50A5-01014	密封环 Ring	2	
21	A50A5-01015	密封环 Ring	3	
22	A50A5-01016	螺塞 Plug	2	
23	A50A5-01017	滚针轴承 Bearing	4	
24	A50A5-01018	隔圈 Spacer	1	
25	A50A5-01019	隔圈 Spacer	1	
26	GB/T276-94	轴承6210 Bearing	1	

离合器 II
Hydraulic clutch II



离合器 II

Hydraulic clutch II

序号 Item	零件号 Part No	零部件名称 Description	数量 Q'ty	备注 Remark
A	A50A5-02000	离合器 II Clutch	1	
1	A50A5-01100	轴总成 Shaft ass'y	1	
2	A50A5-01200	活塞总成 Piston ass'y	2	
3	A50A5-01001	齿轮 II Gear	1	
4	A50A5-02001	齿轮IV Gear	1	
5	A50A5-01003	齿轮III Gear	1	
6	A50A5-01004	弹簧 Spring	2	
7	A50A5-01005	弹簧座 Seat, spring	2	
8	GB/T276-94	轴承6309 Bearing	1	
9	A50A5-01006	止推环 Ring, thrust	2	
10	A50A5-01007	止推环 Ring, thrust	2	
11	GB894. 1-86	挡圈50 Snap ring	5	
12	GB894. 1-86	挡圈45 Snap ring	1	
13	A50A5-01008	隔片 Plate, separator	13	
14	A50A5-01300	磨擦片总成 Plate, friction ass'y	14	
15	A50A5-01009	碟形板 Plate	1	
16	A50A5-01010	压板 Plate	1	
17	A50A5-01011	端板 Plate, end	2	
18	A50A5-01012	卡环 Snap ring	2	
19	A50A5-01013	密封环 Ring	2	
20	A50A5-01014	密封环 Ring	2	
21	A50A5-01015	密封环 Ring	2	
22	A50A5-01016	螺塞 Plug	2	
23	A50A5-01017	滚针轴承 Bearing	4	
24	A50A5-01018	隔圈 Spacer	1	
25	A50A5-01019	隔圈 Spacer	1	
26	GB/T276-94	轴承6210 Bearing	1	