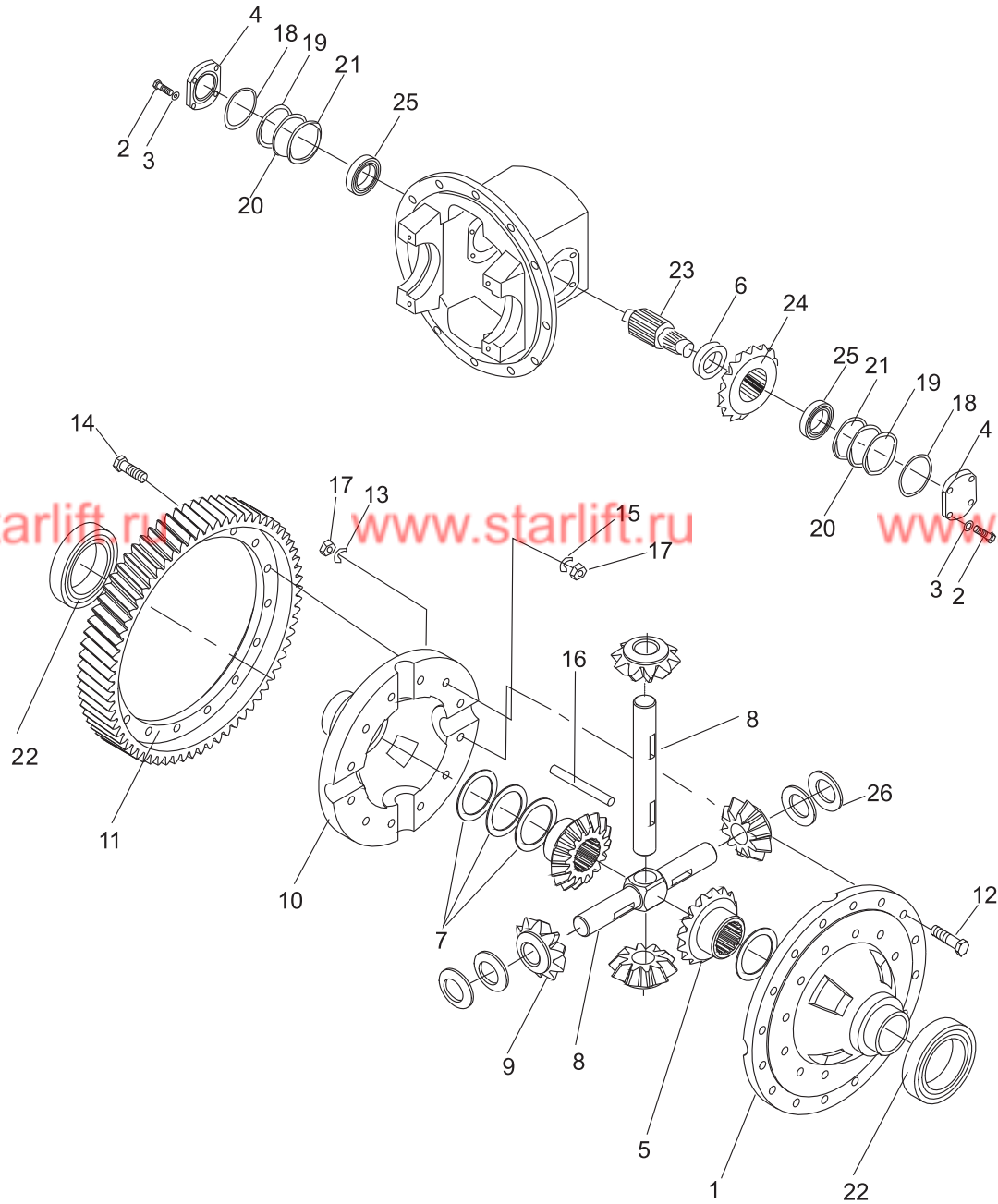


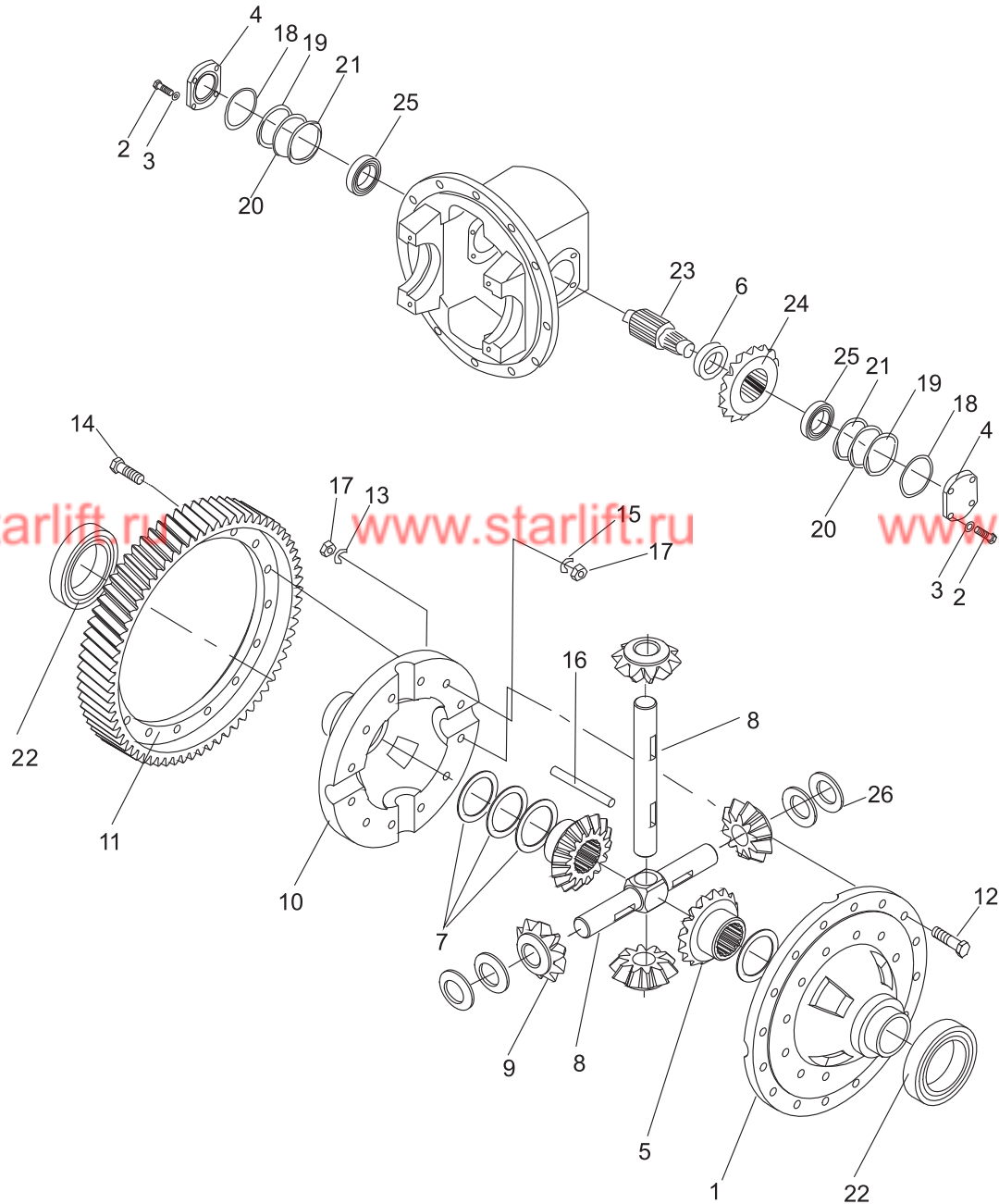
差速器总成
Differential



差速器总成 Differential

序号 Item	零件号 Part No	零部件名称 Description	数量 Q'ty	备注 Remark
1	A30A5-02701	左差速器壳体 Case, cross L. H	1	
2	GB/T5786-2000	螺栓M10×1.25×25 Bolt	8	
3	GB/T93-1987	弹垫10 Washer,lock	8	
4	A30A5-02702	轴承盖 Cover, bearing	2	
5	A30A5-02703	半轴齿轮 Gear, side	2	
6	A30A5-02704	衬套 Spacer	1	
7	A30A5-02705	垫圈 Washer	2	
-	A30A5-02706	垫圈 Washer	2	
-	A30A5-02707	垫圈 Washer	2	
8	A30A5-02708	小齿轮轴 Shaft, pinion	1	
-	A30A5-02709	小齿轮轴 Shaft, pinion	1	
9	A30A5-02710	行星齿轮 Gear, Pinion	4	
10	A30A5-02711	右差速器壳体 Case, cross R. H	1	
11	A30A5-02712	齿圈 Gear, ring	1	
12	A30A5-02713	螺栓 Bolt	12	
13	A30A5-02714	锁片 Washer, lock	8	
14	A30A5-02715	螺栓 Bolt	16	
15	A30A5-02716	锁片 Plate, lock	8	
16	GB/T119-2000	圆柱销 d6×30 Pin parallel	2	
17	GB/T6171-2000	螺母 M10×1.25 Nut	28	
18	GB/T1235-76	O形圈75×3.1 O-ring	2	

差速器总成 Differential



差速器总成 Differential

序号 Item	零件号 Part No	零部件名称 Description	数量 Q'ty	备注 Remark
19	A30A5-02717	垫片 Shim	2	
20	A30A5-02718	垫片 Shim	4	
21	A30A5-02719	垫片 Shim	2	
22	GB272-93	轴承213 Bearing	2	
23	A30A5-02720	齿轴 Shaft, final pinion gear	1	
24	A30A5-02721	螺旋伞齿轮 Gear, spiral vevel	1	
25	GB297-94	圆锥滚子轴承7507 Bearing	2	
26	A30A5-02722	止推垫圈 Washer, thrust	4	