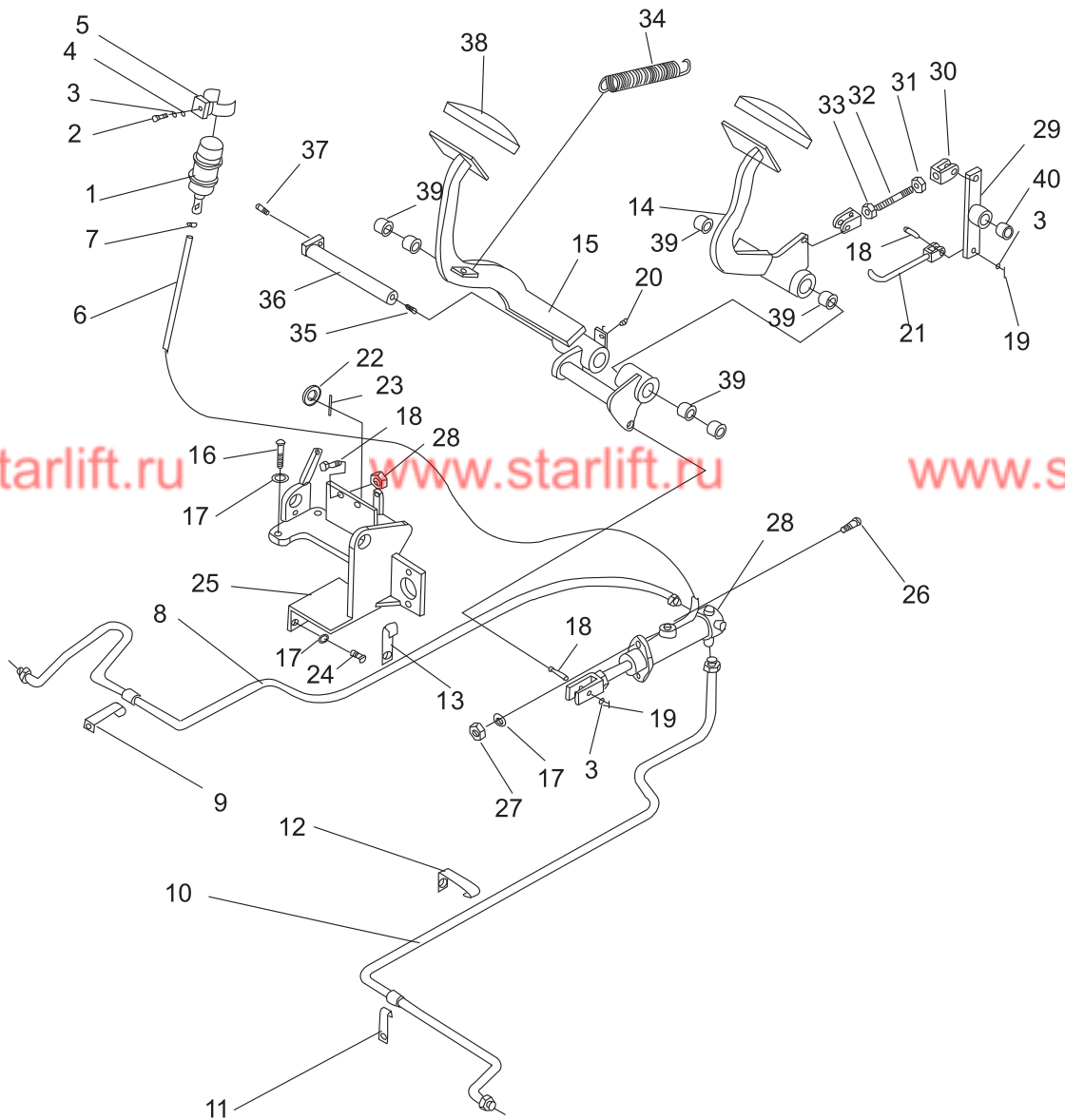


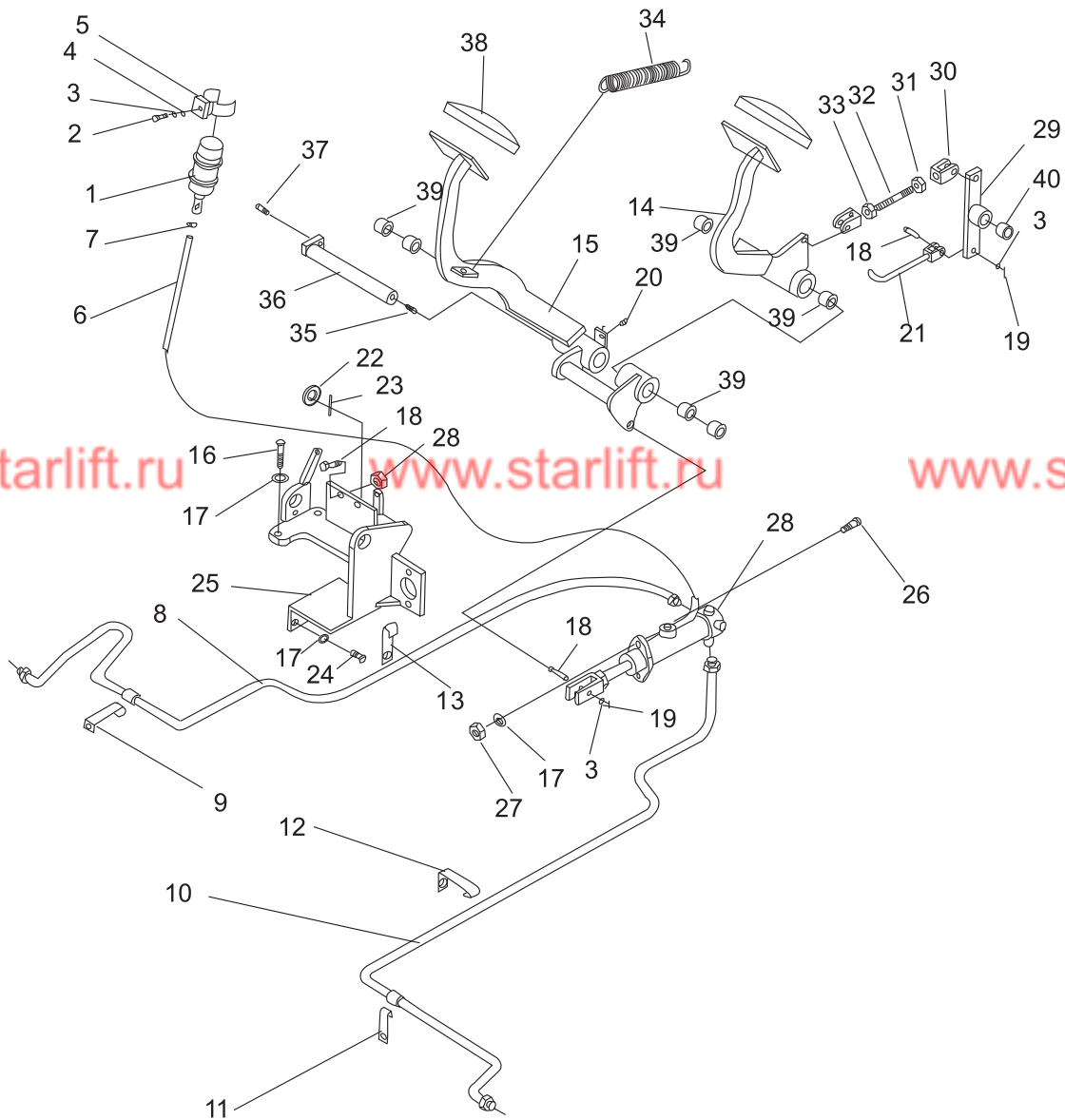
行车制动与微动操纵 (液力式)
Brake & inching control (tor-con type)



行车制动与微动操纵 (液力式)
 Brake & inching control (tor-con type)

序号 Item	零件号 Part No	零部件名称 Description	数量 Q'ty	备注 Remark
1	A30A7-10002	储油罐 Tank, reserve	1	
2	GB/T5783-2000	螺栓M8×20 Bolt	1	
3	GB/T93-1987	弹垫8 Washer, lock	4	
4	GB/T97. 1-1985	平垫8 Washer	1	
5	A30A7-10001	储油罐夹 Clip	1	
6	TG000-10150	制动油管 φ 10L=1500 Hose	1	
7	TK000-13019	双钢丝卡箍 φ 13~ φ 19 Clip	2	
8	A30B7-10100	制动油管 (右) Hose	1	3-3.5t
	A20B7-10100	制动油管 (右) Hose	1	2-2.5t
9	A30A7-10003	管夹 Clip	1	
10	A30B7-10200	制动油管 (左) Hose	1	3-3.5t
	A20B7-10200	制动油管 (左) Hose	1	2-2.5t
11	A30A7-10004	管夹 Clip	1	
12	A30B7-11001	管夹 Clip	1	
13	A30B7-11002	管夹 Clip	1	
14	A30B7-10300	微动踏板 Clutch pedal	1	
15	A30B7-10400	制动踏板 Clutch pedal	1	
16	GB/T5783-2000	螺栓M10×25 Bolt	2	
17	GB/T93-1987	弹垫10 Washer, lock	4	
18	GB882-86	销轴8×30 Pin, clevis	3	
19	GB/T91-2000	开口销3×15 Pin	5	
20	A30A7-11005	橡皮顶轴 Rubber	1	
21	A30B7-10500	连接杆 Link	1	

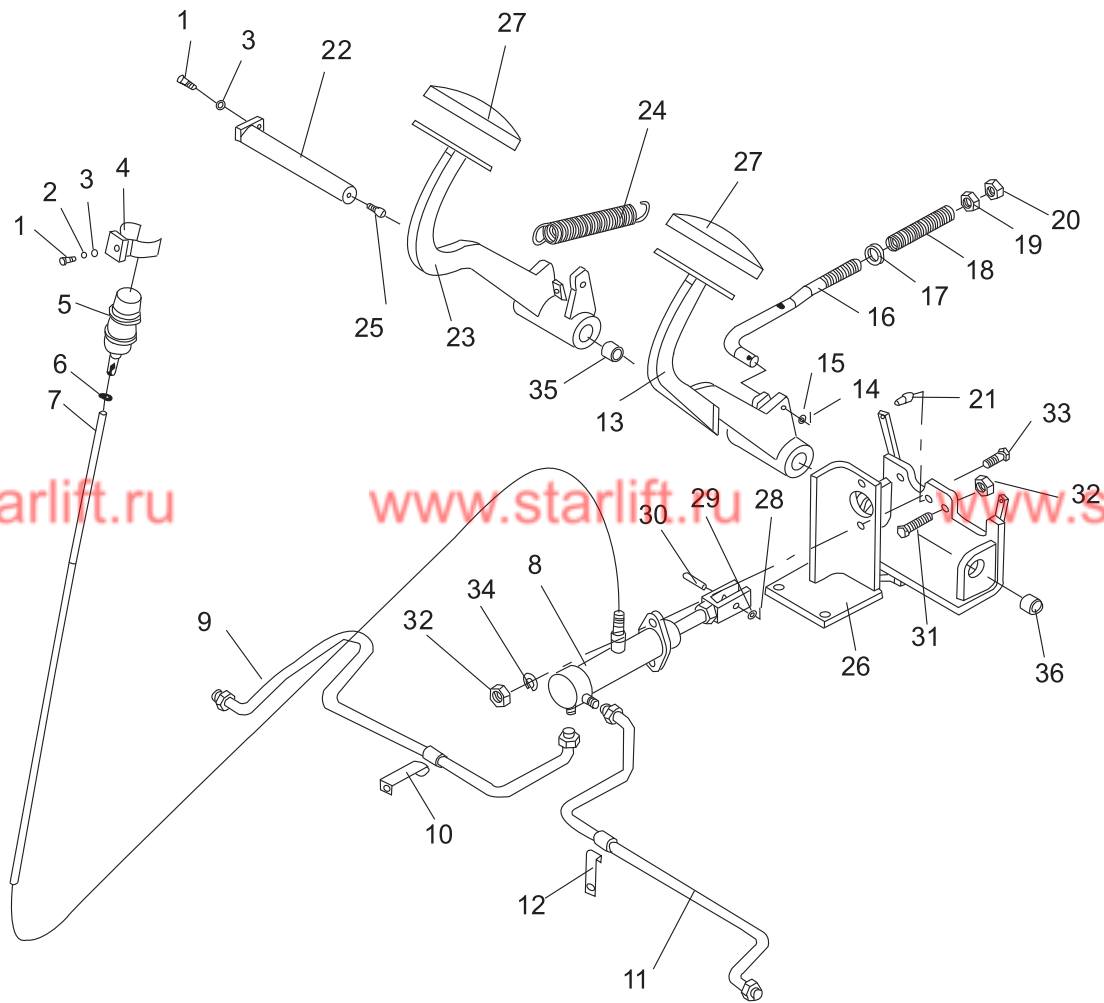
行车制动与微动操纵 (液力式)
Brake & inching control (tor-con type)



行车制动与微动操纵 (液力式)
 Brake & inching control (tor-con type)

序号 Item	零件号 Part No	零部件名称 Description	数量 Q'ty	备注 Remark
22	GB/T97. 1-1985	平垫16 Washer	1	
23	GB/T91-2000	开口销4×25 Pin	1	
24	GB/T5783-2000	螺栓M10×20 Bolt	2	
25	A30B7-10600	支架 Bracket	1	
26	GB/T5782-2000	螺栓M10×35 Bolt	2	
27	GB/T6170-2000	螺母M10 Nut	4	
28	A30A7-10100	制动总泵 Master cylinder	1	
29	A30B7-10700	摇臂 Link	1	
30	A30B7-11003	支耳M10(左旋) Clevis	1	
-	A30B7-11004	支耳M10(右旋) Clevis	1	
31	GB/T6170-2000	螺母M10(左) Nut	1	
32	A30B7-11005	螺杆 Rod	1	
33	GB/T5783-2000	螺栓M10×30 Bolt	1	
34	A30A7-11006	拉簧 Spring	2	
35	GB1153-74	油杯90° M10×1 Fitting	1	
36	A30B7-10800	销轴 Pin, clevis	1	
37	GB/T5783-2000	螺栓M10×40 Bolt	1	
38	A30A7-10012	踏板垫 Head cover	2	
39	Z2135-02525	钢背轴承2525 Bushing	6	
40	Z2135-01625	钢背轴承1625 Bushing	1	

行车制动与离合操纵 (机械式)
Brake & clutch control (clutch-type)

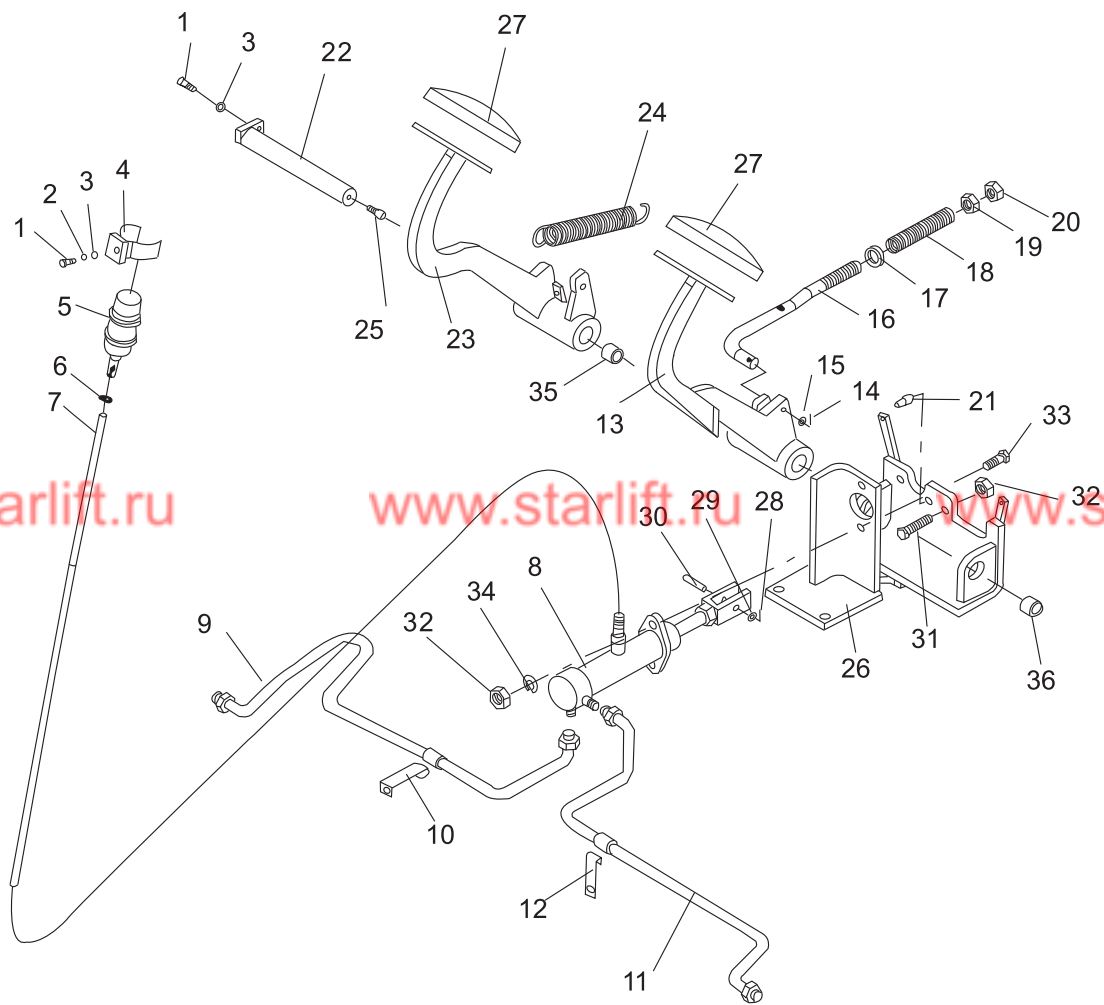


行车制动与离合操纵 (机械式)

Brake & clutch control (clutch-type)

序号 Item	零件号 Part No	零部件名称 Description	数量 Q'ty	备注 Remark
1	GB/T5783-2000	螺栓M8×20 Bolt	2	
2	GB/T93-1987	弹垫8 Washer, lock	1	
3	GB/T97. 1-1985	平垫8 Washer	2	
4	A30A7-10001	储油罐夹 Clip	1	
5	A30A7-10002	储油罐 Tank, reserve	1	
6	TK000-13019	双钢丝卡箍 $\phi 13 \sim \phi 19$ Clip	2	
7	TG000-10090	制动油管 $\phi 10$ L=900 Hose	1	
8	A30A7-10100	制动总泵 Master cylinder	1	
9	A30A7-10200	制动油管 (右) Hose (right)	1	3-3.5t
	A20A7-10100	制动油管 (右) Hose (right)	1	2-2.5t
10	A30A7-10003	管夹 Clip	1	
11	A30A7-10300	制动油管 (左) Hose (left)	1	3-3.5t
	A20A7-10200	制动油管 (左) Hose (left)	1	2-2.5t
12	A30A7-10004	管夹 Clip	1	
13	A30A7-10400	离合踏板 Clutch pedal	1	
14	GB/T91-2000	开口销3×25 Pin	1	
15	GB/T97. 1-1985	平垫10 Washer	1	
16	A30A7-11001	分离杆 Rod	1	
17	A30A7-11002	垫圈 Washer	1	
18	A30A7-11003	压簧 Spring	1	
19	A30A7-11004	螺母 Nut	1	
20	GB/T6170-2000	螺母M12 Nut	1	
21	A30A7-11005	橡皮顶轴 Rubber	1	

行车制动与离合操纵 (机械式)
Brake & clutch control (clutch-type)

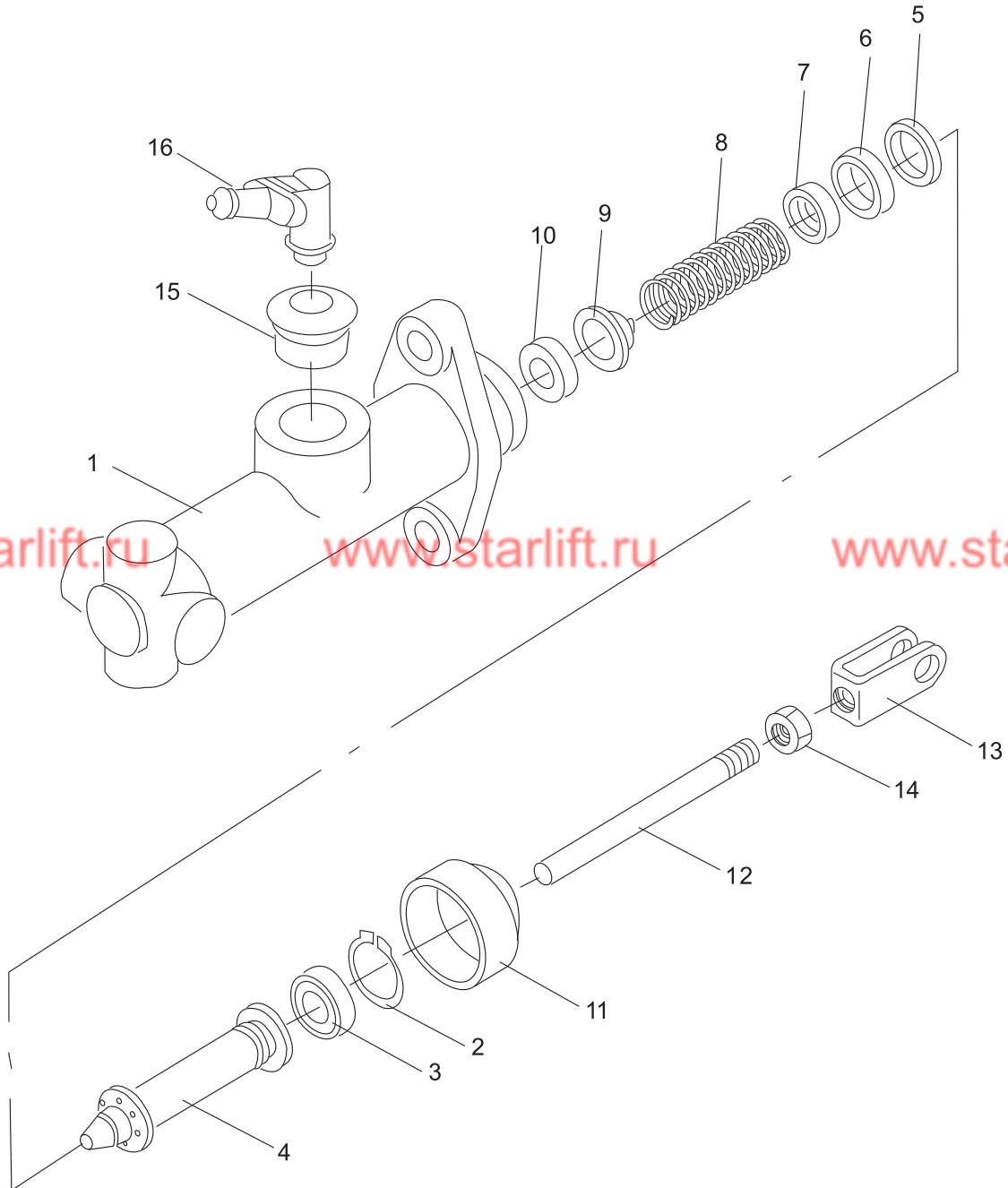


行车制动与离合操纵 (机械式)

Brake & clutch control (clutch-type)

序号 Item	零件号 Part No	零部件名称 Description	数量 Q'ty	备注 Remark
22	A30A7-10500	销轴 Pin, clevis	1	
23	A30A7-10600	制动踏板 Brake pedal	1	
24	A30A7-11006	拉簧 Spring	2	
25	GB1153-74	油杯90° M10×1 Fitting	1	
26	A30A7-10700	支架 Bracket	1	
27	A30A7-10012	踏板垫 Head cover	2	
28	GB/T91-2000	开口销3×15 Pin	1	
29	GB/T97.1-1985	平垫8 Washer	1	
30	GB882-86	销轴10×25 Pin, clevis	1	
31	GB/T5783-2000	螺栓M10×30 Bolt	2	
32	GB/T6170-2000	螺母M10 Nut	4	
33	GB/T5782-2000	螺栓M10×35 Bolt	2	
34	GB/T93-1987	弹垫10 Washer,lock	2	
35	Z2131-02525	钢背轴承2525 Bushing	2	
36	Z2132-02525	钢背轴承2525 Bushing	2	

制动总泵
Master cylinder



制动总泵 Master cylinder

序号 Item	零件号 Part No	零部件名称 Description	数量 Q'ty	备注 Remark
A	A30A7-10100	制动总泵 Master cylinder	1	
1	A30A7-10101	阀体 Body	1	
2	A30A7-10102	止动环 Ring, stopper	1	
3	A30A7-10103	活塞 Piston	1	
4	A30A7-10104	前皮碗 Cup, secondary	1	
5	A30A7-10105	衬套皮碗 Spacer, cup	1	
6	A30A7-10106	主皮碗 Cup, primary	1	
7	A30A7-10107	弹簧座 Sear, spring	1	
8	A30A7-10108	弹簧 Spring	1	
9	A30A7-10109	切断阀 valve, check	1	
10	A30A7-10110	阀座 Seat, valve	1	
11	A30A7-10111	保护罩 Boots	1	
12	A30A7-10112	推杆 Rod, push	1	
13	A30A7-10113	支耳 Clevis	1	
14	GB/T6170-2000	螺母M8 Nut	1	
15	A30A7-10114	胶皮衬套 Bushing, rubber	1	
16	A30A7-10115	接头 Union	1	