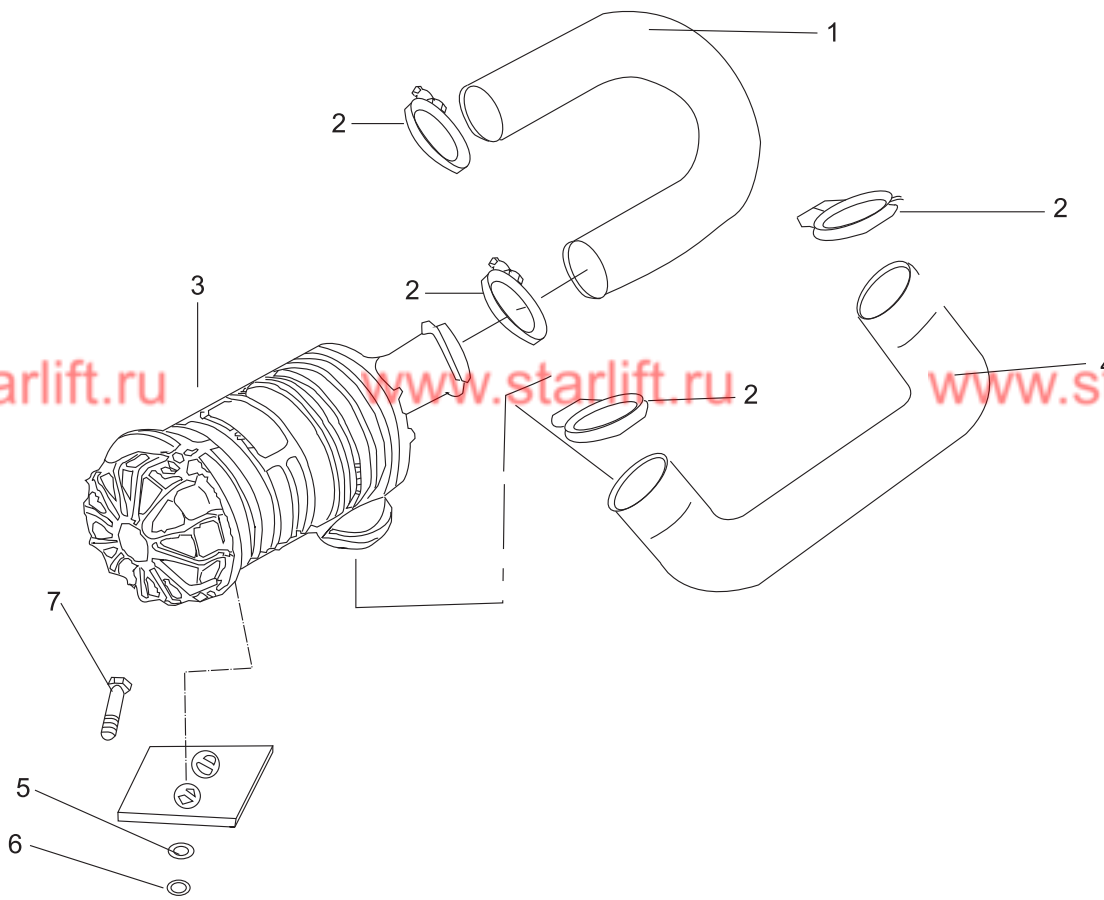


进气系统

Air intake system



进气系统

Air intake system

序号 Item	零件号 Part No	零部件名称 Description	数量 Q'ty	备注 Remark
1	A30A5-11001	进气管A Hose, intake air	1	FD/Y20~35B/C-X1/X2/X3/ X4/X5/W2/R3/S1/Y2/D1
	A30D5-10102	进气管A Hose, intake air	1	FD/Q/Y20~35B-W1/Y1/ N1/R1/R2/BY1
2	TK000-64076	卡箍 $\phi 64\sim\phi 76$ Clip	4	
3	A30A5-11200	空气滤清器 Air cleaner	1	FD/Q/Y20~35B/C-X1/X2/ X3/X4/X5/W2/R3/Y1/Y2/ D1/N1/R1/R2
	A30D5-10200	空气滤清器 Air cleaner	1	FD/Y20~30B-W1/ S1/BY1
4	A30A5-11002	进气管B Hose, intake air	1	FD20~35B/C-X1/X2/X3/ X4/X5
	A30D5-10101	进气管B Hose, intake air	1	FD20~30B-W1
	A30G5-10101	进气管B Hose, intake air	1	FD30~35B-W2
	A30F5-10101	进气管B Hose, intake air	1	FY20~30B-S1
	A20E5-10101	进气管B Hose, intake air	1	FQ/Y20~35B-R1/R2/BY1
	A30H5-10101	进气管B Hose, intake air	1	FD20~35B-Y1/Y2
	A30M5-11002	进气管B Hose, intake air	1	FD20~30B-N1
	A35A5-11001	进气管B Hose, intake air	1	FD30~35B-D1
	A25L5-11001	进气管B Hose, intake air	1	FD20~35B-R3
5	GB/T97.1-1985	平垫 8 Washer	2	
6	GB/T93-1987	弹垫 8 Washer,lock	2	
7	GB/T5783-2000	螺栓 M8×20 Bolt	2	