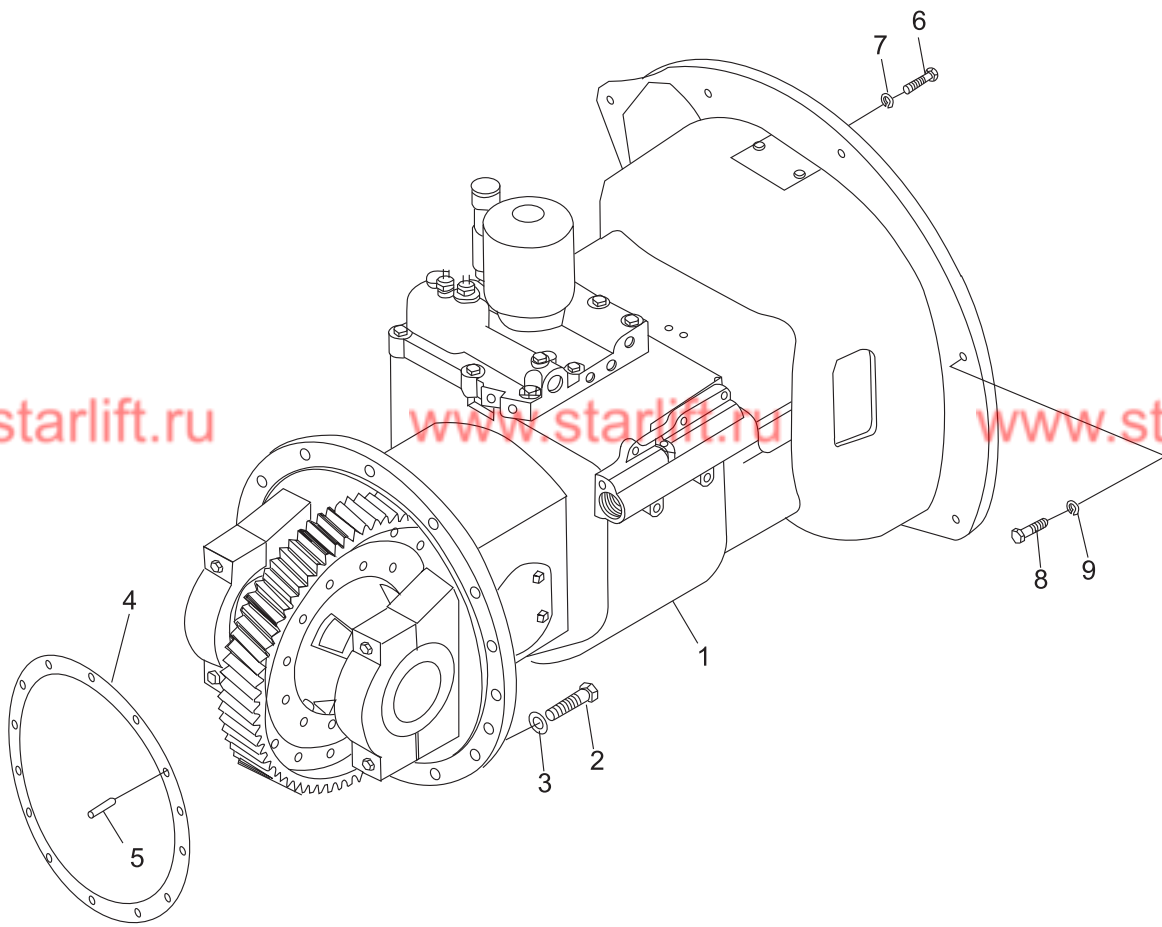


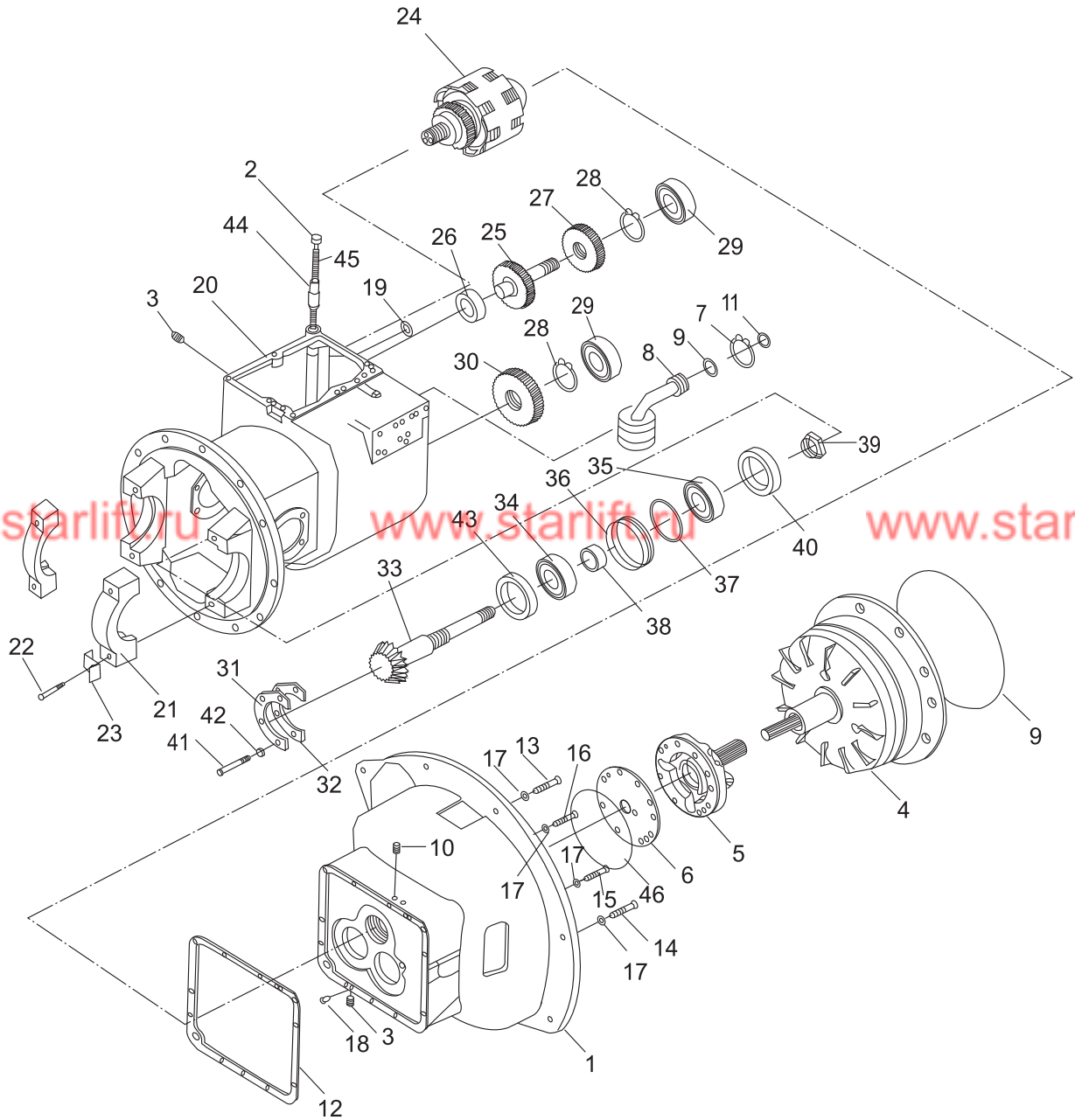
传动装置安装 (液力式)  
Drive unit mount (tor-con type)



传动装置安装 (液力式)  
Drive unit mount (tor-con type)

序号 Item	零件号 Part No	零部件名称 Description	数量 Q'ty	备注 Remark
1	A30B5-02000	电子换向液力变速箱总成 Drive unit	1	FD20~35B-X1/X2/ X3/X4/X5/D1
	A30B5-03000	手动换向液力变速箱总成 Drive unit	1	FD20~35B-X1/X2/ X3/X4/X5/D1
	A30D5-00100	电子换向液力变速箱总成 Drive unit	1	FD20~35B-W1/W2 /Y1/Y2/R3/JH1
	A30D5-00200	手动换向液力变速箱总成 Drive unit	1	FD20~35B-W1/W2 /Y1/Y2/R3/JH1
	A30E5-00100	电子换向液力变速箱总成 Drive unit	1	FD20~35B-R1/R2
	A30E5-00200	手动换向液力变速箱总成 Drive unit	1	FD20~35B-R1/R2
	A30F5-00100	电子换向液力变速箱总成 Drive unit	1	FY20~30B-S1
	A30F5-00200	手动换向液力变速箱总成 Drive unit	1	FY20~30B-S1
	A30S5-01000	电子换向液力变速箱总成 Drive unit	1	FQ/Y20~30B-BY1
	A30S5-02000	手动换向液力变速箱总成 Drive unit	1	FQ/Y20~30B-BY1
2	GB/T5785-2000	螺栓 M12×1.25×40 Bolt	12	
3	GB/T93-1987	弹垫 12 Washer, lock	12	
4	A30A5-02001	密封垫 Packing	1	
5	GB/T119-2000	销 B10×20 Pin, parallel	1	
6	GB/T5783-2000	螺栓 M8×20 Bolt	6	
7	GB/T93-1987	弹垫 8 Washer, lock	6	
8	GB/T5783-2000	螺栓 M10×35 Bolt	9	
9	GB/T93-1987	弹垫 10 Washer, lock	9	

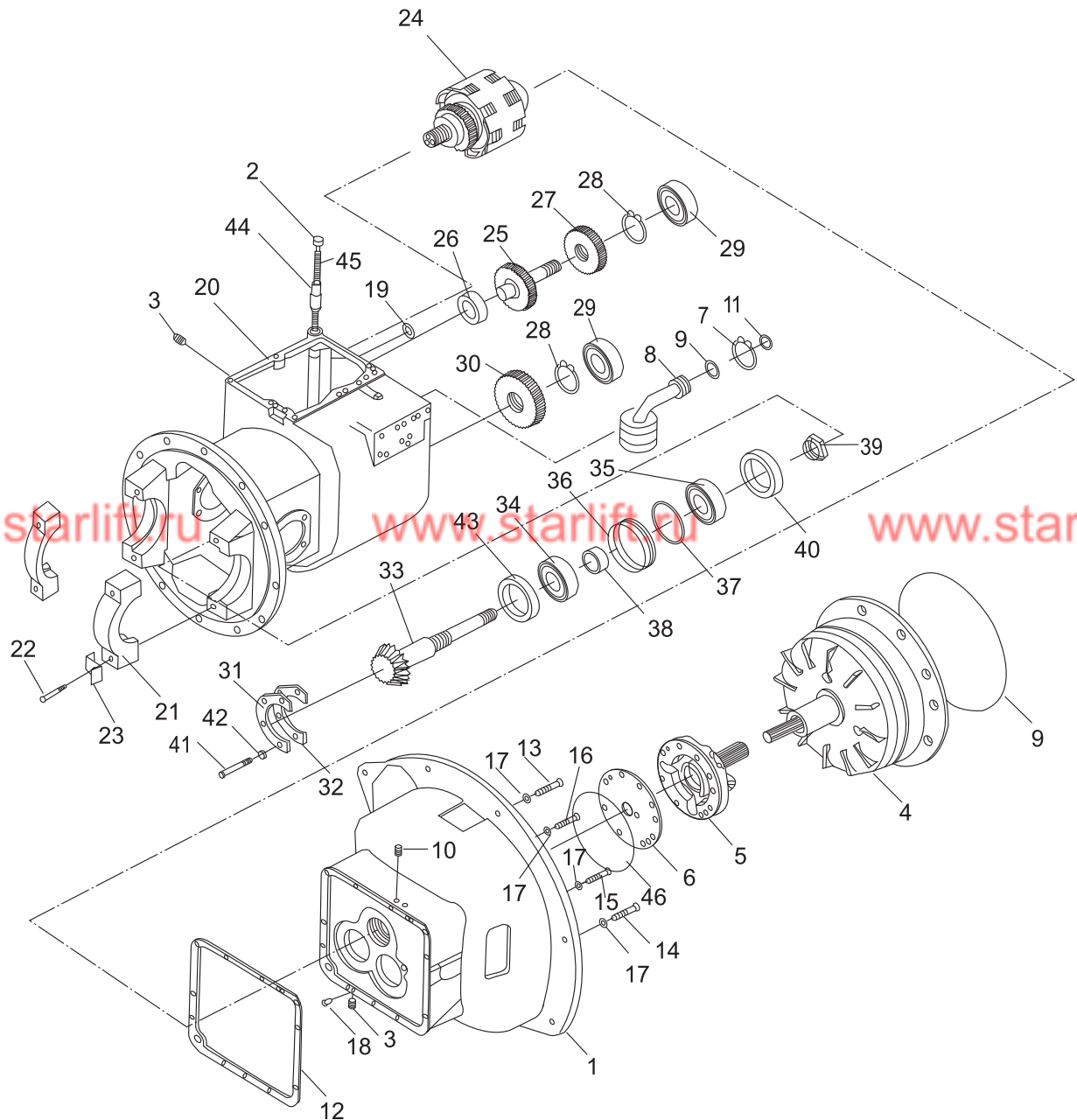
传动装置 (液力式)  
Drive unit (tor-con type)



传动装置 (液力式)  
Drive unit (tor-con type)

序号 Item	零件号 Part No	零部件名称 Description	数量 Q'ty	备注 Remark
1	A30B5-02001	变矩器壳体 Case, tor-con	1	FD20~35B-X1/X2/ X3/X4/X5/D1
	A30D5-00101	变矩器壳体 Case, tor-con	1	FD20~35B-W1/W2 /Y1/Y2/R3/JH1
	A30E5-00101	变矩器壳体 Case, tor-con	1	FD20~35B-R1/R2
	A30F5-00101	变矩器壳体 Case, tor-con	1	FY20~30B-S1
	A30S5-01001	变矩器壳体 Case, tor-con	1	FQ/Y20~30B-BY1
2	A30B5-02002	加油口盖 Cap	1	
3	Q/Z285-4	螺塞1/2 " Plug	4	
4	A30B5-02100	变矩器总成 Tor-xon ass'y	1	FD20~35B-X1/X2/ X3/X4/X5/D1
	A30D5-00110	变矩器总成 Tor-xon ass'y	1	FD20~35B-W1/W2 /Y1/Y2/R3/JH1
	A30E5-00110	变矩器总成 Tor-xon ass'y	1	FD20~35B-R1/R2
	A30F5-00110	变矩器总成 Tor-xon ass'y	1	FY20~30B-S1
	A30S5-01100	变矩器总成 Tor-xon ass'y	1	FQ/Y20~30B-BY1
5	A30B5-02200	供油泵总成 Charging pump ass'y	1	
6	A30B5-02003	衬垫 Gasket	1	
7	GB894-1986	挡圈 35 Snap ring	1	
8	A30B5-02004	滤油器 Strainer	1	
9	GB/T1235-76	O形圈35×3.1 O-ring	1	
10	Q/Z285-2	内六角螺塞1/4 " Plug	2	
11	GB/T1235-76	O形圈28×3.5 O-ring	1	
12	A30B5-02005	垫片 Gasket	1	
13	GB/T5785-2000	螺栓M10×1.25×75 Bolt	1	

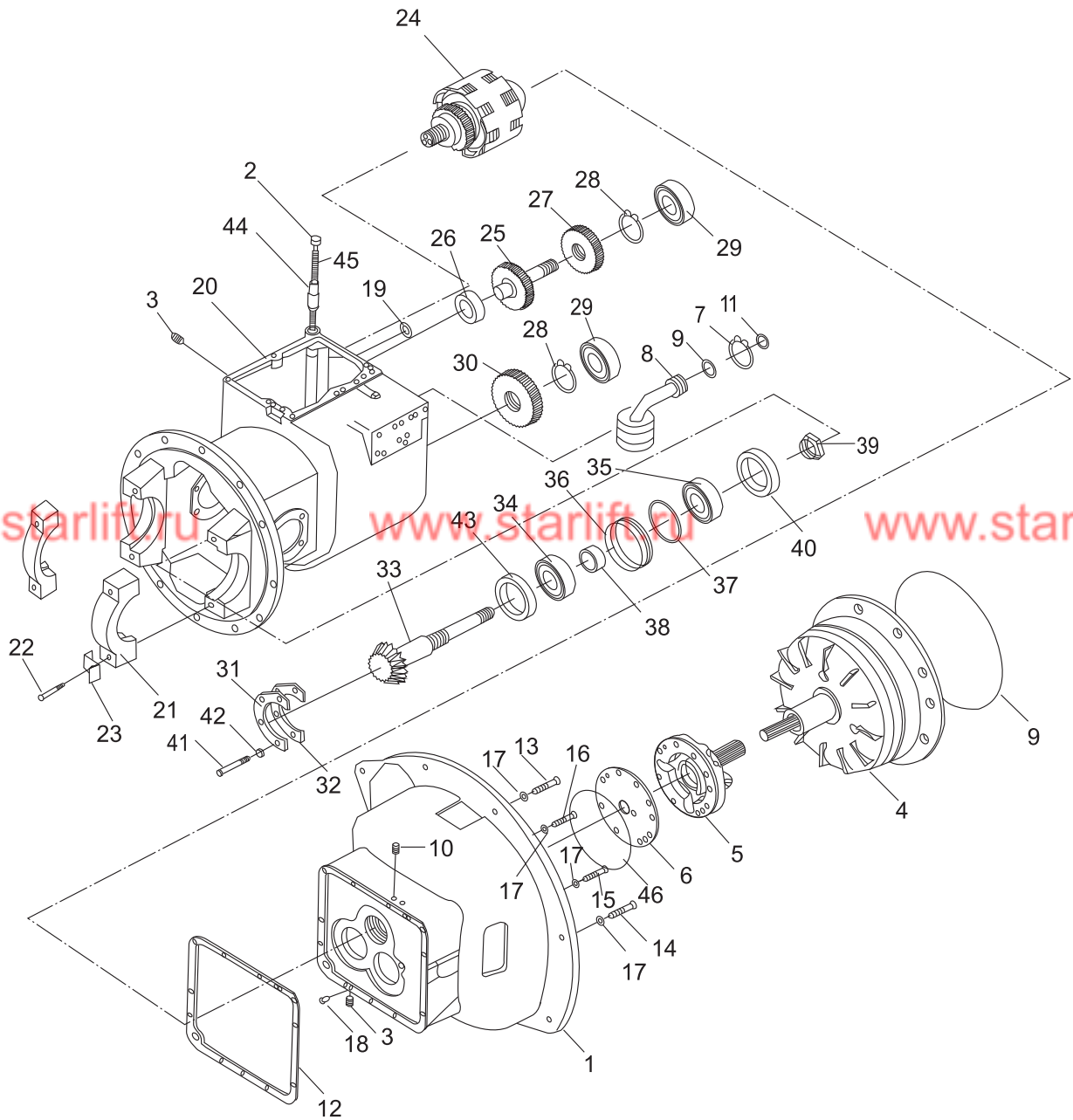
传动装置 (液力式)  
Drive unit (tor-con type)



传动装置 (液力式)  
Drive unit (tor-con type)

序号 Item	零件号 Part No	零部件名称 Description	数量 Q'ty	备注 Remark
14	GB/T5785-2000	螺栓M10×1.25×55 Bolt	3	
15	GB/T5785-2000	螺栓M10×1.25×50 Bolt	1	
16	GB/T5785-2000	螺栓M10×1.25×30 Bolt	4	
17	GB/T93-1987	弹垫10 Washer, lock	9	
18	GB/T119-2000	销 B12×20 Pin	2	
19	GB/T1235-76	O形圈15×2.4 O-ring	1	
20	A30B5-02006	壳体 Case, mission	1	
21	A30B5-02007	轴承座 Cap, bearing	2	
22	A30B5-02008	螺栓 Bolt	4	
23	A30B5-02009	垫片 Plate,lock	4	
24	A30B5-02300	离合器总成 Clutch, hydraulic	1	
25	A30B5-02010	惰轮轴 Shaft, idler	1	
26	GB276-64	轴承206 Bearing	1	
27	A30B5-02011	惰轮 Gear, idler	1	
28	GB893-86	挡圈24 Snap ring	2	
29	GB276-64	轴承207 Bearing	2	
30	A30B5-02012	输出齿轮 Gear, output	1	
31	A30B5-02013	支承片 Plate, bearing support	1	
32	A30B5-02014	垫片 Shim	按需	
-	A30B5-02015	垫片 Shim	按需	
-	A30B5-02016	垫片 Shim	按需	

传动装置 (液力式)  
Drive unit (tor-con type)

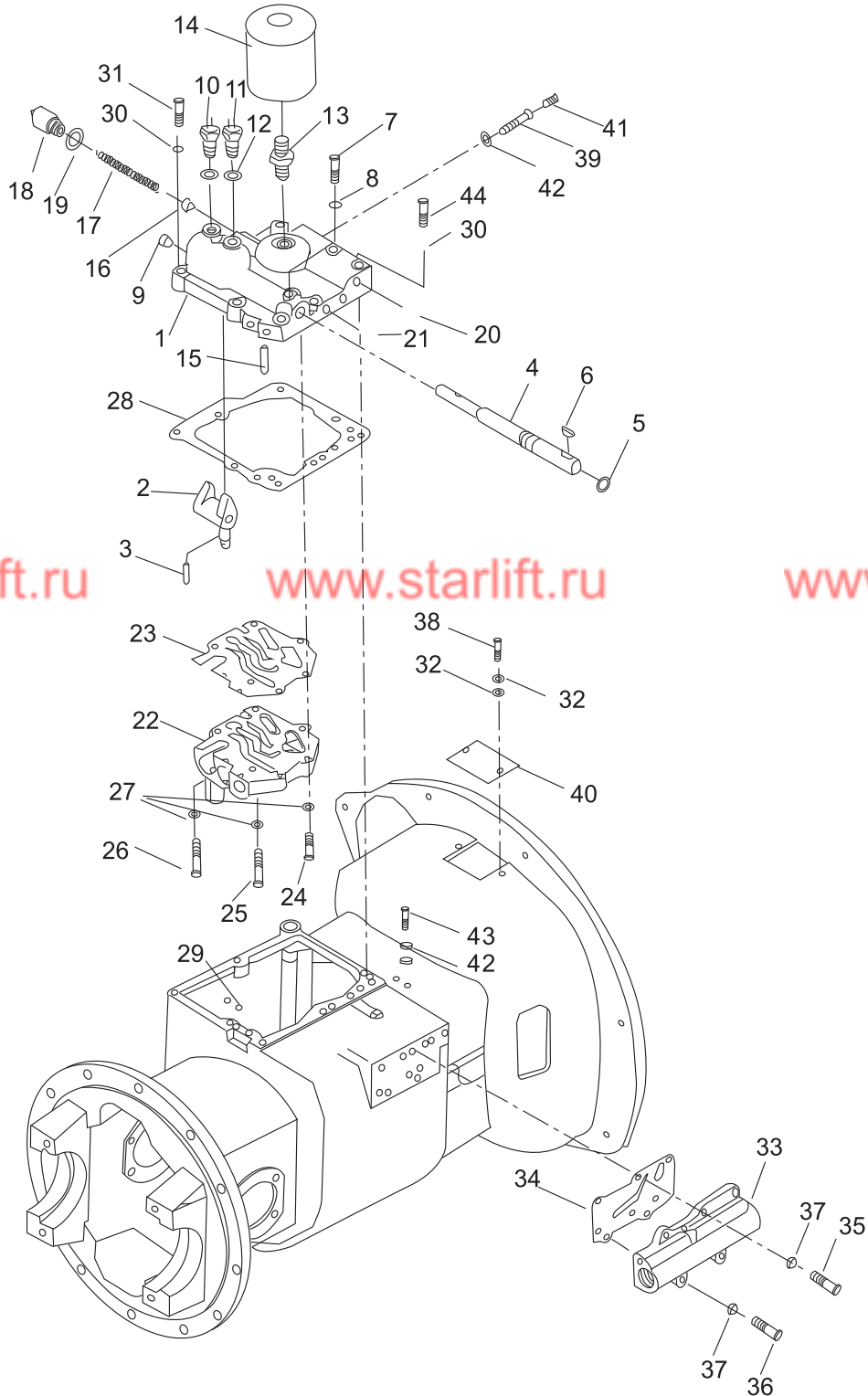


传动装置 (液力式)  
Drive unit (tor-con type)

序号 Item	零件号 Part No	零部件名称 Description	数量 Q'ty	备注 Remark
33	A30B5-02017	输出轴 Shaft, output	1	
34	Z-7508	轴承7508 Bearing	2	
35	Z-7208	轴承7208 Bearing	1	
36	A30B5-02018	油封保持架 Retainer, oil seal	1	
37	GB/T1235-76	O形圈80×3.1 O-ring	1	
38	A30B5-02019	油封 Seal, oil	1	选用
39	A30B5-02020	螺母 Nut	1	选用
40	A30B5-02021	垫 Shim	1	选用
-	A30B5-02022	垫 Shim	1	选用
-	A30B5-02023	垫 Shim	1	选用
41	GB5782-86	螺栓M8×20 Bolt	4	
42	GB/T93-1987	弹垫8 Washer,lock	15	
43	A30B5-02024	轴环 Collar	1	
44	A30B5-02025	加油管 Pipe, oil fill	1	
45	A30B5-02026	衬垫 Gasket	1	



传动装置 (盖和微动阀)  
Drive unit (cover & inching valve)

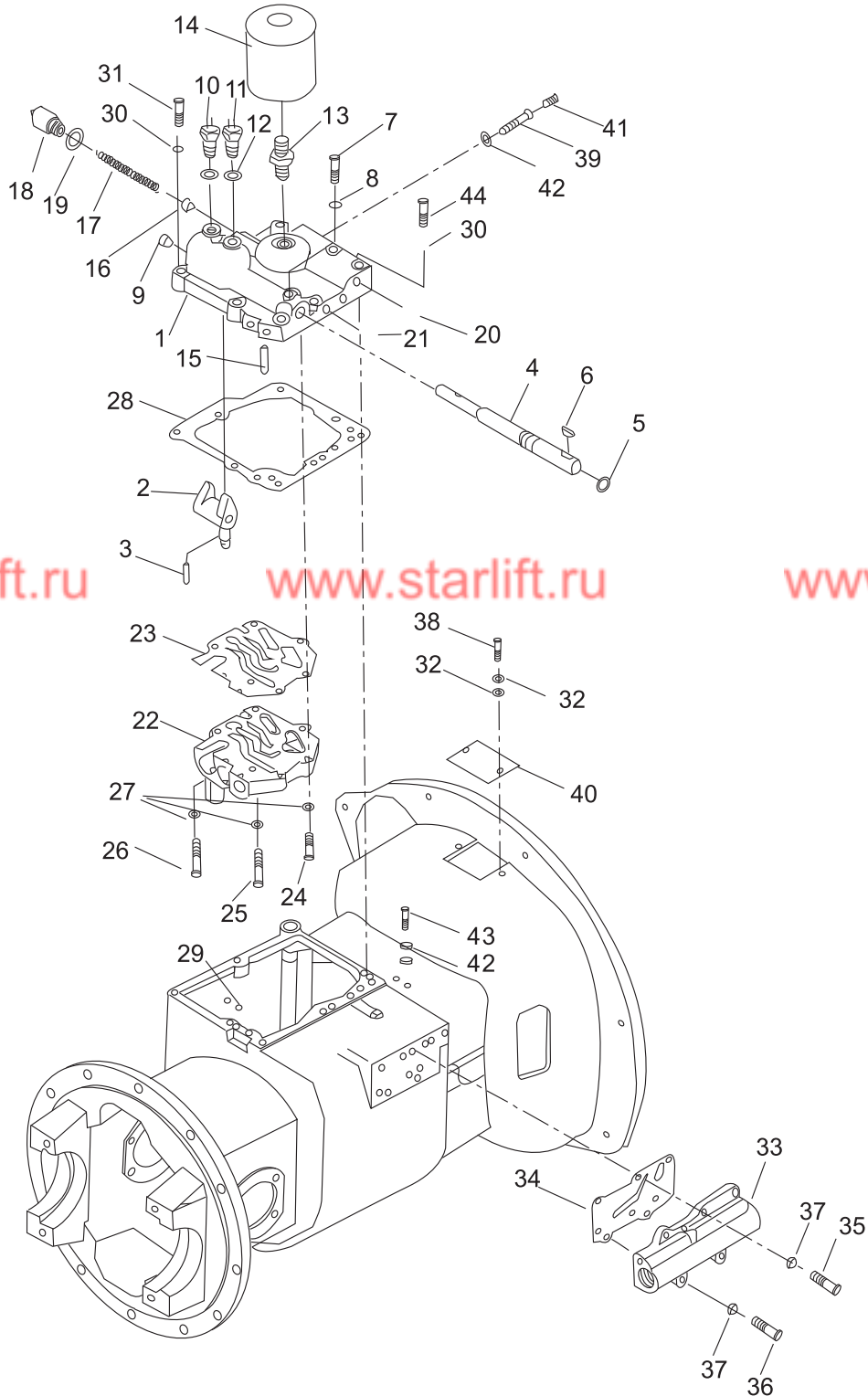


## 传动装置 (盖和微动阀)

## Drive unit (cover &amp; inching valve)

序号 Item	零件号 Part No	零部件名称 Description	数量 Q'ty	备注 Remark
1	A30B5-02027	壳体盖 Cover, case	1	
2	A30B5-02028	变速臂 Arm, shift	1	
3	GB879-76	销 6×32 Pin, lock	1	
4	A30B5-02029	变速臂轴 Shaft, shift arm	1	
5	GB/T1235-76	O形圈20×2.4 O-ring	1	
6	GB1099-79	半圆键5×19key, woodruff	1	
7	A30B5-02030	螺栓 Bolt	1	
8	A30B5-02031	衬垫 Shim	7	
9	A30B5-02032	塞子 Plug	1	
10	DZ05G-J208	倒车灯开关 Switch	1	
11	DZ05G-J209	空档开关 Switch	1	
12	A30B5-02034	垫片 Washer	2	
13	A30B5-02035	管接头 Nipple	1	
14	A30B5-02036	滤油器 Filter, oil	1	
15	GB879-76	弹性圆柱销 4×25 Pin, lock	1	
16	A30B5-02037	活塞 Piston	1	
17	A30B5-02038	弹簧 Spring	1	
18	A30B5-02039	安全阀盖 Cup	1	
19	A30B5-02040	衬垫 Packing, copper	1	
20	Q/ZB285-1	螺塞 1/8 " Plug	6	
21	Q/ZB285-2	螺塞 1/4 " Plug	4	
22	A30B5-02400	控制阀总成 Control valve ass'y	1	选用
-	A30B5-02041	电液控制阀 Electric-controller hydraulic valve	1	选用

传动装置 (盖和微动阀)  
Drive unit (cover & inching valve)

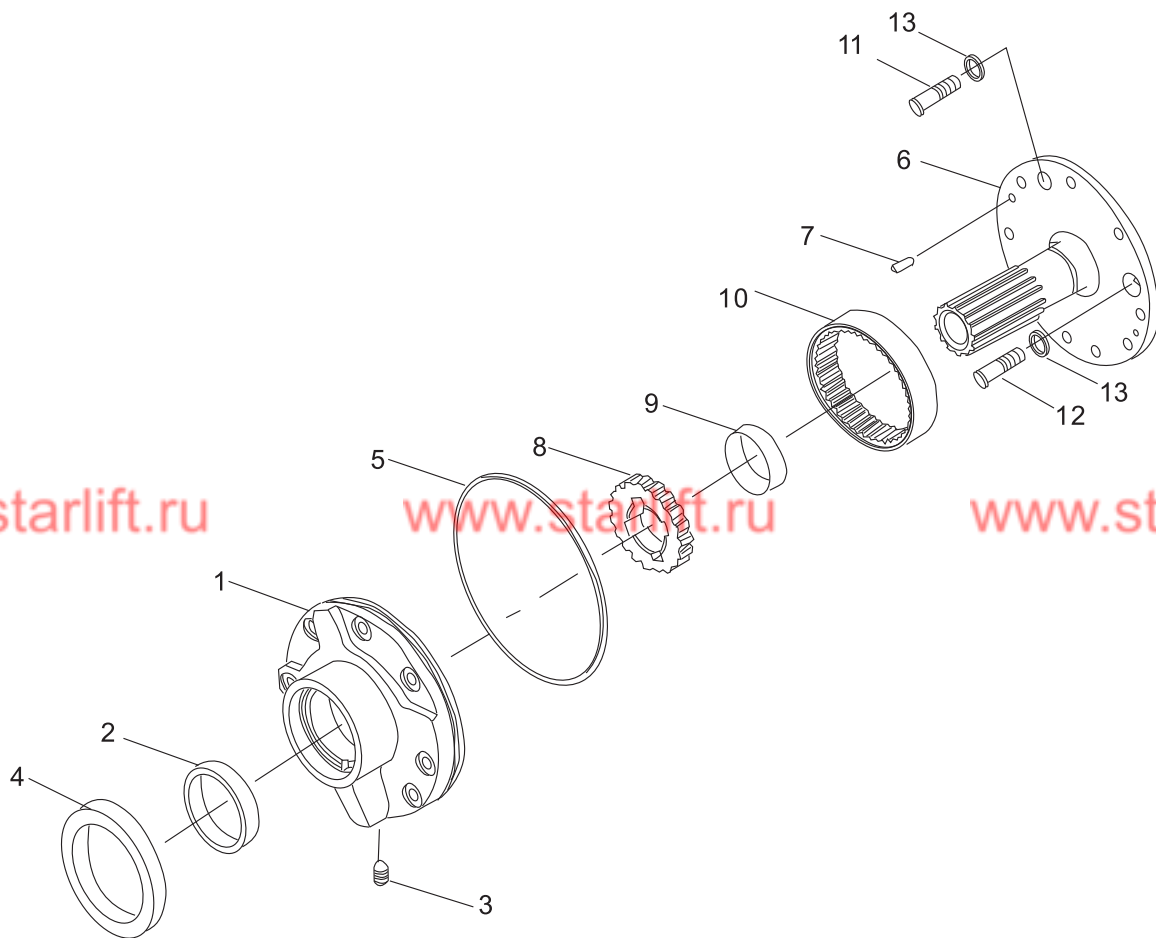


## 传动装置 (盖和微动阀)

## Drive unit (cover &amp; inching valve)

序号 Item	零件号 Part No	零部件名称 Description	数量 Q'ty	备注 Remark
23	A30B5-02042	垫片 Gasket	1	
24	GB/T5782-2000	螺栓M8×35 Bolt	2	
25	GB/T5782-2000	螺栓M8×55 Bolt	2	
26	GB/T5782-2000	螺栓M8×50 Bolt	2	
27	GB/T93-1987	弹垫8 Washer,lock	6	
28	A30B5-02043	垫片 Gasket	1	
29	GB/T1235-76	O形圈9×1.91 O-ring	2	
30	GB/T93-1987	弹垫10 Washer,lock	8	
31	GB/T5782-2000	螺栓M10×1.25×55 Bolt	2	
32	GB/T93-1987	弹垫8 Washer,lock	3	
33	A30B5-02500	微动阀总成 Inching valve ass'y	1	
34	A30B5-02044	衬垫 Shim	1	
35	GB/T5783-2000	螺栓M8×25 Bolt	4	
36	GB/T5783-2000	螺栓M8×50 Bolt	2	
37	GB/93-1987	弹垫8 Washer,lock	5	
38	GB/T5783-2000	螺栓M8×12 Bolt	2	
39	A30B5-02045	连接螺栓 Bolt, joint	1	
40	A30B5-02046	变矩器盖 Cover, tor-con	1	
41	A30B5-02047	螺塞 1/8 " Plug	1	
42	A30B5-02048	铜垫 Packing, copper	4	
43	A30B5-02049	连接螺栓 Bolt, joint	1	
44	GB/T5785-2000	螺栓M10×1.25×40 Bolt	6	

供油泵 (液力式)  
Charging pump (tor-con type)



## 供油泵 (液力式)

## Charging pump (tor-con type)

序号 Item	零件号 Part No	零部件名称 Description	数量 Q'ty	备注 Remark
	A30B5-02200	供油泵总成 Charging Pump ass'y	1	
1	A30B5-02201	泵体 Case, Pump	1	
2	A30B5-02202	衬套 Bushing	1	
3	A30B5-02203	螺塞 ZG1/8 " Plug	1	
4	A30B5-02204	油封 Seal, oil	1	
5	A30B5-02205	O形密封垫 O-ring	1	
6	A30B5-02206	定子 Support, starter	1	
7	GB/T119-2000	圆柱销 6×16 Pin	2	
8	A30B5-02207	主动齿轮 Gear, drive	1	
9	A30B5-02208	衬套 Bushing	1	
10	A30B5-02209	被动齿轮 Gear, driven	1	
11	GB/T5782-2000	螺栓M8×45 Bolt	4	
12	GB/T5783-2000	螺栓M8×25 Bolt	1	
-	GB/T5783-2000	螺栓M8×35 Bolt	3	
13	A30B5-02210	衬垫 Washer	2	

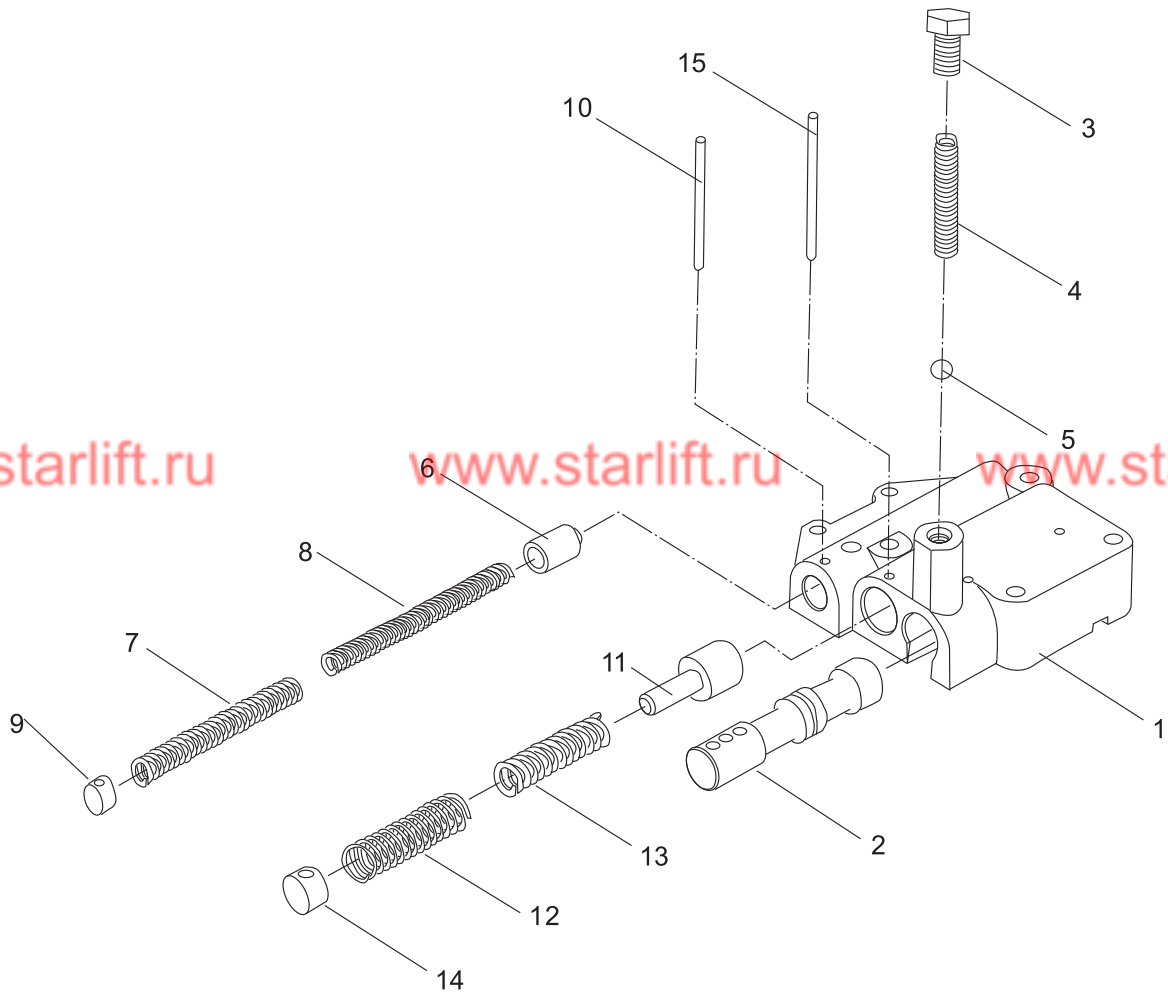


液力离合器 (液力式)  
Hydraulic clutch (tor-con type)

序号 Item	零件号 Part No	零部件名称 Description	数量 Q'ty	备注 Remark
	A30B5-02300	离合器总成 Clutch, hydraulic	1	
1	A30B5-02301	输入轴总成 Shift, input	1	
2	A30B5-02302	倒车档齿轮 Gear, reverse	1	
3	A30B5-02303	前进档齿轮 Gear, forward	1	
4	A30B5-02304	端板 Plate, end	2	
5	A30B5-02305	回程弹簧 spring, return	2	
6	A30B5-02306	弹簧座 Seat, spring	2	
7	A30B5-02307	止推环 A Ring, thrust	2	
8	A30B5-02308	止推环 B Ring, thrust	2	
9	A30B5-02309	活塞 Piston	1	
10	A30B5-02310	塞 Plug	1	
11	GB307-77	钢球 1/8 " Ball, steel	1	
12	A30B5-02311	摩擦片 Plate, friction	8	
13	A30B5-02312	隔片 Plate, separator	8	
14	A30B5-02313	密封环 A Ring , seal	4	
15	A30B5-02314	密封环 B Ring , seal	2	
16	GB/T1235-76	O形圈33.7×3.5 O-ring	2	
17	A30B5-02315	卡环 Snap, ring	2	
18	GB276-82	轴承206 Bearing	2	
19	A30B5-02316	滚针轴承 Bearing, needle	2	
20	GB/T894-2000	挡圈40 Snap, ring	2	
21	GB78-85	螺钉M8×8 Bolt	2	



控制阀 (液力式)  
Control valve (tor-con type)

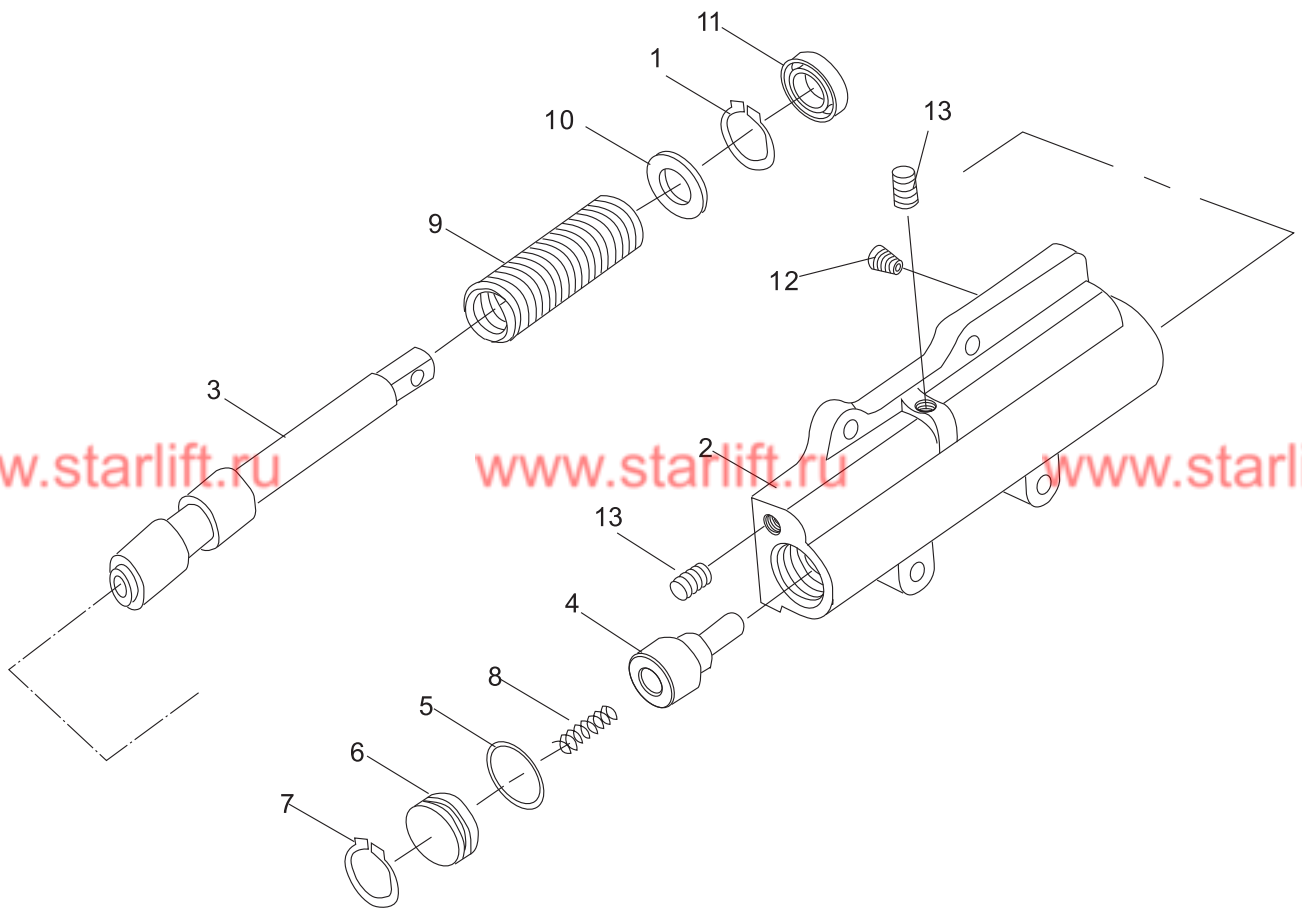


## 控制阀 (液力式)

## Control valve (tor-con type)

序号 Item	零件号 Part No	零部件名称 Description	数量 Q'ty	备注 Remark
	A30B5-02400	控制阀总成 Control valve ass'y	1	
1	A30B5-02401	阀体 Body, valve	1	
2	A30B5-02402	滑阀 Slide valve	1	
3	A30B5-02403	油塞 Plate,end	1	
4	A30B5-02404	弹簧 Spring	1	
5	GB308-77	钢球 13/32 " Ball	1	
6	A30B5-02405	活塞 Piston	1	
7	A30B5-02406	弹簧 Spring	1	
8	A30B5-02407	弹簧 Spring	1	
9	A30B5-02408	塞 Plug	1	
10	GB879-76	弹性圆柱销4×35 Pin, lock	1	
11	A30B5-02409	卷轴 Spool	1	
12	A30B5-02410	弹簧 Spring	1	
13	A30B5-02411	弹簧 Spring	1	
14	A30B5-02412	塞 Plug	1	
15	GB879-76	弹性圆柱销4×40 Pin, lock	1	

微动阀 (液力式)  
Inching valve (tor-con type)



## 微动阀 (液力式)

## Inching valve (tor-con type)

序号 Item	零件号 Part No	零部件名称 Description	数量 Q'ty	备注 Remark
	A30B5-02500	微动阀总成 Inching valve ass'y	1	
1	GB/T893. 1-2000	挡圈 Snap ring	1	
2	A30B5-02501	阀体 Body, valve	1	
3	A30B5-02502	卷杆 Spool	1	
4	A30B5-02503	滑阀 Slide valve	1	
5	GB/T3452. 1-2000	O形圈23.6×2. 65 O-ring	1	
6	A30B5-02504	油堵 Seal, oil	1	
7	GB/T893. 1-2000	挡圈28 Snap ring	1	
8	A30B5-02505	微动弹簧 $\phi 1.2 \times D9.2 \times 30$ Spring	1	
9	A30B5-02506	微动弹簧 $\phi 3 \times D22.9 \times 87.4$ Spring	1	
10	A30B5-02507	垫块 Spacer	1	
11	A30B5-02509	油封 $\phi 30 \times 16 \times 7$ Seal, oil	1	
12	A30B5-02508	油塞 Plug,choke	1	
13	Q/ZB285-77	螺塞 Z1/8 " Plug	2	