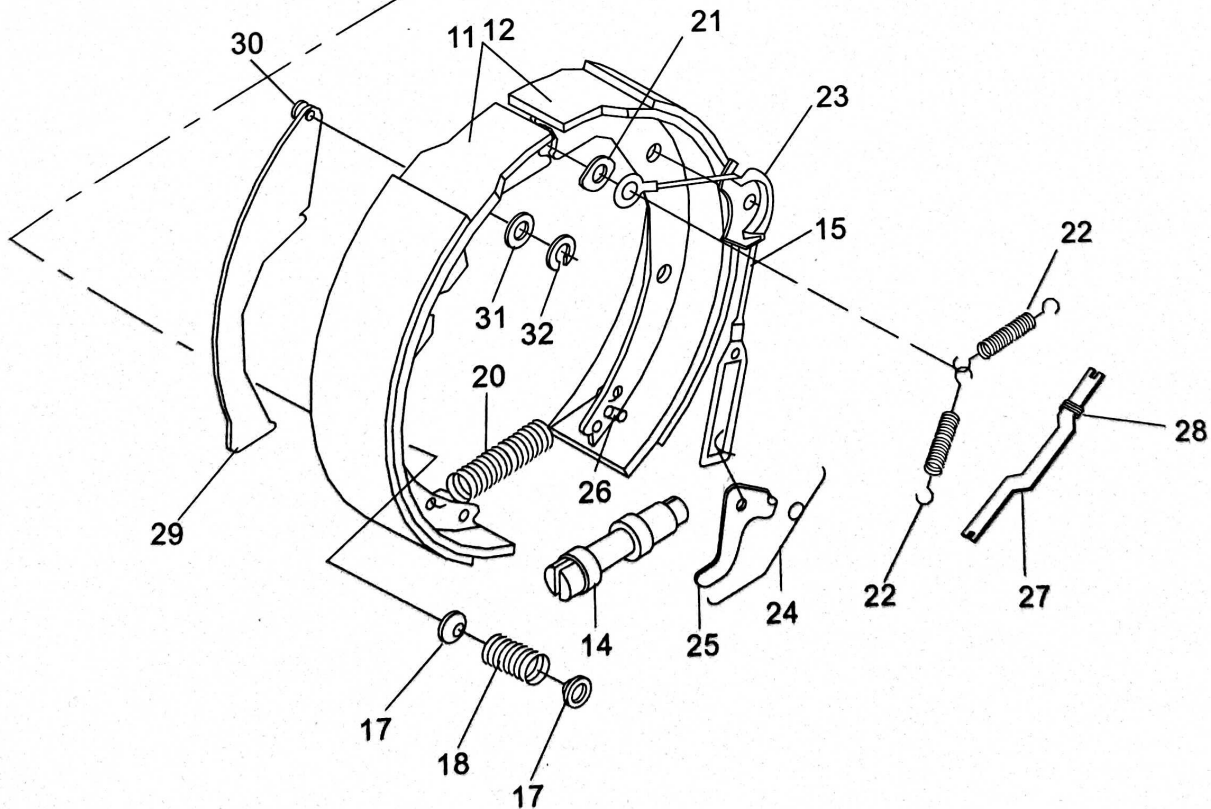
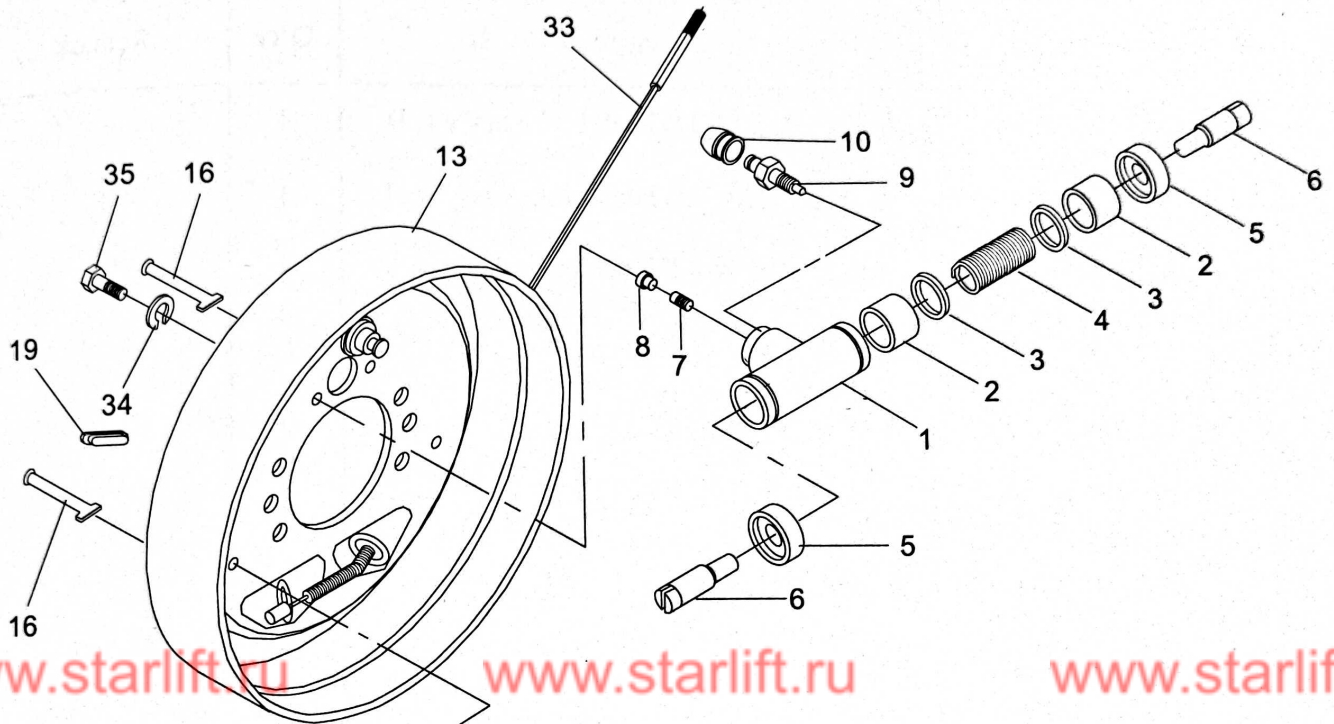


GOODSENSE

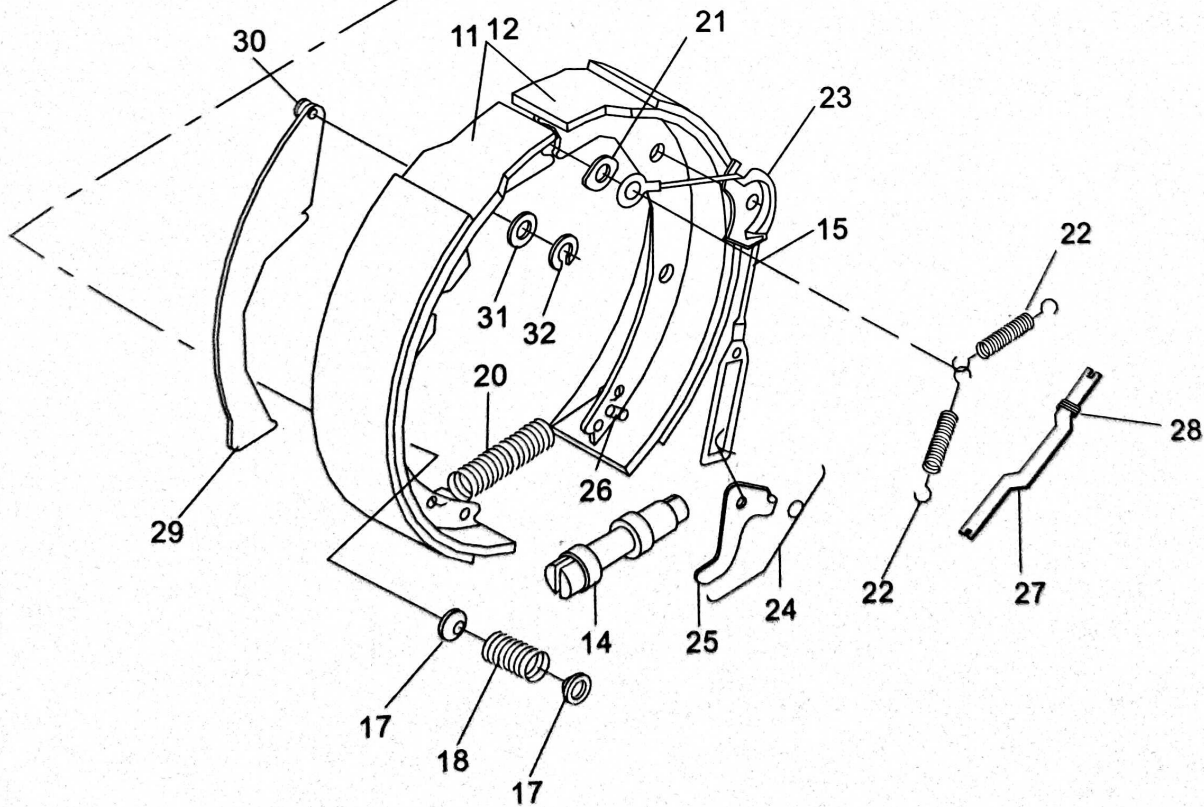
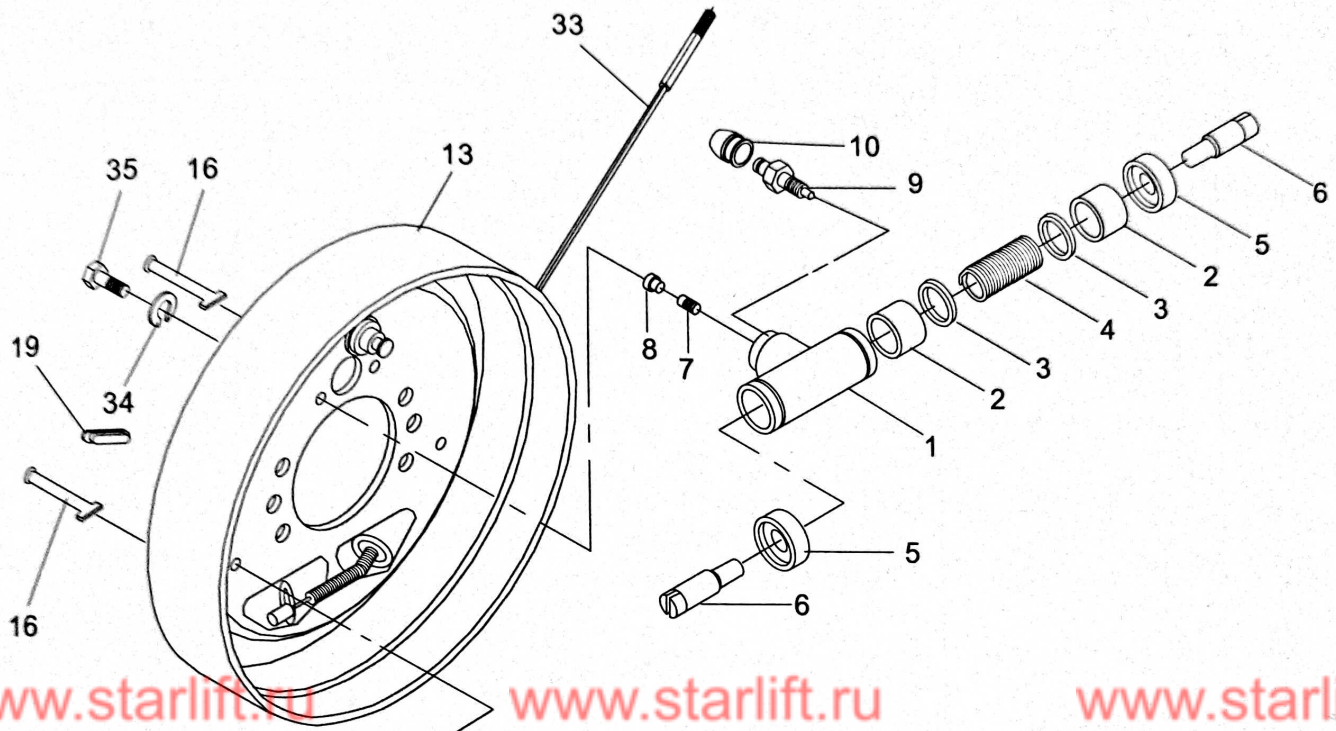
轮式制动器 Wheel brake



轮式制动器
Wheel brake

序号 Item	零件号 Part No	零部件名称 Description	数量 Q'ty	备注 Remark
A	A15A5-00400	制动器总成(左) Wheel brake ass'y L.H.	1	
-	A15A5-00500	制动器总成(右) Wheel brake ass'y R.H.	1	
B	A15A5-00600	制动分泵总成 Wheel cylinder ass'y	1	
1	A15A5-00601	制动分泵缸 Cylinder	2	
2	A15A5-00602	分泵活塞 Piston	4	
3	A15A5-00603	分泵皮碗 Cup, piston	4	
4	A15A5-00604	分泵弹簧 Spring	2	
5	A15A5-00605	分泵护罩 Cover, dust	4	
6	A15A5-00606	分泵活塞顶杆 Rod, piston	4	
7	A15A5-00607	制动分泵活塞 Plug	2	
8	A15A5-00608	螺纹防护罩 Shroud	2	
9	A15A5-00609	分泵放气螺钉 Screw, breather	2	
10	A15A5-00610	分泵放气螺钉帽 Cap, screw	2	
11	A15A5-00611	制动蹄带摩擦片总成 (前) Pin, shoe & lining ass'y (Front)	2	
12	A15A5-00612	制动蹄带摩擦片总成 (后) Pin, shoe & lining ass'y (Rear)	2	
13	A15A5-00613	制动器底板总成 Back plate	2	
14	A15A5-00614	间隙调整器 Clearance adjuster	2	
15	A15A5-00615	弹簧拉线装置 Spring & Fitting ass'y	2	

轮式制动器
Wheel brake



轮式制动器
Wheel brake

序号 Item	零件号 Part No	零部件名称 Description	数量 Q'ty	备注 Remark
		压簧拉杆 Pull rod,compression spring	4	
16	A15A5-00616	压簧座 Compression spring seat	8	
17	A15A5-00617	压簧 Compression spring	4	
18	A15A5-00618	胶堵 Cover, adjdusting hole	4	
19	A15A5-00619	回位弹簧 Return Spring	2	
20	A15A5-00620	导向板 Guide, plate	2	
21	A15A5-00621	制动蹄回位弹簧Return spring, brake shoe	4	
22	A15A5-00622	导向块 Guide, cable	2	
23	A15A5-00623	弹簧 Spring	2	
24	A15A5-00624	棘爪 Pawl	2	
25	A15A5-00625	销钉 Pin	2	
26	A15A5-00626	手制动推杆 Push rod, hand braking	2	
27	A15A5-00627	弹簧 Spring	2	
28	A15A5-00628	手制动拉杆 Rod	2	
29	A15A5-00629	销钉 Pin	2	
30	A15A5-00630	弹性垫片 Washer, spring	2	
31	A15A5-00631	杆销挡圈 Snap, ring, pin axle	2	
32	A15A5-00632	制动钢锁总成(左) Brake Cable ass'y L. H	1	
33	A15A5-00633	制动钢锁总成(右) Brake Cable ass'y R. H	1	
34	GB93-87	垫圈6 Washer	4	
35	GB5782-86	螺栓M6×16 Bolt	4	